

# 2020



23624 Roseberry Ave Warren, MI 48089

586-777-7167 fax 586-777-7947

[www.DetroitMuscleTechnologies.com](http://www.DetroitMuscleTechnologies.com)

## **70-74 E BODY RESTORATION GASKETS**

**70-74 AAR, Barracuda, Cuda**

**70-74 Challenger, T/A**

**Goto [www. DetroitMuscleTechnologies.com](http://www.DetroitMuscleTechnologies.com) for  
the latest prices and new items!**

**Whats new...**

NEW DMT Hood Insulation Pads

NEW DMT Under-dash Shoddy Pad Insulation

NEW DMT Mega Firewall Gasket Kits

NEW IMPROVED DMT Firewall / kickpanel insulation kits

**Ask for our Mega Gasket List for your year/model when restoring your car**

# E Body 70-74 Barracuda Challenger

## Installation notes

Suggestions for replacing gaskets

- **Save old gaskets**

Recommend saving all seals and gaskets till your restoration is complete. This way you can verify the gasket / seals received match your originals. IF there are any difference between your originals and our kit I would be interested in hearing about it. I'm always learning.  
Contact me at [jamesfillmore@detroitmuscletechnologies.com](mailto:jamesfillmore@detroitmuscletechnologies.com)

- **Pictures**

Highly recommended to take digital pictures when removing old parts/gaskets.

- **Adhesives**

All gaskets can be attached using one of two adhesives.

For the gray charcoal foams or for applications where you don't want to "see" the adhesive, use 3M 77 Spray Adhesive. Available at most chain craft stores.

For all gray foam rubber (like taillight lense to housing gaskets) or any black foam rubber (like air grabber door to hood seals) use 3M Black Weatherstrip Adhesive. Available at most chain auto parts stores. Chrysler used very thin beads of this weatherstrip adhesive to hold gaskets in place during assembly. It's not necessary to provide a seal and will make cleaning or replacement difficult in the future. On any of the lamp lense gaskets I personally wouldn't use adhesive.



23624 Roseberry Ave Warren, MI 48089 586-777-7167 fax 586-777-7947  
[www.DetroitMuscleTechnologies.com](http://www.DetroitMuscleTechnologies.com)

## E Body 70-74 Barracuda Challenger

### **BIG & MEGA Gasket Sets**

We have MEGA gasket sets for each car model in either Non A/C or A/C versions. These kits combine the pieces commonly purchased when doing a repaint or restoration as well as offering an approx 10% combined discount.

Prices for these kits are at the bottom of the respective Paint Gasket Set pages.

### **Mega Restoration Kits - include the following;**

- Paint gasket set
- Non firewall gasket set
- BIG Heater box resto kit
- Engine well splash shields
- Firewall insulation set with OEM style pins
- Kickpanel insulation set
- Under dash shoddy pad
- 5pc Weatherstrip set
- Mega body plug and bumper set

### **Not included but optional;**

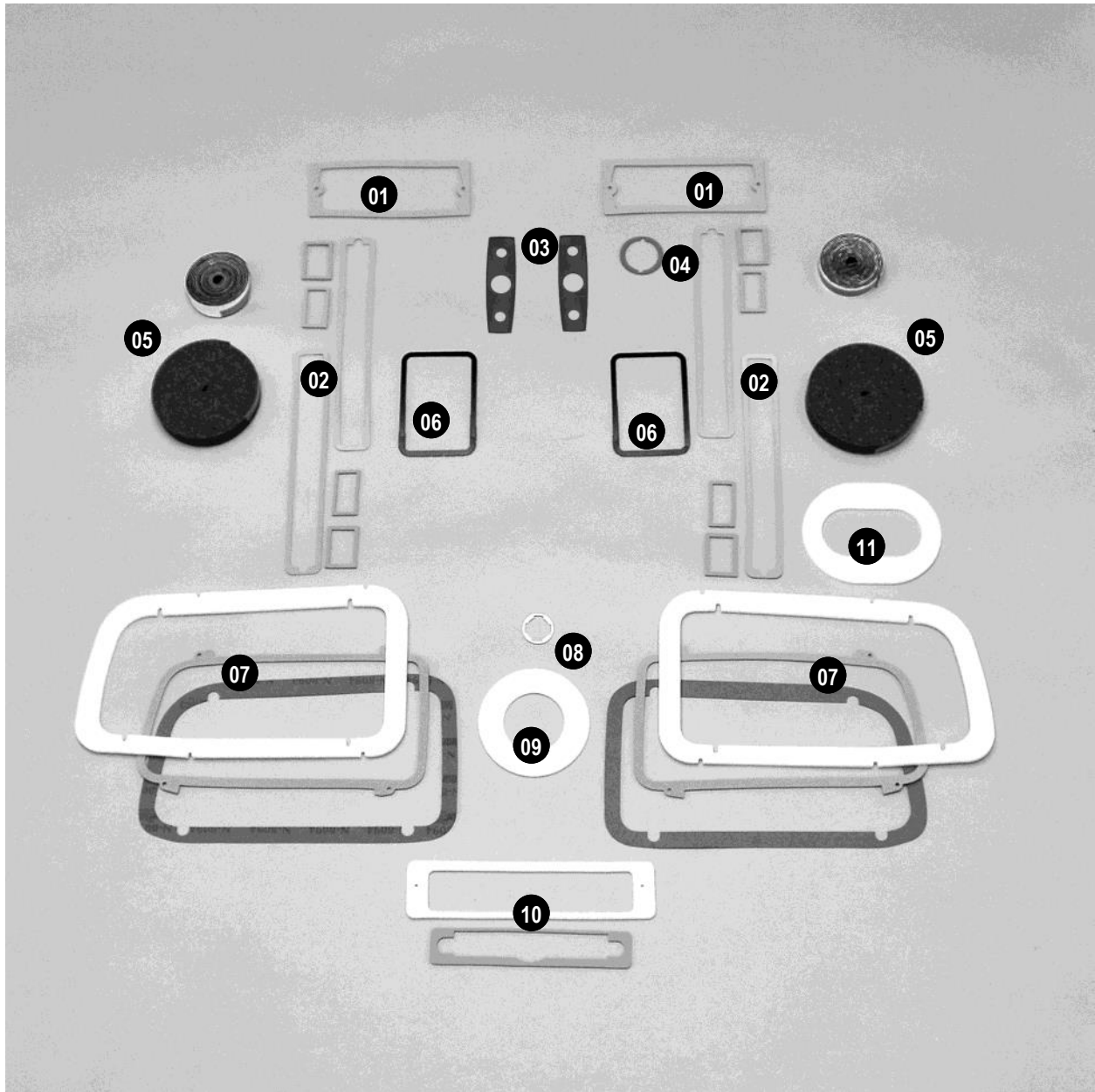
- Hood to radiator seals (with SS clip set)
- Hood to cowl seals with pre-installed clips





# E Body 70-74 Barracuda Challenger

70 Barracuda Exterior / Paint Gasket Set ECU7070PK01 \$78.00



23624 Roseberry Ave Warren, MI 48089 586-777-7167 fax 586-777-7947  
[www.DetroitMuscleTechnologies.com](http://www.DetroitMuscleTechnologies.com)

# E Body 70-74 Barracuda Challenger

## 70 Barracuda Exterior / Paint Set Gaskets

01	70 Barracuda parking light gaskets (pair)	ECU7070PL01	\$8.00
02	70-71 Barracuda side marker gaskets (set)	ECU7071SM01	\$15.00
03	70 E Body rallye mirror gaskets (pair)	EXX7070MI01	\$10.00
04	68-76 Antenna gasket	GEN6876AN01	\$1.00
05	70-74 E body & 71-74 (late) B Body weathers-strip channel and drip rail seal foam strips (4 rolls)	ELB7074DR01	\$20.00
06	70-74 E body plastic door handle gaskets (pair)	EXX7074DH01	\$6.00
07	70-71 Barracuda taillight & bezel gasket set	ECU7071TL01	\$30.00
07a	- outer housing to body gasket (white poly foam)	ECU7071TL02	\$10.00
07b	- inner lense to housing gasket (gray foam rubber)	ECU7071TL03	\$15.00
07c	- bezel to tail panel gaskets (gray treated paper)	ECU7071TL04	\$10.00
08	62-72 Trunk lock gasket (small gray plastic, 72-76 is different / larger)	GEN6272LK01	\$1.00
09	70-74 Barracuda fuel filler tube to tail panel gasket	ECU7074FF01	\$2.00
10	70-74 Barracuda license plate light gasket set	ECU7074LP01	\$8.00
10a	- outer housing to body gasket (white poly foam)	ECU7074LP02	\$2.00
10b	- inner lense to housing gasket (gray foam rubber)	ECU7074LP03	\$6.00

**NOTE: We also have to following for your make / model;**

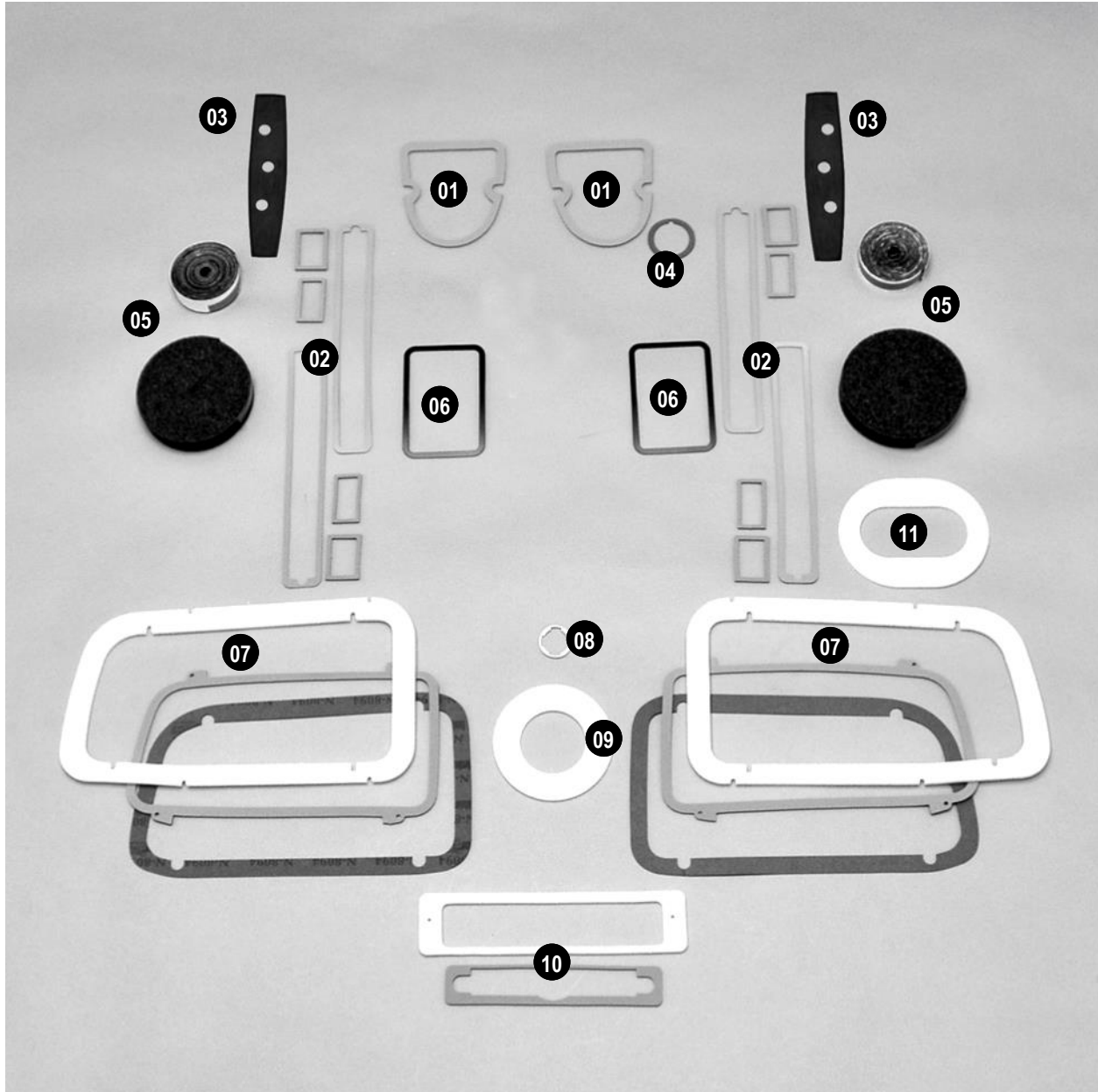
- A/C & Non A/C Firewall gasket sets
- A/C & Non A/C Heater box restoration gasket kits
- Firewall insulation, kickpanel insulation, shoddy pad
- Rubber splash shields sets



23624 Roseberry Ave Warren, MI 48089 586-777-7167 fax 586-777-7947  
[www.DetroitMuscleTechnologies.com](http://www.DetroitMuscleTechnologies.com)

# E Body 70-74 Barracuda Challenger

71 Barracuda Exterior / Paint Gasket Set ECU7171PK01 \$78.00



23624 Roseberry Ave Warren, MI 48089 586-777-7167 fax 586-777-7947  
[www.DetroitMuscleTechnologies.com](http://www.DetroitMuscleTechnologies.com)

# E Body 70-74 Barracuda Challenger

## 71 Barracuda Exterior / Paint Set Gaskets

01	71 Barracuda parking light gaskets (pair)	ECU7171PL01	\$8.00
02	70-71 Barracuda side marker gaskets (set)	ECU7071SM01	\$15.00
03	71-74 E Body rallye mirror gaskets (pair)	EXX7174MI01	\$10.00
04	68-76 Antenna gasket	GEN6876AN01	\$1.00
05	70-74 E body & 71-74 (late) B Body weathers-strip channel and drip rail seal foam strips (4 rolls)	ELB7074DR01	\$20.00
06	70-74 E body plastic door handle gaskets (pair)	EXX7074DH01	\$6.00
07	70-71 Barracuda taillight & bezel gasket set	ECU7071TL01	\$30.00
07a	- outer housing to body gasket (white poly foam)	ECU7071TL02	\$10.00
07b	- inner lense to housing gasket (gray foam rubber)	ECU7071TL03	\$15.00
07c	- bezel to tail panel gaskets (gray treated paper)	ECU7071TL04	\$10.00
08	62-72 Trunk lock gasket (small gray plastic, 72-76 is different / larger)	GEN6272LK01	\$1.00
09	70-74 Barracuda fuel filler tube to tail panel gasket	ECU7074FF01	\$2.00
10	70-74 Barracuda license plate light gasket set	ECU7074LP01	\$8.00
10a	- outer housing to body gasket (white poly foam)	ECU7074LP02	\$2.00
10b	- inner lense to housing gasket (gray foam rubber)	ECU7074LP03	\$6.00

**NOTE: We also have to following for your make / model;**

- A/C & Non A/C Firewall gasket sets
- A/C & Non A/C Heater box restoration gasket kits
- Firewall insulation, kickpanel insulation, shoddy pad
- Rubber splash shields sets



23624 Roseberry Ave Warren, MI 48089 586-777-7167 fax 586-777-7947  
[www.DetroitMuscleTechnologies.com](http://www.DetroitMuscleTechnologies.com)



# E Body 70-74 Barracuda Challenger

72-74 Barracuda Exterior / Paint Gasket Set ECU7274PK01 \$63.00



23624 Roseberry Ave Warren, MI 48089 586-777-7167 fax 586-777-7947  
[www.DetroitMuscleTechnologies.com](http://www.DetroitMuscleTechnologies.com)

# E Body 70-74 Barracuda Challenger

## 72-74 Barracuda Paint Set Gaskets

01	72-74 Barracuda parking light gaskets (pair)	ECU7274PL01	\$8.00
02	72-76 Generic side marker gaskets (set)	GEN7276SM01	\$6.00
03	71-74 E Body rallye mirror gaskets (pair)	EXX7174MI01	\$10.00
04	68-76 Antenna gasket	GEN6876AN01	\$1.00
05	70-74 E body & 71-74 (late) B Body weathers-strip channel and drip rail seal foam strips (4 rolls)	ELB7074DR01	\$20.00
06	70-74 E body plastic door handle gaskets (pair)	EXX7074DH01	\$6.00
07	72-74 Barracuda taillight gasket set (black poly foam)	ECU7274TL01	\$20.00
08a	62-72 Trunk lock gasket (small gray plastic)	GEN6272LK01	\$1.00
08b	73-76 Trunk lock gasket (large gray plastic)	GEN7376LK01	\$1.00
09	70-74 Barracuda fuel filler tube to tail panel gasket	ECU7074FF01	\$2.00
10	70-74 Barracuda license plate light gasket set	ECU7074LP01	\$8.00
10a	- outer housing to body gasket (white poly foam)	ECU7074LP02	\$2.00
10b	- inner lense to housing gasket (gray foam rubber)	ECU7074LP03	\$6.00

**NOTE: We also have to following for your make / model;**

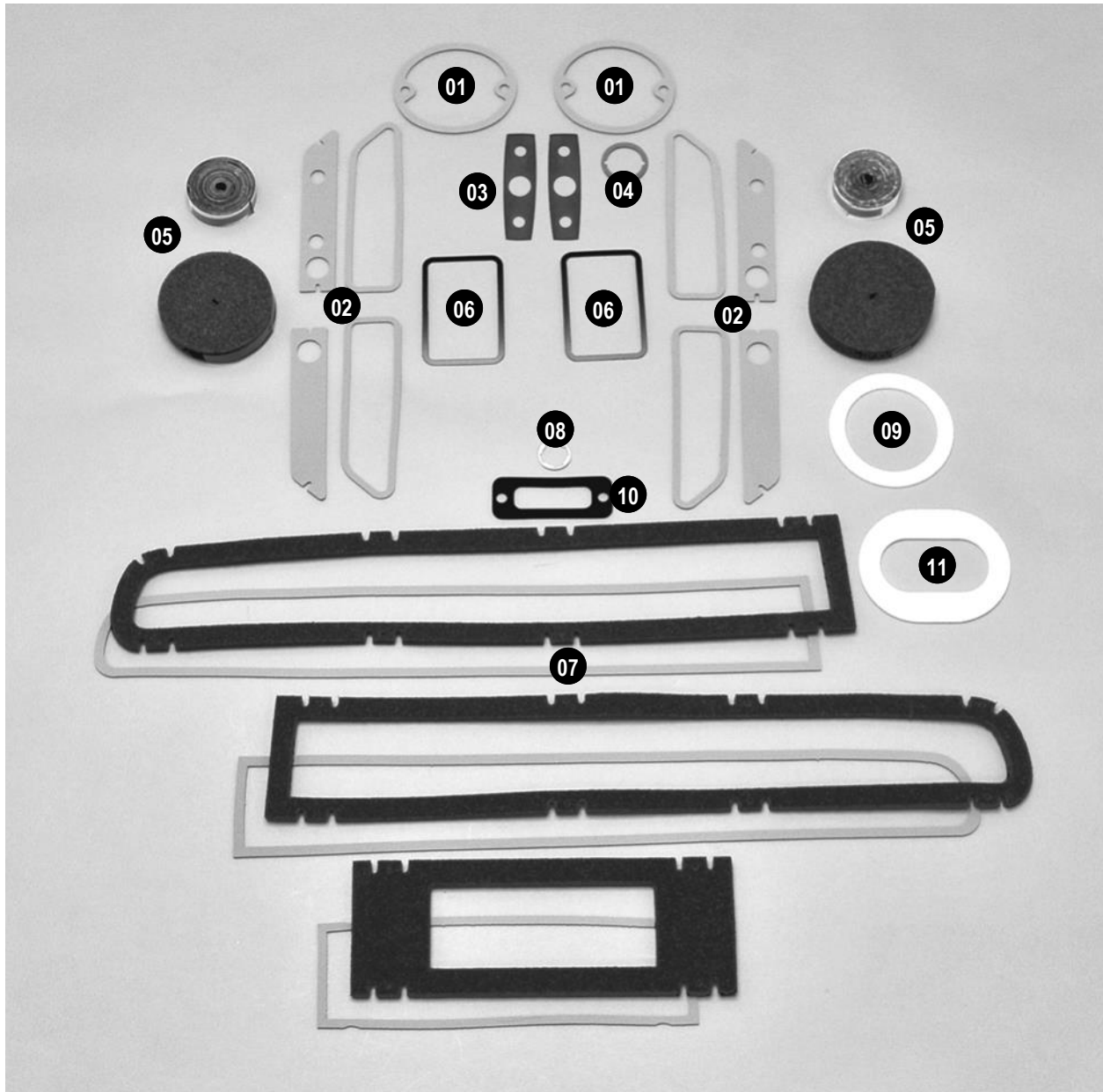
- A/C & Non A/C Firewall gasket sets
- A/C & Non A/C Heater box restoration gasket kits
- Firewall insulation, kickpanel insulation, shoddy pad
- Rubber splash shields sets



23624 Roseberry Ave Warren, MI 48089 586-777-7167 fax 586-777-7947  
[www.DetroitMuscleTechnologies.com](http://www.DetroitMuscleTechnologies.com)

# E Body 70-74 Barracuda Challenger

70 Challenger Exterior / Paint Gasket Set ECH7070PK01 \$76.00



23624 Roseberry Ave Warren, MI 48089 586-777-7167 fax 586-777-7947  
[www.DetroitMuscleTechnologies.com](http://www.DetroitMuscleTechnologies.com)

# E Body 70-74 Barracuda Challenger

## 70 Challenger Paint Set Gaskets

01	70-74 Challenger parking light gaskets (pair)	ECH7074PL01	\$8.00
02	70-71 Challenger side marker gaskets (set)	ECH7071SM01	\$15.00
03	70 E Body rallye mirror gaskets (pair)	EXX7070MI01	\$10.00
04	68-76 Antenna gasket	GEN6876AN01	\$1.00
05	70-74 E body & 71-74 (late) B Body weathers-strip channel and drip rail seal foam strips (4 rolls)	ELB7074DR01	\$20.00
06	70-74 E body plastic door handle gaskets (pair)	EXX7074DH01	\$6.00
07	70-71 Challenger taillight gasket set	ECH7070TL01	\$30.00
07a	- outer housing to body gaskets (black poly foam)	ECH7070TL02	\$15.00
07b	- inner lense to housing gaskets (gray foam rubber)	ECH7070TL03	\$15.00
08	62-72 Trunk lock gasket (small gray plastic, 72-76 is different / larger)	GEN6272LK01	\$1.00
09	70-74 Challenger fuel filler tube to quarter panel gasket	ECH7074FF01	\$2.00
10	65-74 Generic license plate light gasket (65-67 Belv, Coronet, Polara, Fury 68-74 Charger, Coronet, 67-72 Dart, 67-69 Barracuda, 70-74 Challenger)	GEN6574LP01	\$1.00

**NOTE: We also have to following for your make / model;**

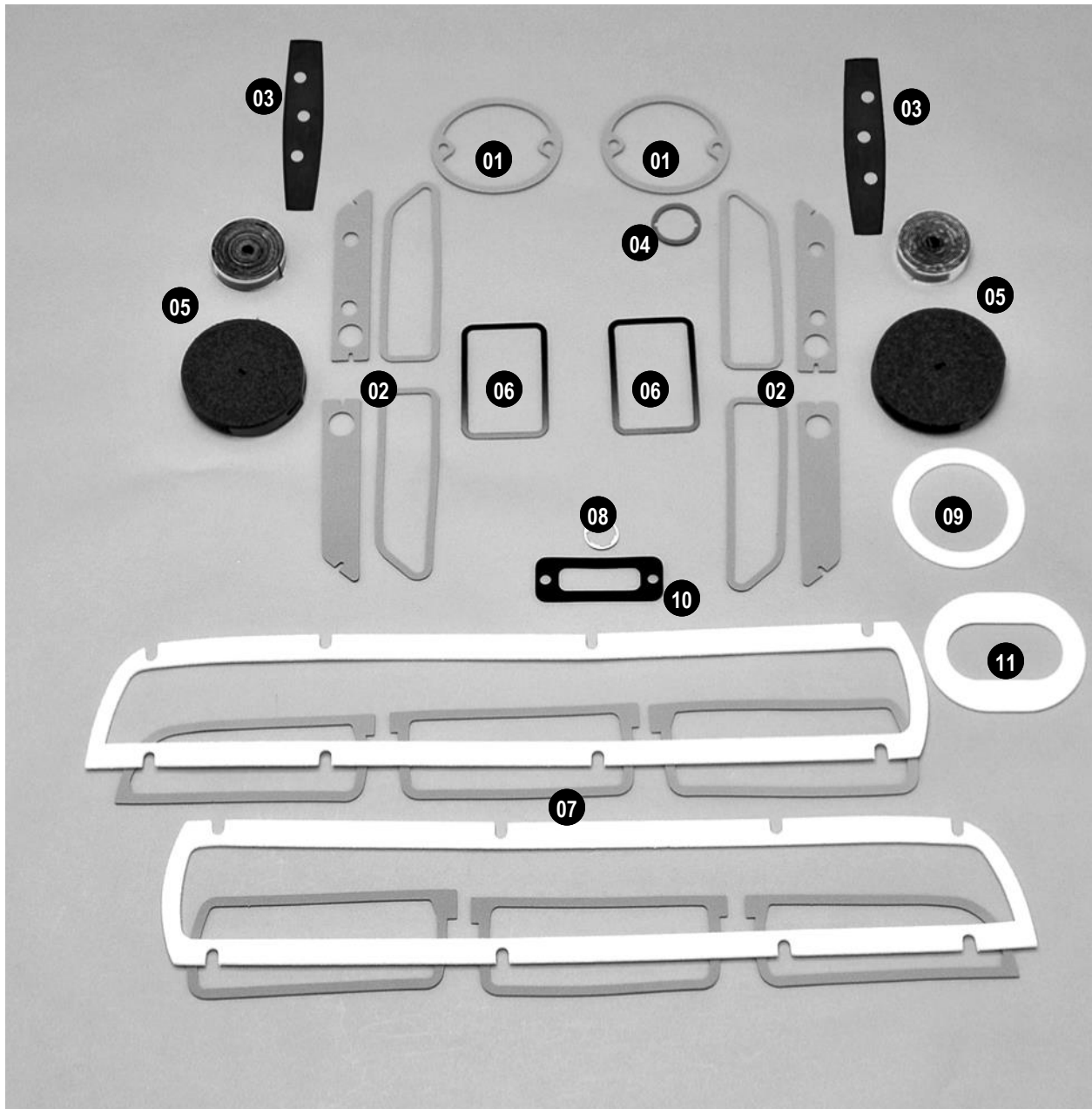
- A/C & Non A/C Firewall gasket sets
- A/C & Non A/C Heater box restoration gasket kits
- Firewall insulation, kickpanel insulation, shoddy pad
- Rubber splash shields sets



23624 Roseberry Ave Warren, MI 48089 586-777-7167 fax 586-777-7947  
[www.DetroitMuscleTechnologies.com](http://www.DetroitMuscleTechnologies.com)

# E Body 70-74 Barracuda Challenger

71 Challenger Exterior / Paint Gasket Set ECH7171PK01 \$76.00



# E Body 70-74 Barracuda Challenger

## 71 Challenger Paint Set Gaskets

01	70-74 Challenger parking light gaskets (pair)	ECH7074PL01	\$8.00
02	70-71 Challenger side marker gaskets (set)	ECH7071SM01	\$15.00
03	71-74 E Body rallye mirror gaskets (pair)	EXX7171MI01	\$10.00
04	68-76 Antenna gasket	GEN6876AN01	\$1.00
05	70-74 E body & 71-74 (late) B Body weathers-strip channel and drip rail seal foam strips (4 rolls)	ELB7074DR01	\$20.00
06	70-74 E body plastic door handle gaskets (pair)	EXX7074DH01	\$6.00
07	70-71 Challenger taillight gasket set	ECH7171TL01	\$28.00
07a	- outer housing to body gaskets (white poly foam)	ECH7171TL02	\$13.00
07b	- inner lense to housing gaskets (gray foam rubber)	ECH7171TL03	\$15.00
08	62-72 Trunk lock gasket (small gray plastic, 72-76 is different / larger)	GEN6272LK01	\$1.00
09	70-74 Challenger fuel filler tube to quarter panel gasket	ECH7074FF01	\$2.00
10	65-74 Generic license plate light gasket (65-67 Belv, Coronet, Polara, Fury 68-74 Charger, Coronet, 67-72 Dart, 67-69 Barracuda, 70-74 Challenger)	GEN6574LP01	\$1.00

**NOTE: We also have to following for your make / model;**

- A/C & Non A/C Firewall gasket sets
- A/C & Non A/C Heater box restoration gasket kits
- Firewall insulation, kickpanel insulation, shoddy pad
- Rubber splash shields sets



23624 Roseberry Ave Warren, MI 48089 586-777-7167 fax 586-777-7947  
[www.DetroitMuscleTechnologies.com](http://www.DetroitMuscleTechnologies.com)

# E Body 70-74 Barracuda Challenger

72-74 Challenger Exterior / Paint Gasket Set ECH7274PK01 \$72.00



23624 Roseberry Ave Warren, MI 48089 586-777-7167 fax 586-777-7947  
www.DetroitMuscleTechnologies.com

# E Body 70-74 Barracuda Challenger

## 72-74 Challenger Paint Set Gaskets

01	70-74 Challenger parking light gaskets (pair)	ECH7074PL01	\$8.00
02	72-78 Generic all models side marker gaskets (set)	GEN7278SM01	\$6.00
03	71-74 E Body rallye mirror gaskets (pair)	EXX7171MI01	\$10.00
04	68-76 Antenna gasket	GEN6876AN01	\$1.00
05	70-74 E body & 71-74 (late) B Body weathers-strip channel and drip rail seal foam strips (4 rolls)	ELB7074DR01	\$20.00
06	70-74 E body plastic door handle gaskets (pair)	EXX7074DH01	\$6.00
07	72-74 Challenger taillight gasket set	ECH7274TL01	\$25.00
07a	- outer housing to body gaskets (thick white cross-linked foam)	ECH7274TL02	\$12.00
07b	- inner lense to housing gaskets (gray foam rubber)	ECH7274TL03	\$13.00
08	62-72 Trunk lock gasket (small gray plastic, 72-76 is different / larger)	GEN6272LK01	\$1.00
09	70-74 Challenger fuel filler tube to quarter panel gasket	ECH7074FF01	\$2.00
10	65-74 Generic license plate light gasket (65-67 Belv, Coronet, Polara, Fury 68-74 Charger, Coronet, 67-72 Dart, 67-69 Barracuda, 70-74 Challenger)	GEN6574LP01	\$1.00
11	72-74 Challenger taillight bezel gaskets (black plastic anti abrasion piece to protect tailpanel from taillight housing)	ECH7274TL04	\$10.00

**NOTE: We also have to following for your make / model;**

- A/C & Non A/C Firewall gasket sets
- A/C & Non A/C Heater box restoration gasket kits
- Firewall insulation, kickpanel insulation, shoddy pad
- Rubber splash shields sets

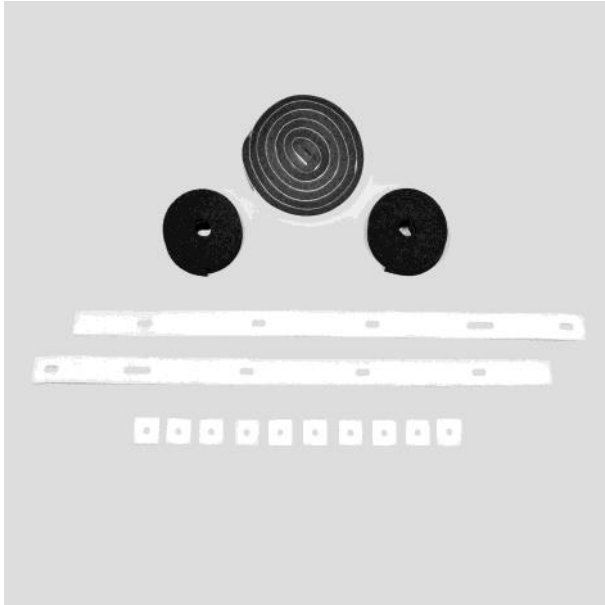


23624 Roseberry Ave Warren, MI 48089 586-777-7167 fax 586-777-7947  
[www.DetroitMuscleTechnologies.com](http://www.DetroitMuscleTechnologies.com)



# E Body 70-74 Barracuda Challenger

## 70-74 Challenger misc

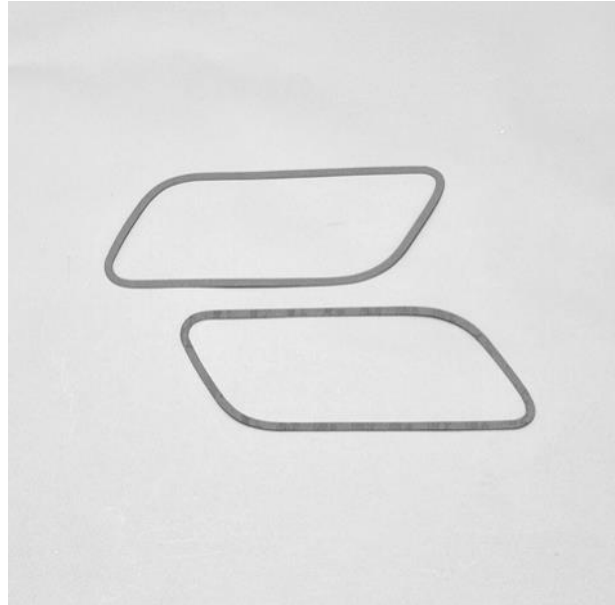


**EXX7071VK01**

**\$20.00**

**70-71 E body convertible top kit.**

White foams go between top and attachment points. Foam tape goes under windshield cap.



**ECH7074HI01**

**\$8.00**

**70-74 Challenger hood scoop insert to hood gaskets**

.032" gray treated paper gaskets between gender gill inserts and fender.



**GEN6874HP01**

**\$6.00**

**Hood Pin Bezel Gaskets**

For any model that used hood pins from 68-74. These are made from the correct, firm, textured rubber.



**ETA7070AC01**

**\$59.00**

**70 TA or AAR air cleaner base to hood seal**

Come with 11" piece of the special black tape for joining the ends and tube of weatherstrip adhesive



23624 Roseberry Ave Warren, MI 48089 586-777-7167 fax 586-777-7947  
[www.DetroitMuscleTechnologies.com](http://www.DetroitMuscleTechnologies.com)

# E Body 70-74 Barracuda Challenger

## 70-74 E body misc

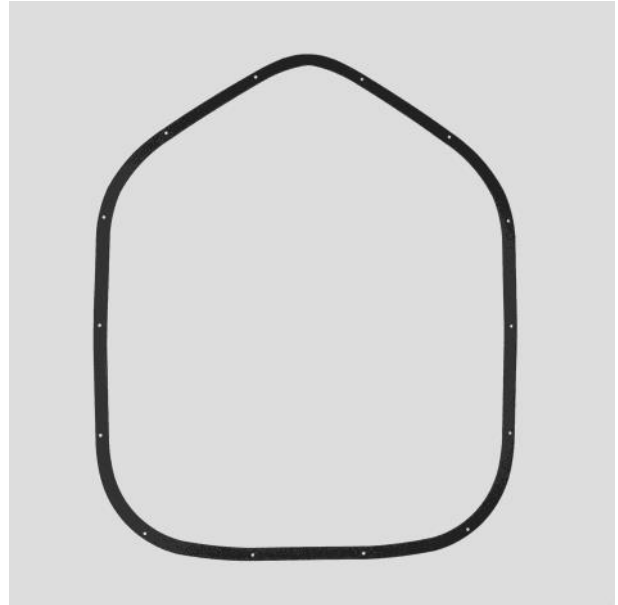


**EXX7074SP01**

**\$18.00**

**E Body 70-74 Under Cowl Shoddy Pad**

3/8" thick shoddy sound deadener insulation attached under cowl with 3M 90 spray adhesive



**EXX7071TR01**

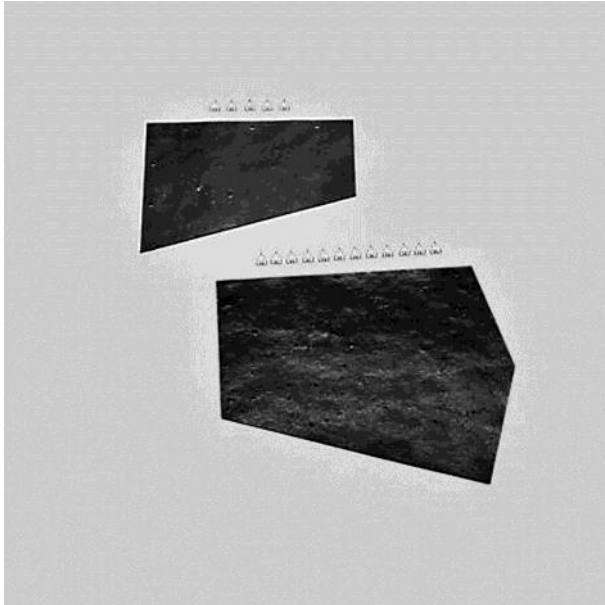
**\$49.00**

**70-71 Barracuda or Challenger shaker hood trim ring to hood seal**

.035" black ABS plastic like OEM

# E Body 70-74 Barracuda Challenger

## Splash shields



**EXX7070SS20**

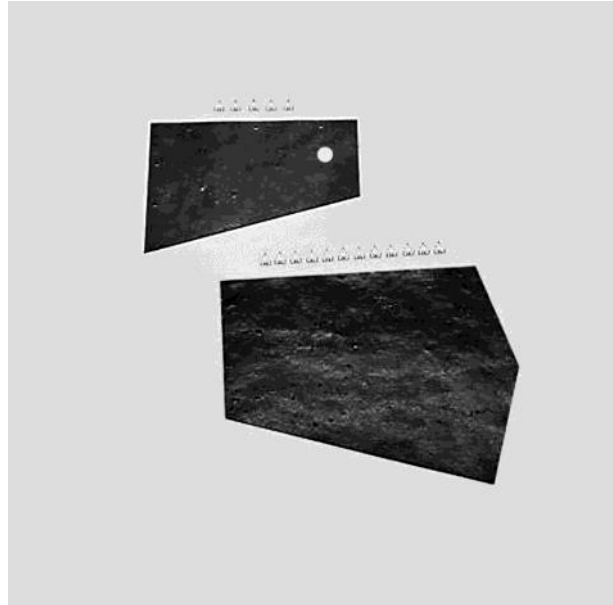
**\$18.00**

**70 ONLY Engine well splash shields**

Barracuda, Challenger

NOT 71-74 E Body

.093" masticated rubber with (17) clips



**EXX7174SS20**

**\$18.00**

**71-74 ONLY Engine well splash shields**

Barracuda, Challenger

NOT 70 E Body

.093" masticated rubber with (17) clips

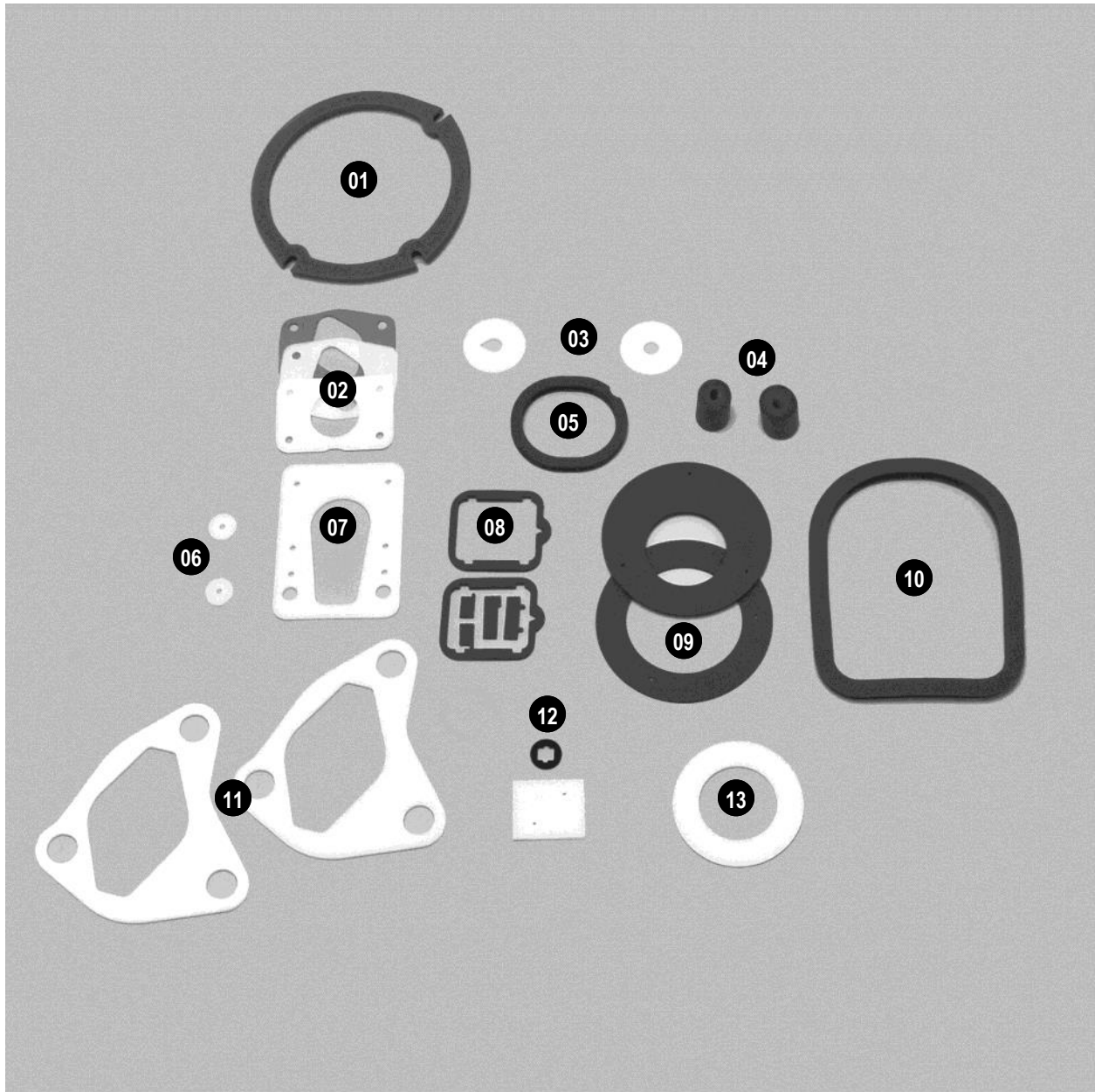


23624 Roseberry Ave Warren, MI 48089 586-777-7167 fax 586-777-7947  
[www.DetroitMuscleTechnologies.com](http://www.DetroitMuscleTechnologies.com)



# E Body 70-74 Barracuda Challenger

70-74 E Body Non A/C Firewall Gasket Set EXX7074FW01 \$30.00



23624 Roseberry Ave Warren, MI 48089 586-777-7167 fax 586-777-7947  
[www.DetroitMuscleTechnologies.com](http://www.DetroitMuscleTechnologies.com)

# E Body 70-74 Barracuda Challenger

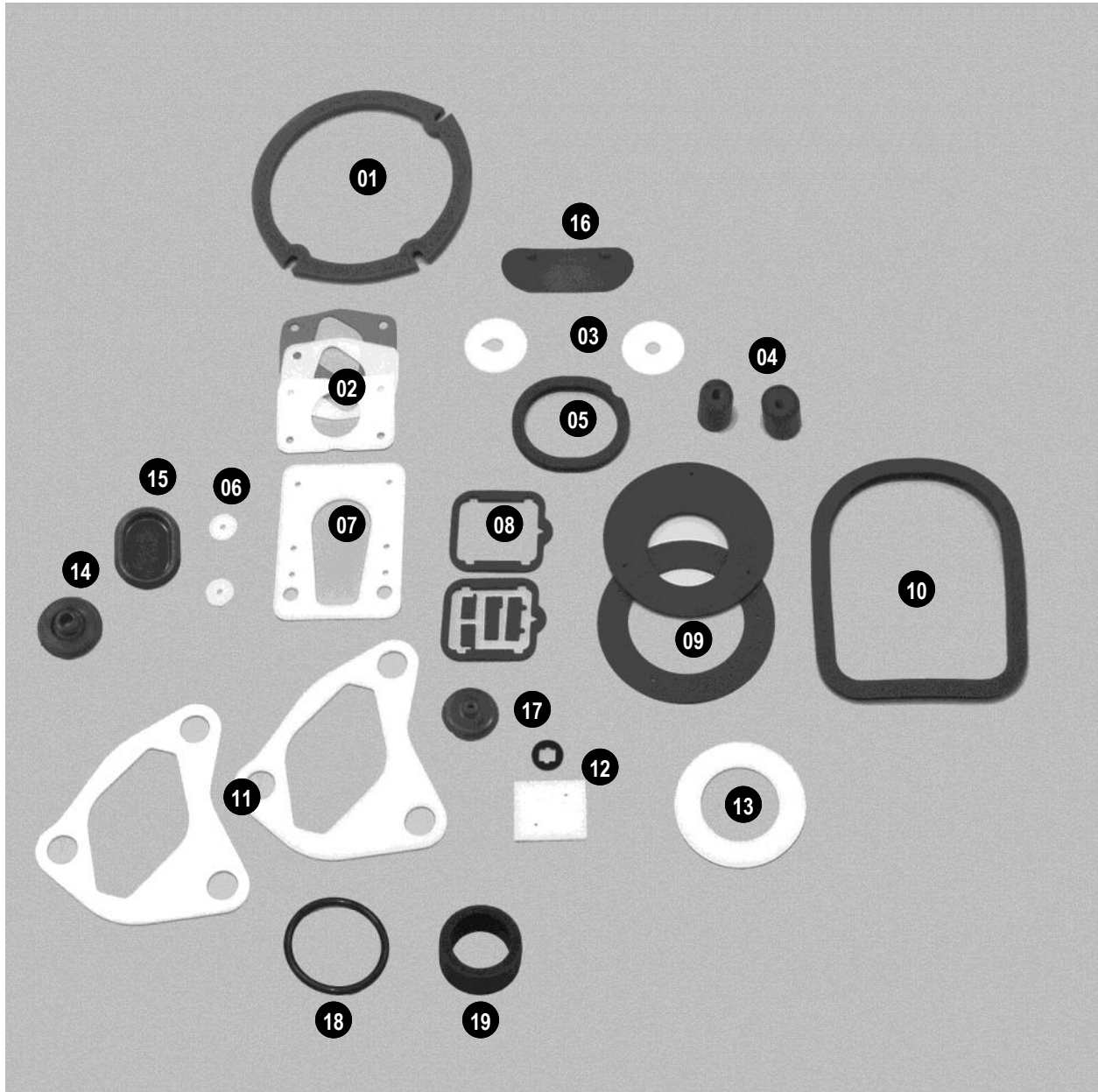
## 70-74 E Body BASIC Non A/C Firewall Gaskets

01	70-74 E Body & 71-74 (late) B Body fresh air vent to cowl seal	ELB7074FV01	\$4.00
02	Generic master cylinder gaskets set (3pcs to cover all different applications)	GEN6676MC01	\$6.00
03	70-74 E Body & 71-74 (late) B Body wiper pivot to cowl seals (white poly foam)	ELB7071WP01	\$4.00
04	70-74 E body & 71-74 (late) B Body heater core tubes to fire- wall seals (1 large, 1 small)		
05	Generic 2 Spd wiper motor to cowl seal (black foam rubber)	GEN6676WM01	\$3.00
06	Generic clutch pedal stud seals (pair white poly foam)		
07	70-74 E Body & 71-74 (late) B Body brake booster to firewall gasket (white poly foam)	ELB7074BB01	\$4.00
08	70-74 E Body & 71-74 (late) B Body electrical bulkhead con- nector seal set (black foam rubber)	ELB7074BH01	\$6.00
09a	70-74 E Body & 71-74 (late) B Body non A/C heater box blower motor to firewall seal (black foam rubber, large hole black foam, typically 72-74)	ELB7074HB22	\$4.00
09b	70-74 E Body & 71-74 (late) B Body non A/C heater box blow- er motor to firewall seal (black foam rubber, small hole black foam, typically 70-71)	ELB7074HB23	\$4.00
10	70-74 E Body & 71-74 (late) B Body non A/C heater box to cowl seal (1/2" thick "D" shaped black foam rubber)	ELB7074HB21	\$6.00
11a	70-71 E Body steering column to firewall seal (OEM style coarse white poly foam)	ELB7071SC01	\$4.00
11b	72-74 E Body & 71-72 (late) B Body steering column to fire- wall gasket (OEM style fine texture white poly foam)	ELB7274SC01	\$4.00
12	70-74 E Body & 71-74 (late) B Body accel pedal to firewall gasket (black foam rubber cable seal, white poly bracket to fire- wall)	ELB7074AP01	\$3.00
13	70-74 E Body & 71-74 (late) auto trans (slap stick) linkage to trans tunnel gasket (white poly foam)	ELB7074SL01	\$2.00



# E Body 70-74 Barracuda Challenger

70-74 E Body MEGA Non A/C Firewall Gaskets - AUTO EXX7074FW02-A \$62.00



23624 Roseberry Ave Warren, MI 48089 586-777-7167 fax 586-777-7947  
[www.DetroitMuscleTechnologies.com](http://www.DetroitMuscleTechnologies.com)

## E Body 70-74 Barracuda Challenger

### 70-74 E Body MEGA Non A/C Firewall Gaskets - AUTO

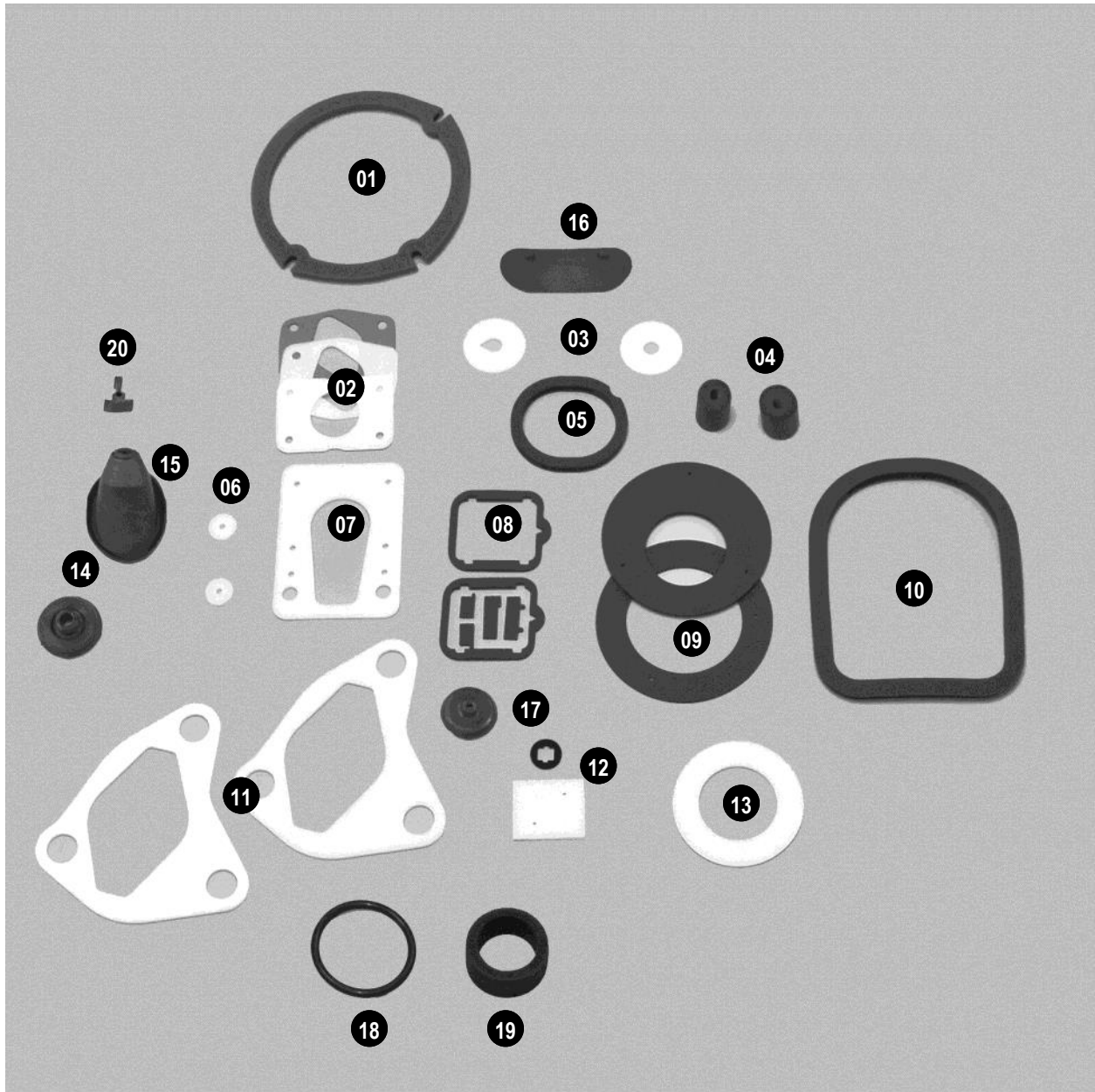
01	70-74 E Body & 71-74 (late) B Body fresh air vent to cowl seal	ELB7074FV01	\$4.00
02	Generic master cylinder gasket set (3pcs for all different applications)	GEN6676MC01	\$6.00
03	70-74 E Body & 71-74 (late) B Body wiper pivot to cowl seals (white poly foam)	ELB7071WP01	\$4.00
04	70-74 E body & 71-74 (late) B Body heater core tubes to fire- wall seals (1 large, 1 small)		
05	Generic 2spd wiper motor to cowl seal (black foam rubber)	GEN6676WM01	\$3.00
06	Generic clutch pedal stud seals (pair white poly foam)		
07	70-74 E Body & 71-74 (late) B Body brake booster to firewall gasket (white poly foam)	ELB7074BB01	\$4.00
08	70-74 E Body & 71-74 (late) B Body electrical bulkhead con- nector seal set (black foam rubber)	ELB7074BH01	\$6.00
09a	70-74 E Body & 71-74 (late) B Body non A/C heater box blower motor to firewall seal (black foam rubber, large hole black foam, typically 72-74)	ELB7074HB22	\$4.00
09b	70-74 E Body & 71-74 (late) B Body non A/C heater box blow- er motor to firewall seal (black foam rubber, small hole black foam, typically 70-71)	ELB7074HB23	\$4.00
10	70-74 E Body & 71-74 (late) B Body non A/C heater box to cowl seal (1/2" thick "D" shaped black foam rubber)	ELB7074HB21	\$6.00
11a	70-71 E Body steering column to firewall seal (OEM style coarse white poly foam)	ELB7071SC01	\$4.00
11b	72-74 E Body & 71-72 (late) B Body steering column to fire- wall gasket (OEM style fine texture white cross-linked foam)	ELB7274SC01	\$4.00
12	70-74 E Body & 71-74 (late) B Body accel pedal to firewall gasket (black foam rubber cable seal, white poly bracket to fire- wall)	ELB7074AP01	\$3.00
13	70-74 E Body & 71-74 (late) auto trans (slap stick) linkage to trans tunnel gasket (white poly foam)	ELB7074SL01	\$2.00
14	66-74 B & E Body Parking brake cable grommet	GEN6674PG01	\$14.95
15	66-74 All Clutch rod hole oval plug	GEN6674CH01	\$3.00
16	70-74 E Body (not 71-74 B) Body Drain flap	EXX7074DF01	\$5.00
17	66-76 All Speedo, shaker and air grabber cable grommet	GEN6676SG01	\$6.00
18	70-74 E Body & 71-74 (late) B Body Steering column to steer- ing column plate O-ring	ELB7074SC10	\$2.00
19	70-74 E Body & 71-74 (late) B Body Steering column end foam seal (prevents fumes from going up column)	ELB7074SC11	\$2.00





# E Body 70-74 Barracuda Challenger

70-74 E Body MEGA Non A/C Firewall Gaskets - MANUAL EXX7074FW02-M \$65.00



23624 Roseberry Ave Warren, MI 48089 586-777-7167 fax 586-777-7947  
[www.DetroitMuscleTechnologies.com](http://www.DetroitMuscleTechnologies.com)

# E Body 70-74 Barracuda Challenger

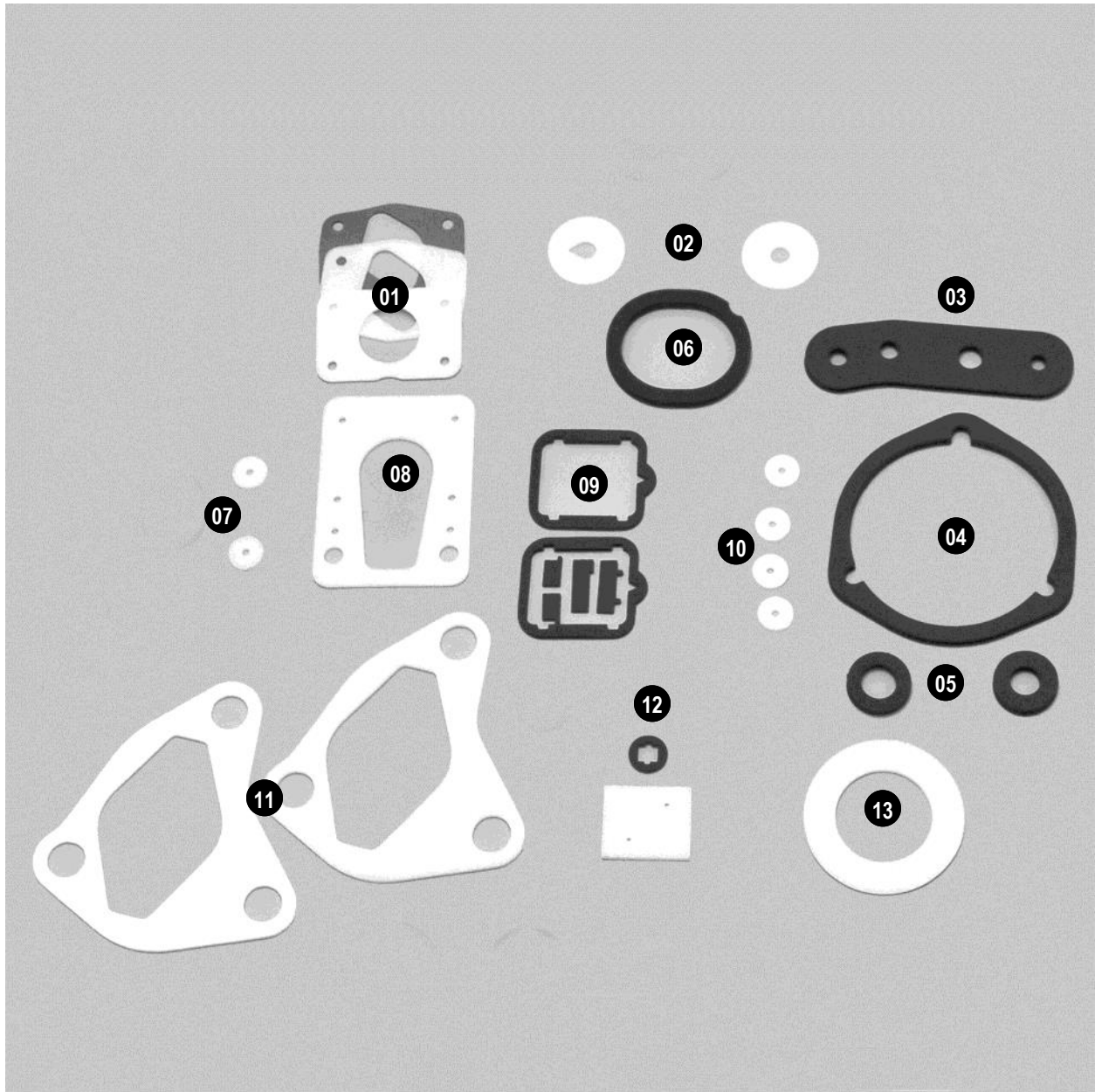
## 70-74 E Body MEGA Non A/C Firewall Gaskets - MANUAL

01	70-74 E Body & 71-74 (late) B Body fresh air vent to cowl seal	ELB7074FV01	\$4.00
02	Generic master cylinder gasket set (3pcs for all different applications)	GEN6676MC01	\$6.00
03	70-74 E Body & 71-74 (late) B Body wiper pivot to cowl seals (white poly foam)	ELB7071WP01	\$4.00
04	70-74 E Body & 71-74 (late) B Body heater core tubes to fire- wall seals (1 large, 1 small)		
05	Generic 2spd wiper motor to cowl seal (black foam rubber)	GEN6676WM01	\$3.00
06	Generic clutch pedal stud seals (pair white poly foam)		
07	70-74 E Body & 71-74 (late) B Body brake booster to firewall gasket (white poly foam)	ELB7074BB01	\$4.00
08	70-74 E Body & 71-74 (late) B Body electrical bulkhead con- nector seal set (black foam rubber)	ELB7074BH01	\$6.00
09a	70-74 E Body & 71-74 (late) B Body non A/C heater box blower motor to firewall seal (black foam rubber, large hole black foam, typically 72-74)	ELB7074HB22	\$4.00
09b	70-74 E Body & 71-74 (late) B Body non A/C heater box blow- er motor to firewall seal (black foam rubber, small hole black foam, typically 70-71)	ELB7074HB23	\$4.00
10	70-74 E Body & 71-74 (late) B Body non A/C heater box to cowl seal (1/2" thick "D" shaped black foam rubber)	ELB7074HB21	\$6.00
11a	70-71 E Body steering column to firewall seal (OEM style coarse white poly foam)	ELB7071SC01	\$4.00
11b	72-74 E Body & 71-72 (late) B Body steering column to fire- wall gasket (OEM style fine texture white cross-linked foam)	ELB7274SC01	\$4.00
12	70-74 E Body & 71-74 (late) B Body accel pedal to firewall gasket (black foam rubber cable seal, white poly bracket to fire- wall)	ELB7074AP01	\$3.00
13	70-74 E Body & 71-74 (late) auto trans (slap stick) linkage to trans tunnel gasket (white poly foam)	ELB7074SL01	\$2.00
14	66-74 B & E Body Parking brake cable grommet	GEN6674PG01	\$14.95
15	66-74 All Clutch rod boot	GEN6674CR01	\$6.00
16	70-74 E Body (not 71-74 B) Body Drain flap	EXX7074DF01	\$5.00
17	66-76 All Speedo, shaker and air grabber cable grommet	GEN6676SG01	\$6.00
18	70-74 E Body & 71-74 (late) B Body Steering column to steer- ing column plate O-ring	ELB7074SC10	\$2.00
19	70-74 E Body & 71-74 (late) B Body Steering column end foam seal (prevents fumes from going up column)	ELB7074SC11	\$2.00
20	66-74 All Clutch pedal bumper	GEN6674CP01	\$5.00



# E Body 70-74 Barracuda Challenger

70-74 E Body A/C Firewall Gasket Set EXX7074FW10 \$30.00



23624 Roseberry Ave Warren, MI 48089 586-777-7167 fax 586-777-7947  
[www.DetroitMuscleTechnologies.com](http://www.DetroitMuscleTechnologies.com)

# E Body 70-74 Barracuda Challenger

## E BODY

### 70-74 E Body A/C Firewall Gaskets

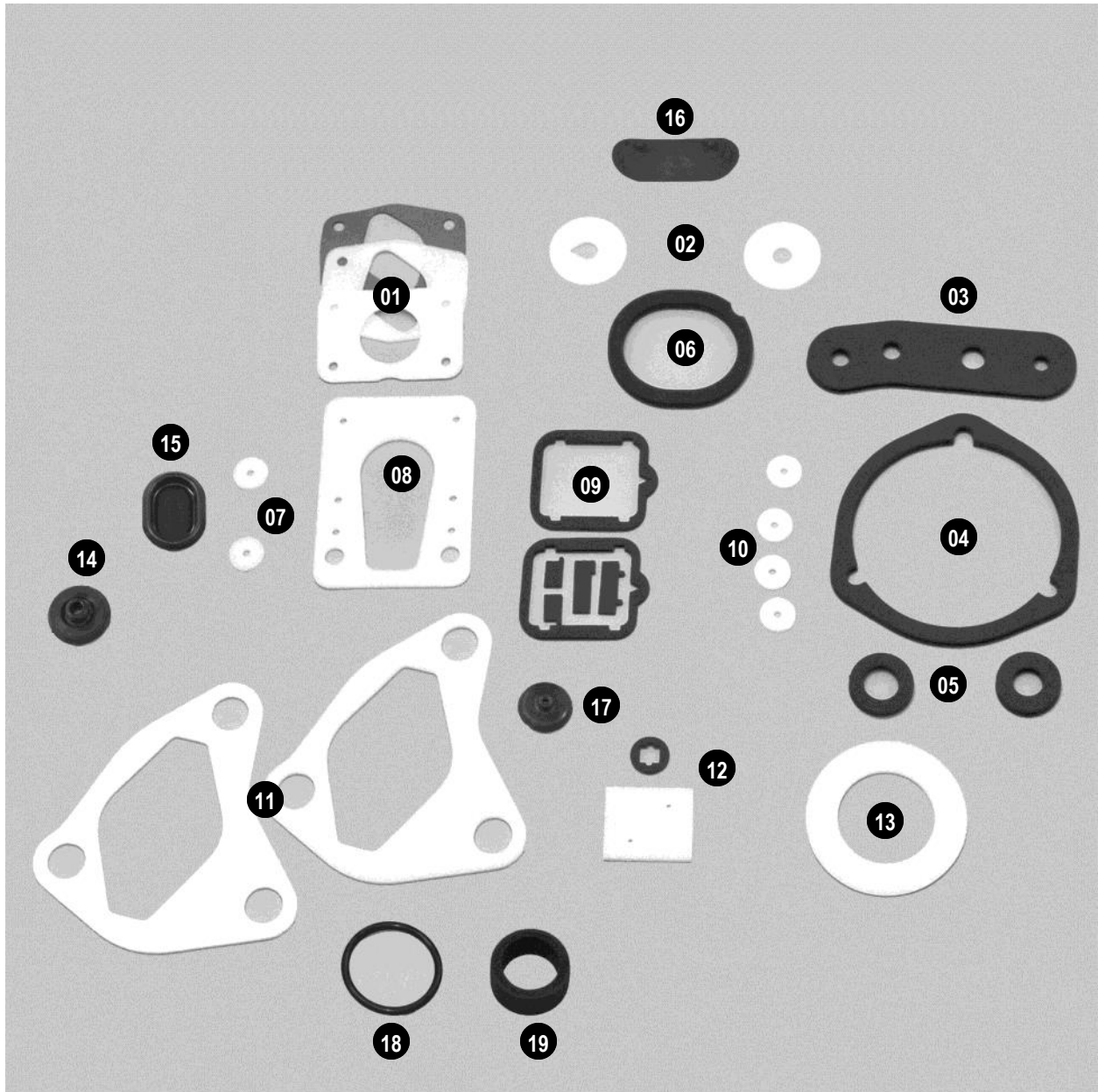
<b>01</b>	<b>Generic master cylinder gaskets set</b> (3pcs to cover all different applications)	<b>GEN6676MC01</b>	<b>\$6.00</b>
<b>02</b>	<b>70-74 E Body &amp; 71-74 (late) B Body wiper pivot to cowl seals</b> (white poly foam)	<b>ELB7071WP01</b>	<b>\$4.00</b>
<b>03</b>	<b>70-74 E body &amp; 71-74 (late) B Body A/C evaporator tubes to firewall seal</b> (black foam rubber)	<b>ELB7074HB32</b>	<b>\$6.00</b>
<b>04</b>	<b>70-74 E body &amp; 71-74 (late) B Body A/C blower motor to firewall seal</b> (black foam rubber)	<b>ELB7074HB33</b>	<b>\$8.00</b>
<b>05</b>	<b>70-74 E body &amp; 71-74 (late) B Body A/C blower motor to firewall drain seals</b> (black foam rubber donuts)	<b>N/A</b>	<b>N/A</b>
<b>06</b>	<b>Generic wiper motor to cowl seal</b> (black foam rubber)	<b>GEN6676WM01</b>	<b>\$3.00</b>
<b>07</b>	<b>Generic clutch pedal stud seals</b> (pair white poly foam)		
<b>08</b>	<b>70-74 E Body &amp; 71-74 (late) B Body brake booster to firewall gasket</b> (white poly foam)	<b>ELB7074BB01</b>	<b>\$4.00</b>
<b>09</b>	<b>70-74 E Body &amp; 71-74 (late) B Body electrical bulkhead connector seal set</b> (black foam rubber)	<b>ELB7074BH01</b>	<b>\$6.00</b>
<b>10</b>	<b>70-74 E Body &amp; 71-74 (late) B Body A/C heater box to firewall stud seals</b> (white poly foam donuts)	<b>N/A</b>	<b>N/A</b>
<b>11a</b>	<b>70-71 E Body steering column to firewall gasket</b> (OEM style coarse white poly foam)	<b>ELB7071SC01</b>	<b>\$4.00</b>
<b>11b</b>	<b>72-74 E Body &amp; 71-72 (late) B Body steering column to firewall gasket</b> (OEM style fine texture white poly foam)	<b>ELB7274SC01</b>	<b>\$4.00</b>
<b>12</b>	<b>70-74 E Body &amp; 71-74 (late) B Body accel pedal to firewall seal</b> (black foam rubber cable seal, white poly bracket to firewall)	<b>ELB7074AP01</b>	<b>\$2.00</b>
<b>13</b>	<b>70-74 E Body &amp; 71-74 (late) auto trans (slap stick) linkage to trans tunnel gasket</b> (white poly foam)	<b>ELB7074SL01</b>	<b>\$2.00</b>



23624 Roseberry Ave Warren, MI 48089 586-777-7167 fax 586-777-7947  
[www.DetroitMuscleTechnologies.com](http://www.DetroitMuscleTechnologies.com)

# E Body 70-74 Barracuda Challenger E BODY

70-74 E Body MEGA A/C Firewall Gaskets - AUTO EXX7074FW12-A \$62.00



23624 Roseberry Ave Warren, MI 48089 586-777-7167 fax 586-777-7947  
[www.DetroitMuscleTechnologies.com](http://www.DetroitMuscleTechnologies.com)

# E Body 70-74 Barracuda Challenger

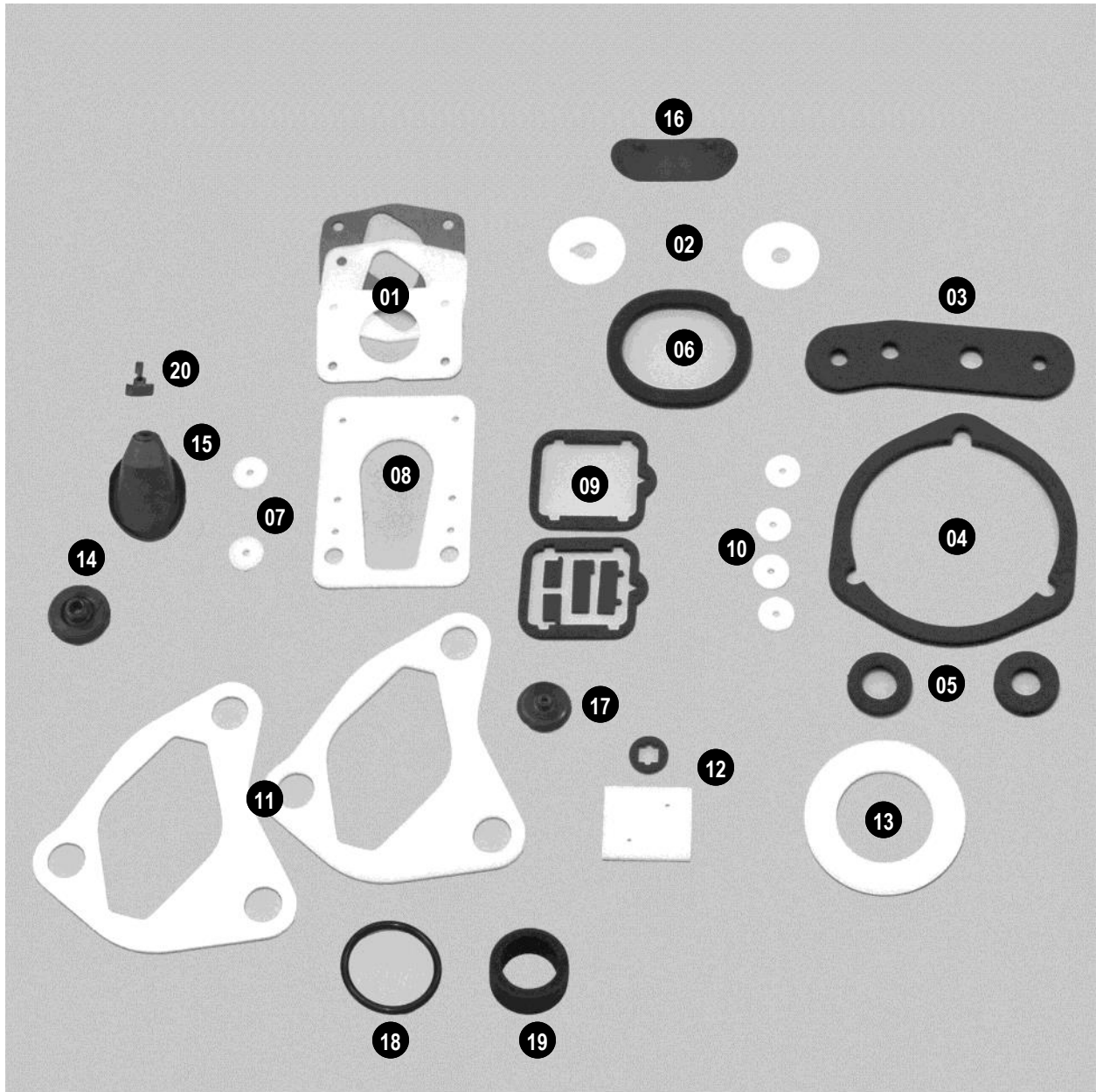
## 70-74 E Body MEGA A/C Firewall Gaskets - AUTO

01	Generic master cylinder gaskets set (3pcs to cover all different applications)	GEN6676MC01	\$6.00
02	70-74 E Body & 71-74 (late) B Body wiper pivot to cowl seals (white poly foam)	ELB7071WP01	\$4.00
03	70-74 E body & 71-74 (late) B Body A/C evaporator tubes to firewall seal (black foam rubber)	ELB7074HB32	\$6.00
04	70-74 E body & 71-74 (late) B Body A/C blower motor to fire- wall seal (black foam rubber)	ELB7074HB33	\$8.00
05	70-74 E body & 71-74 (late) B Body A/C blower motor to fire- wall drain seals (black foam rubber donuts)	N/A	N/A
06	Generic wiper motor to cowl seal (black foam rubber)	GEN6676WM01	\$3.00
07	Generic clutch pedal stud seals (pair white poly foam)		
08	70-74 E Body & 71-74 (late) B Body brake booster to firewall gasket (white poly foam)	ELB7074BB01	\$4.00
09	70-74 E Body & 71-74 (late) B Body electrical bulkhead con- nector seal set (black foam rubber)	ELB7074BH01	\$6.00
10	70-74 E Body & 71-74 (late) B Body A/C heater box to firewall stud seals (white poly foam donuts)	N/A	N/A
11a	70-71 E Body steering column to firewall gasket (OEM style coarse white poly foam)	ELB7071SC01	\$4.00
11b	72-74 E Body & 71-72 (late) B Body steering column to fire- wall gasket (OEM style fine texture white poly foam)	ELB7274SC01	\$4.00
12	70-74 E Body & 71-74 (late) B Body accel pedal to firewall seal (black foam rubber cable seal, white poly bracket to firewall)	ELB7074AP01	\$2.00
13	70-74 E Body & 71-74 (late) auto trans (slap stick) linkage to trans tunnel gasket (white poly foam)	ELB7074SL01	\$2.00
14	66-74 B & E Body Parking brake cable grommet	GEN6674PG01	\$14.95
15	66-74 All Clutch rod hole oval plug	GEN6674CH01	\$2.00
16	70-74 E Body (not 71-74 B) Body Drain flap	EXX7074DF01	\$5.00
17	66-76 All Speedo, shaker and air grabber cable grommet	GEN6676SG01	\$6.00
18	70-74 E Body & 71-74 (late) B Body Steering column to steer- ing column plate O-ring	ELB7074SC10	\$2.00
19	70-74 E Body & 71-74 (late) B Body Steering column end foam seal (prevents fumes from going up column)	ELB7074SC11	\$2.00
20	Clutch pedal bumper		



# E Body 70-74 Barracuda Challenger

70-74 E Body MEGA A/C Firewall Gaskets - MANUAL EXX7074FW10MM \$65.00



23624 Roseberry Ave Warren, MI 48089 586-777-7167 fax 586-777-7947  
[www.DetroitMuscleTechnologies.com](http://www.DetroitMuscleTechnologies.com)

# E Body 70-74 Barracuda Challenger

## 70-74 E Body MEGA A/C Firewall Gaskets - MANUAL

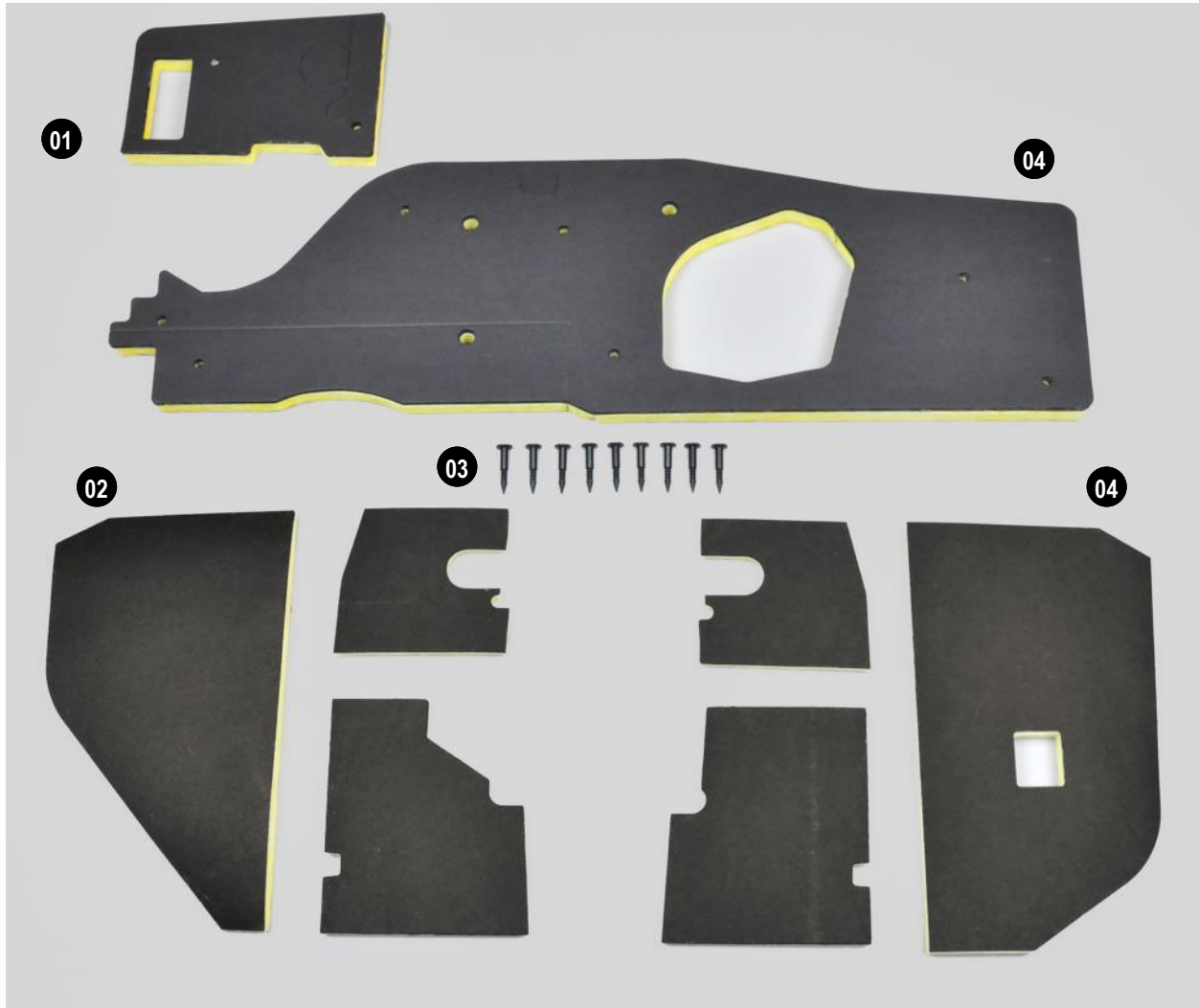
01	Generic master cylinder gaskets set (3pcs to cover all different applications)	GEN6676MC01	\$6.00
02	70-74 E Body & 71-74 (late) B Body wiper pivot to cowl seals (white poly foam)	ELB7071WP01	\$4.00
03	70-74 E body & 71-74 (late) B Body A/C evaporator tubes to firewall seal (black foam rubber)	ELB7074HB32	\$6.00
04	70-74 E body & 71-74 (late) B Body A/C blower motor to fire- wall seal (black foam rubber)	ELB7074HB33	\$8.00
05	70-74 E body & 71-74 (late) B Body A/C blower motor to fire- wall drain seals (black foam rubber donuts)	N/A	N/A
06	Generic wiper motor to cowl seal (black foam rubber)	GEN6676WM01	\$3.00
07	Generic clutch pedal stud seals (pair white poly foam)		
08	70-74 E Body & 71-74 (late) B Body brake booster to firewall gasket (white poly foam)	ELB7074BB01	\$4.00
09	70-74 E Body & 71-74 (late) B Body electrical bulkhead con- nector seal set (black foam rubber)	ELB7074BH01	\$6.00
10	70-74 E Body & 71-74 (late) B Body A/C heater box to firewall stud seals (white poly foam donuts)	N/A	N/A
11a	70-71 E Body steering column to firewall gasket (OEM style coarse white poly foam)	ELB7071SC01	\$4.00
11b	72-74 E Body & 71-72 (late) B Body steering column to fire- wall gasket (OEM style fine texture white poly foam)	ELB7274SC01	\$4.00
12	70-74 E Body & 71-74 (late) B Body accel pedal to firewall seal (black foam rubber cable seal, white poly bracket to firewall)	ELB7074AP01	\$2.00
13	70-74 E Body & 71-74 (late) auto trans (slap stick) linkage to trans tunnel gasket (white poly foam)	ELB7074SL01	\$2.00
14	66-74 B & E Body Parking brake cable grommet	GEN6674PG01	\$14.95
15	66-74 All Clutch rod hole oval plug	GEN6674CH01	\$2.00
16	70-74 E Body (not 71-74 B) Body Drain flap	EXX7074DF01	\$5.00
17	66-76 All Speedo, shaker and air grabber cable grommet	GEN6676SG01	\$6.00
18	70-74 E Body & 71-74 (late) B Body Steering column to steer- ing column plate O-ring	ELB7074SC10	\$2.00
19	70-74 E Body & 71-74 (late) B Body Steering column end foam seal (prevents fumes from going up column)	ELB7074SC11	\$2.00
20	Clutch pedal bumper	GEN6674CP01	\$5.00





# E Body 70-74 Barracuda Challenger

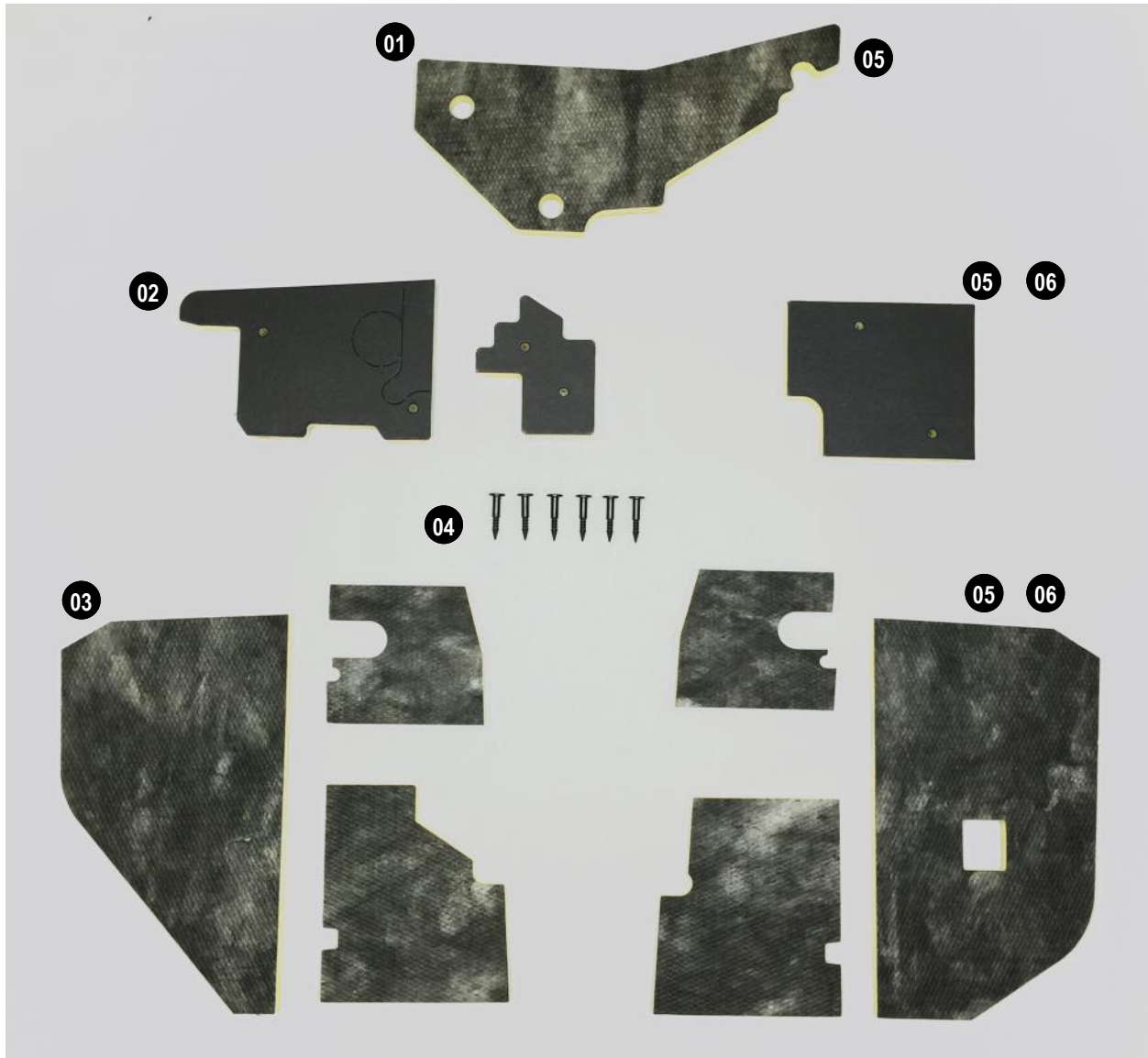
## NON AC firewall & kickpanel insulation



01	E Body 70-74 BASIC Non AC Firewall Insulation With (8) OEM style pins	EXX7074FI01	\$42.00
02	E Body 70-74 BASIC Kickpanel Insulation	EXX7074KI01	\$22.00
03	A Body 66-74, B Body 67-72, C Body 66-73, E Body 70-74 OEM style firewall insulation pins - EACH	GEN6674FP01-1	\$1.50
04	<b>E Body 70-74 BASIC Non AC Firewall &amp; Kickpanel Insulation</b> Set with OEM style pins	<b>EXX7074FI02</b>	<b>\$58.00</b>

# E Body 70-74 Barracuda Challenger

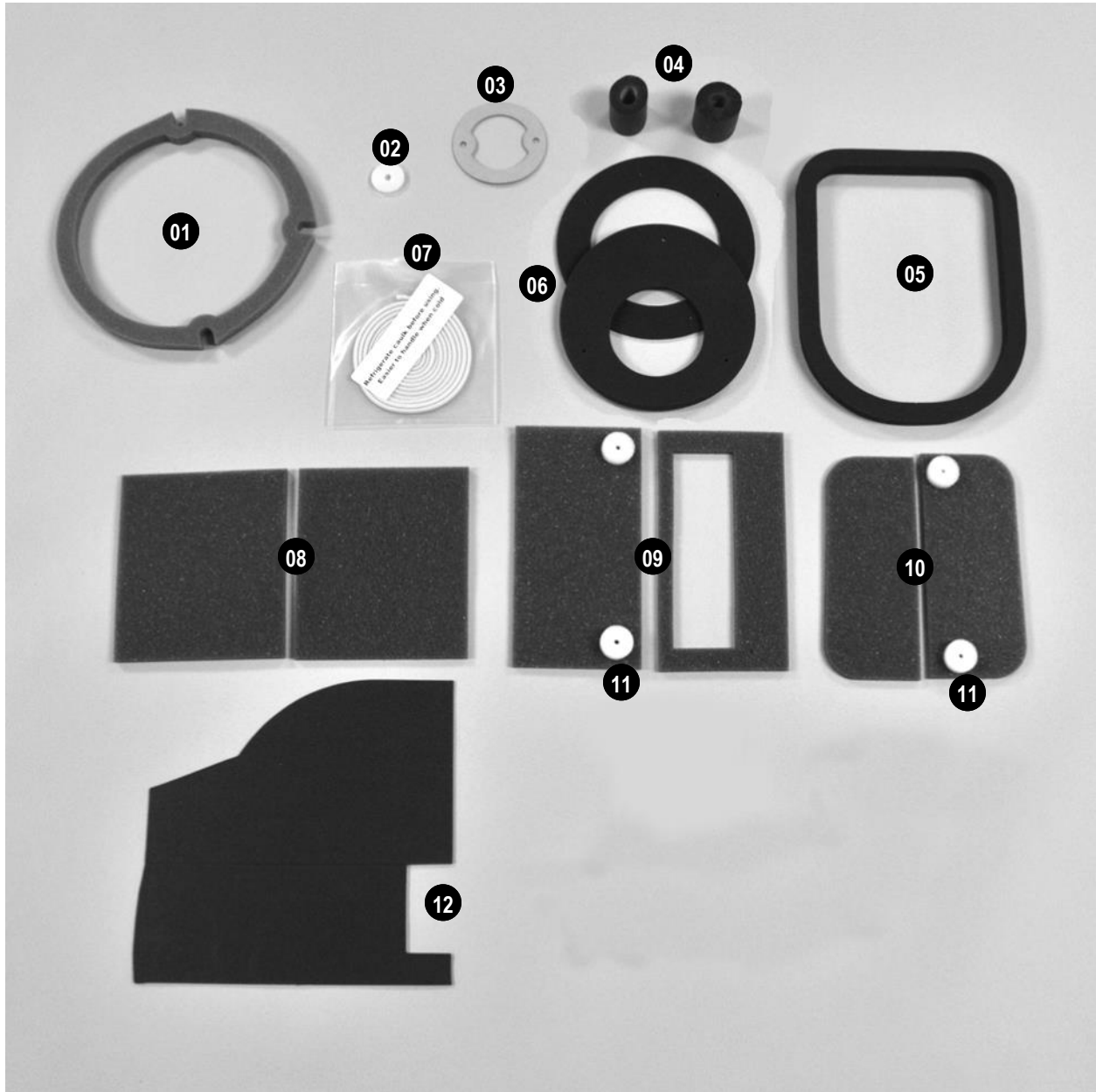
## AC firewall & kickpanel insulation



01	E Body 70-74, B Body 71-74 Insulation on back of AC box	ELB7074HB19	\$6.00
02	E Body 70-74, B Body 71-74 BASIC 3pc AC Firewall Insulation With OEM style pins	ELB7074F110	\$28.00
03	E Body 70-74 BASIC 6pc Kickpanel Insulation	EXX7074KI01	\$22.00
04	A Body 66-74, B Body 67-72, C Body 66-73, E Body 70-74 OEM style firewall insulation pins - EACH	GEN6674FP01-1	\$1.50
05	<b>E Body 70-74 AC Firewall &amp; Kickpanel Insulation Set</b> With OEM style pins <b>WITH</b> insulation piece for back of AC box	<b>EXX7074FW12</b>	<b>\$52.00</b>
06	<b>E Body 70-74 AC Firewall &amp; Kickpanel Insulation Set</b> With OEM style pins <b>WITHOUT</b> insulation piece for back of AC box	<b>EXX7074FW14</b>	<b>\$48.00</b>

# E Body 70-74 Barracuda Challenger

70-74 E Body **BASIC** Non A/C Heater Box Resto Kit EXX7074HB01 \$40.00



# E Body 70-74 Barracuda Challenger

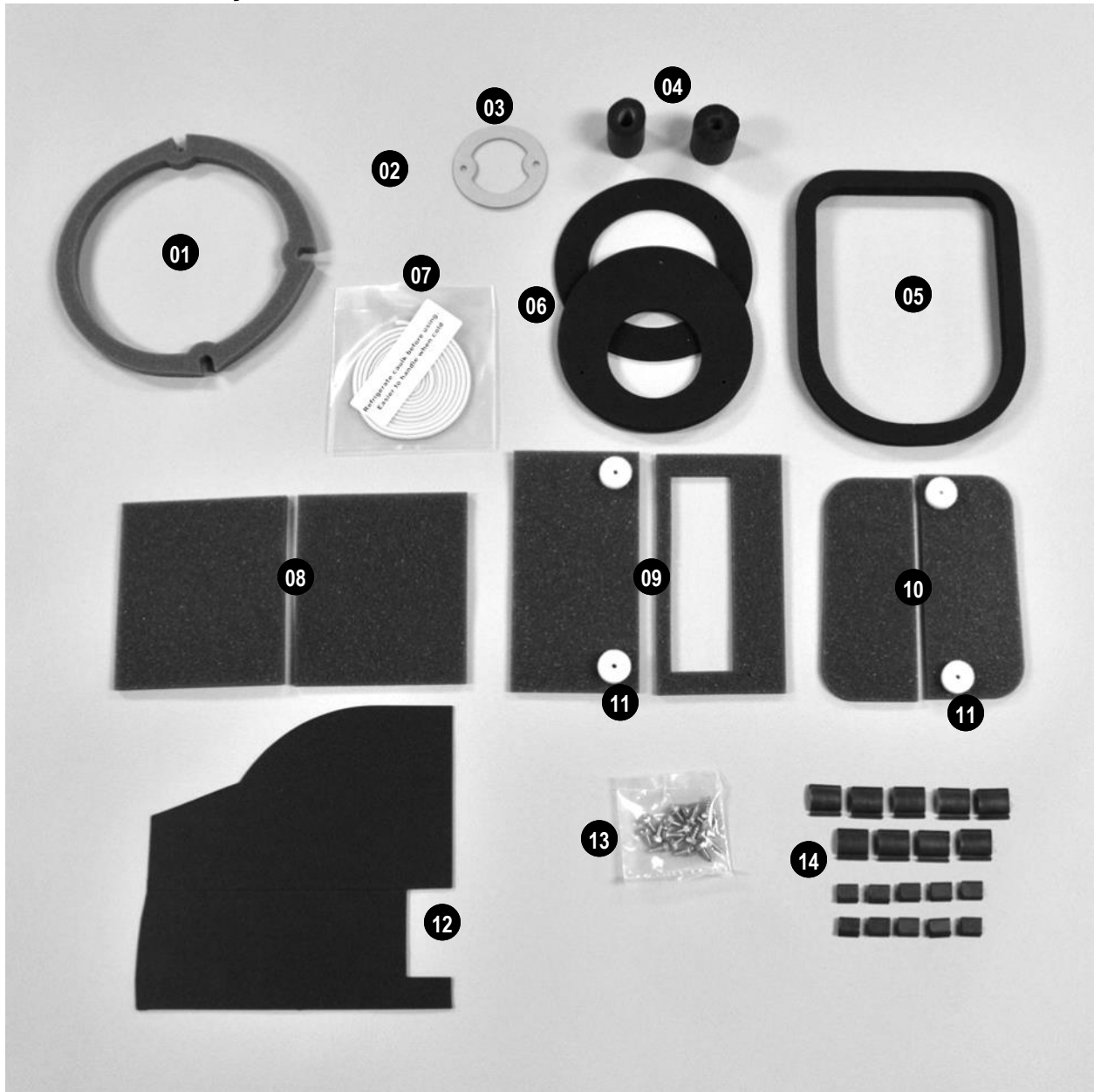
## 70-74 E Body **BASIC** Non A/C Heater Box Gaskets

01	70-74 E Body & 71-74 (late) B Body fresh air vent to cowl seal	ELB7074FV01	\$4.00
02	Firewall stud seal (1pc white poly donut)	N/A	N/A
03	70-74 E Body & 71-74 (late) blower motor to backplate gasket (thick tan paper)	ELB7074HB20	\$2.00
04	70-74 E body & 71-74 (late) B Body heater core tubes to firewall seals (1 large, 1 small)	N/A	N/A
05	70-74 E Body & 71-74 (late) B Body non A/C heater box to cowl seal (1/2" thick "D" shaped black foam rubber)	ELB7074HB21	\$6.00
06a	70-74 E Body & 71-74 (late) B Body non A/C heater box blower motor to firewall seal (black foam rubber, large hole black foam, typically 72-74)	ELB7074HB22	\$4.00
06b	70-74 E Body & 71-74 (late) B Body non A/C heater box blower motor to firewall seal (black foam rubber, small hole black foam, typically 70-71)	ELB7074HB23	\$4.00
07	Generic white strip caulk	N/A	N/A
08	Door foams (charcoal foam)	N/A	N/A
09	Door foams (charcoal foam)	N/A	N/A
10	Fresh air door foams (charcoal foam)	N/A	N/A
11	Door anti rattle bushings (4pcs thick white poly foam)	N/A	N/A
12	Black cardboard floor vent deflector	ELB7074HB24	\$10.00



# E Body 70-74 Barracuda Challenger

70-74 E Body **BIG** Non A/C Heater Box Resto Kit EXX7074HB02 \$72.00



23624 Roseberry Ave Warren, MI 48089 586-777-7167 fax 586-777-7947  
[www.DetroitMuscleTechnologies.com](http://www.DetroitMuscleTechnologies.com)

# E Body 70-74 Barracuda Challenger

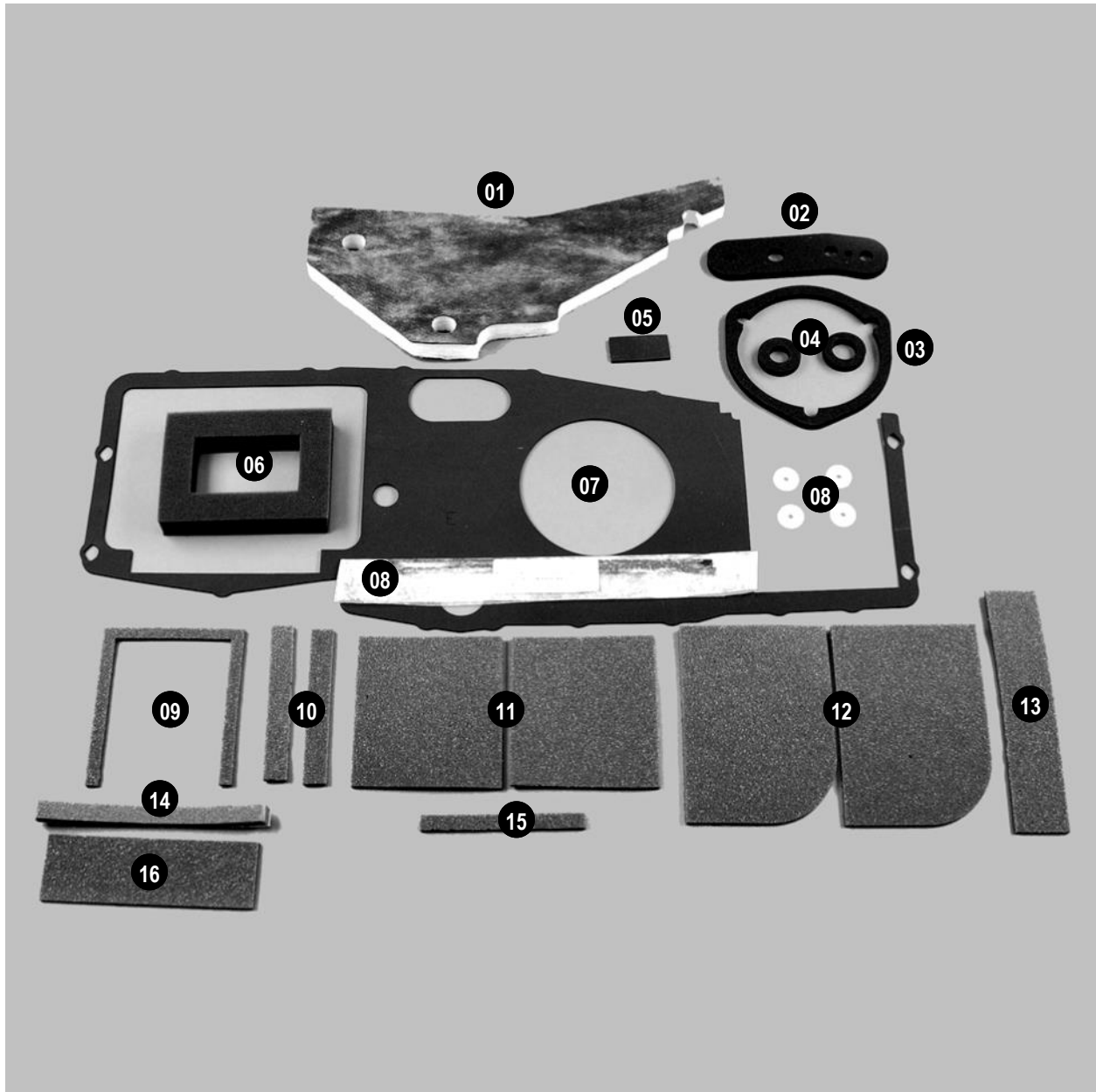
## 70-74 E Body **BIG** Non A/C Heater Box Resto Kit Gaskets

01	70-74 E Body & 71-74 (late) B Body drivers side fresh air vent to cowl seal	ELB7074FV01	\$4.00
02	Firewall stud seal(1pc white poly donut)	N/A	N/A
03	70-74 E Body & 71-74 (late) blower motor to backplate gasket (thick tan paper)	ELB7074HB20	\$2.00
04	70-74 E body & 71-74 (late) B Body heater core tubes to firewall seals (1 large, 1 small)	N/A	N/A
05	70-74 E Body & 71-74 (late) B Body non A/C heater box to cowl seal (1/2" thick "D" shaped black foam rubber)	ELB7074HB21	\$6.00
06a	70-74 E Body & 71-74 (late) B Body non A/C heater box blower motor to firewall seal (black foam rubber, large hole black foam, typically 72-74)	ELB7074HB22	\$4.00
06b	70-74 E Body & 71-74 (late) B Body non A/C heater box blower motor to firewall seal (black foam rubber, small hole black foam, typically 70-71)	ELB7074HB223	\$4.00
07	Generic white strip caulk	N/A	N/A
08	Door foams (charcoal foam)	N/A	N/A
09	Door foams (charcoal foam)	N/A	N/A
10	Fresh air door foams (charcoal foam)	N/A	N/A
11	Door anti rattle bushings (4pcs thick white poly foam)	N/A	N/A
12	Black cardboard floor vent deflector	ELB7074HB24	\$10.00
13	70-74 E Body non A/C stainless steel screw kit (18pcs - NOT FOR 71-74 B Body)	EXX7074HB01	\$6.00
14	70-74 E Body non A/C heater box box half and rear cardboard attaching clip set (9 large and 10 small clips)	EXX7074HB02	\$30.00



# E Body 70-74 Barracuda Challenger

70-74 E Body **BASIC** A/C Heater Box Resto Kit EXX7074HB10 \$65.00



23624 Roseberry Ave Warren, MI 48089 586-777-7167 fax 586-777-7947  
[www.DetroitMuscleTechnologies.com](http://www.DetroitMuscleTechnologies.com)

# E Body 70-74 Barracuda Challenger

## 70-74 E Body **BASIC** A/C Heater Box Resto Kit Gaskets

01	70-74 E body & 71-74 (late) B Body non A/C heater box to firewall mat faced fiberglass insulation piece	ELB7074HB31	\$7.00
02	70-74 E body & 71-74 (late) B Body A/C evaporator tubes to firewall seal (black foam rubber)	ELB7074HB32	\$6.00
03	70-74 E body & 71-74 (late) B Body A/C blower motor to firewall seal (black foam rubber)	ELB7074HB33	\$8.00
04	70-74 E body & 71-74 (late) B Body A/C blower motor to firewall drain seals (black foam rubber donuts)	N/A	N/A
05	70-74 E Body & 71-74 (late) B Body A/C evaporator tubes to bracket anti rattle foam (black foam rubber)	N/A	N/A
06	70-74 E Body A/C heater box to windshield duct foam seal (thick coarse charcoal foam)	EXX7074HB34	\$6.00
07	70-74 E Body A/C box half seal (black foam rubber)	EXX7074HB35	\$18.00
08	Firewall stud seal(4pcs white poly donut)	N/A	N/A
09	Outlet housing to box foam seal (charcoal foam)	EXX7074HB36	\$6.00
10	Foam strips (charcoal foam)	N/A	N/A
11	Door foams (charcoal foam)	N/A	N/A
12	Fresh air door foams (charcoal foam)	N/A	N/A
13	Front access plate foam sealing strip (charcoal foam)	N/A	N/A
14	Fresh air door hinge sealing foam strip (charcoal foam)	N/A	N/A
15	Foam sealing strip (charcoal foam)	N/A	N/A
16	Foam piece (charcoal foam)	N/A	N/A

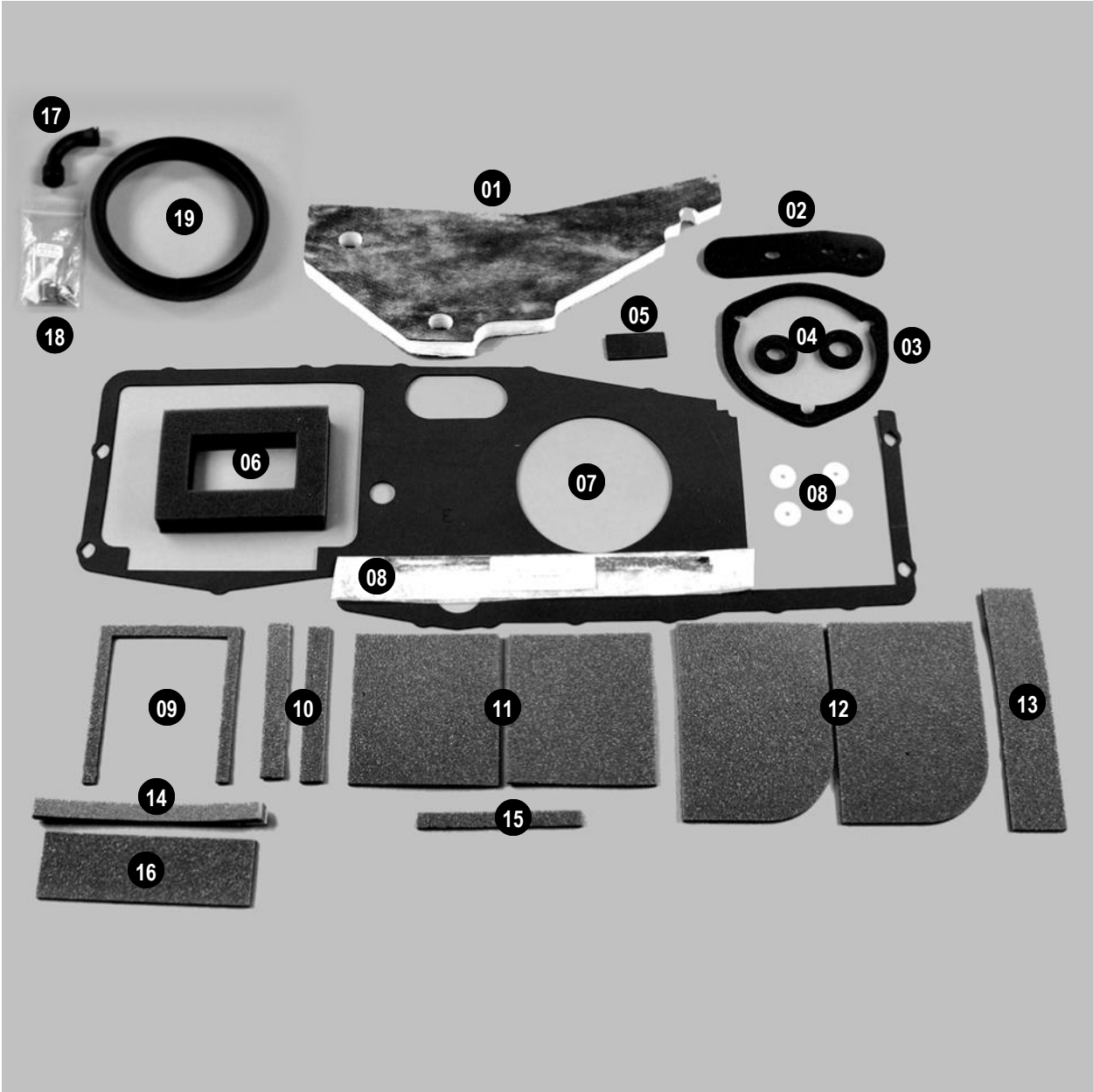


23624 Roseberry Ave Warren, MI 48089 586-777-7167 fax 586-777-7947  
[www.DetroitMuscleTechnologies.com](http://www.DetroitMuscleTechnologies.com)



# E Body 70-74 Barracuda Challenger

70-74 E Body **BIG** A/C Heater Box Resto Kit EXX7074HB11 \$99.00



23624 Roseberry Ave Warren, MI 48089 586-777-7167 fax 586-777-7947  
[www.DetroitMuscleTechnologies.com](http://www.DetroitMuscleTechnologies.com)

# E Body 70-74 Barracuda Challenger

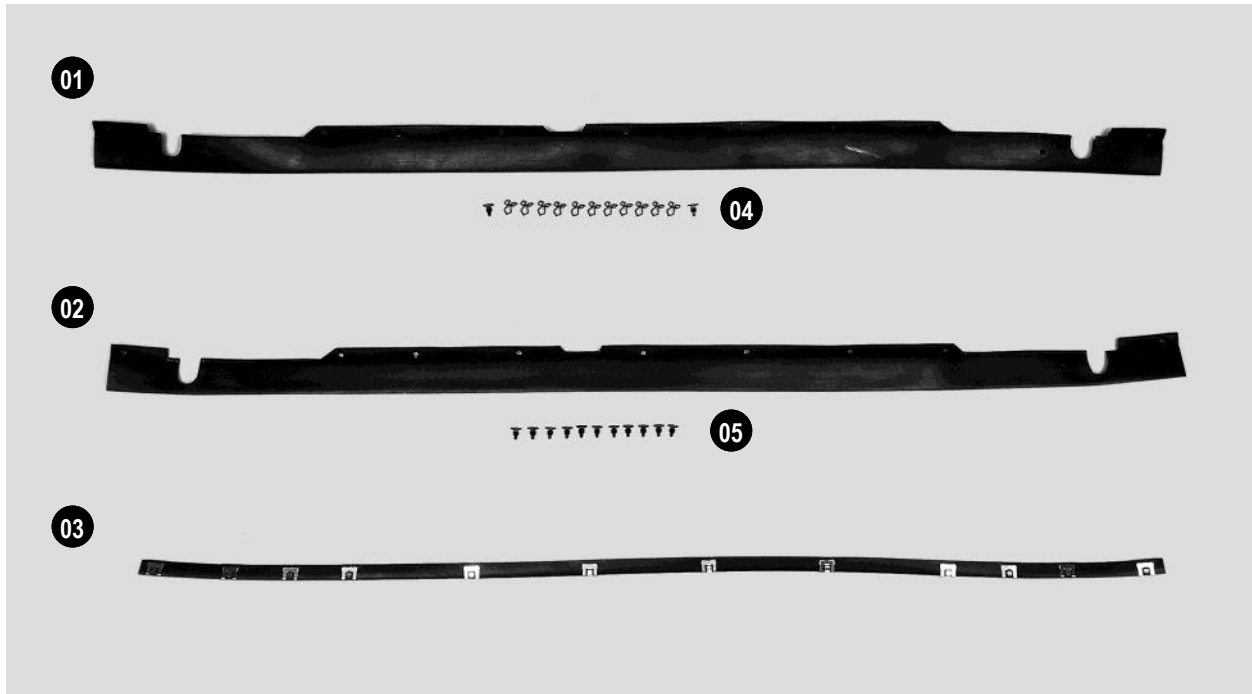
## 70-74 E Body **BIG** A/C Heater Box Resto Kit Gaskets

01	70-74 E Body & 71-74 (late) B Body non A/C heater box to firewall mat faced fiberglass insulation piece	ELB7074HB31	\$7.00
02	70-74 E Body & 71-74 (late) B Body A/C evaporator tubes to firewall seal (black foam rubber)	ELB7074HB32	\$6.00
03	70-74 E Body & 71-74 (late) B Body A/C blower motor to firewall seal (black foam rubber)	ELB7074HB33	\$8.00
04	70-74 E Body & 71-74 (late) B Body A/C blower motor to firewall drain seals (black foam rubber donuts)	N/A	N/A
05	70-74 E Body A/C evaporator tubes to bracket anti rattle foam (black foam rubber)	N/A	N/A
06	70-74 E Body A/C heater box to windshield duct foam seal (thick coarse charcoal foam)	EXX7074HB34	\$6.00
07	70-74 E Body A/C box half seal (black foam rubber, NOT for 71-74 B Body, have different one for that application)	EXX7074HB35	\$18.00
08	Firewall stud seal(4pcs white poly donut)	N/A	N/A
09	Outlet housing to box foam seal (charcoal foam)	N/A	N/A
10	Foam strips (charcoal foam)	N/A	N/A
11	Door foams (charcoal foam)	N/A	N/A
12	Fresh air door foams (charcoal foam)	N/A	N/A
13	Front access plate foam sealing strip (charcoal foam)	N/A	N/A
14	Fresh air door hinge sealing foam strip (charcoal foam)	N/A	N/A
15	Foam sealing strip (charcoal foam)	N/A	N/A
16	Foam piece (charcoal foam)	N/A	N/A
17	70-74 E body & 71-74 (late) B Body A/C blower motor to heater box cooling tube	ELB7074BT01	\$19.00
18	Generic A/C O-Ring / lube kit	GEN6276OR01	\$6.00
19	70-74 E body, 71-74 B Body A/C & 66-70 B Body Non A/C heater box to cowl seal (sponge rubber exactly like OEM)	GEN6674HB01	\$15.00



# E Body 70-74 Barracuda Challenger

## Hood & cowl seals



<b>01</b>	<b>E Body 70-72 Hood to radiator seal</b> with (11) OEM style black painted "D" shaped, <b>STAINLESS STEEL</b> clips and (2) plastic push pins	<b>EXX7172HS01</b>	<b>\$45.00</b>
<b>02</b>	<b>E Body 73-74 Hood to radiator seal</b> with (11) OEM style push pins	<b>EXX7374HS01</b>	<b>\$45.00</b>
<b>03</b>	<b>B Body 71-74, E Body 70-74 Hood to cowl seal</b> With OEM style <b>STAINLESS STEEL</b> clips already installed	<b>ELB7074CS01</b>	<b>\$35.00</b>
<b>04</b>	<b>D shaped black plated STAINLESS STEEL hood to radiator clips EACH</b>	<b>GEN6772HS01-1</b>	<b>\$1.00</b>
<b>05</b>	<b>Plastic hood to radiator seal clips (small round) EACH</b>	<b>6003351 -1</b>	<b>\$0.50</b>

# E Body 70-74 Barracuda Challenger

## Door & pillar end seals



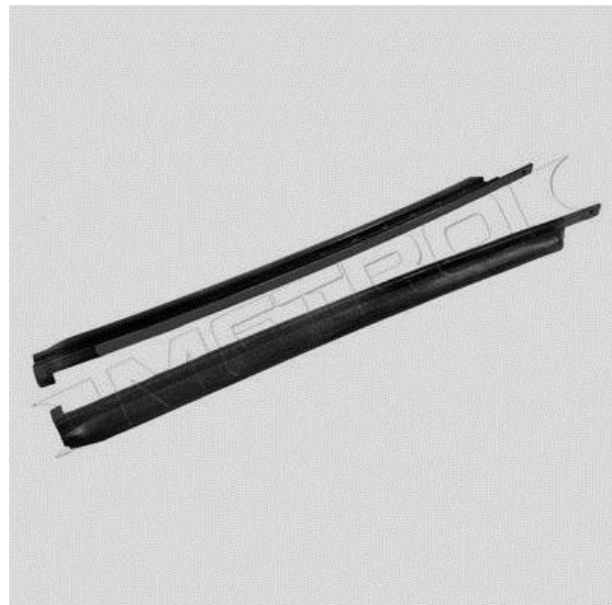
**ALP7004** \$35.00  
E Body 70-74 door end seal  
On door above door latch



**ALP7000** \$35.00  
E Body 70-74 pillar seal  
On car body in frt of rear qtr window



**VS7-K (flocked)** \$35.00  
E Body 70 ONLY rear qtr window leading edge seal



**VS7-M (NON flocked)** \$35.00  
E Body 71-74 rear qtr window leading edge seal

# E Body 70-74 Barracuda Challenger

## Weatherstripping



**LM23-A** \$75.00  
E Body 70-74 Door Seals with clips



**RR4009** \$75.00  
E Body 70 ONLY Roof rail seals



**RR4009-A** \$75.00  
E Body 71-74 ONLY Roof rail seals



**TK64-A/14** \$17.00  
E Body 70-72 14' "Y" shaped trunk seal

# E Body 70-74 Barracuda Challenger

## Weatherstripping



**TK56-B/18** \$25.00  
E Body 73-74 "D" shaped trunk seal



**RKB4005-112** \$165.00  
E Body 70 ONLY 5pc weatherstrip seal set  
LM23-A Door Seal, RR4009 roof rail seals, 14' "Y" shaped trunk seal



**RKB4005-112/A** \$165.00  
E Body 71-72 ONLY 5pc weatherstrip seal set  
LM23-A Door Seal, RR4009-A roof rail seals, 14' "Y" shaped trunk seal



**RKB4005-112/B** \$165.00  
E Body 73-74 ONLY 5pc weatherstrip seal set  
LM23-A Door Seal, RR4009-A roof rail seals, "D" shaped trunk seal

# E Body 70-74 Barracuda Challenger

## Beltline weatherstrips (cat whiskers)

01

02

03

04

05

06

Photo  
Coming

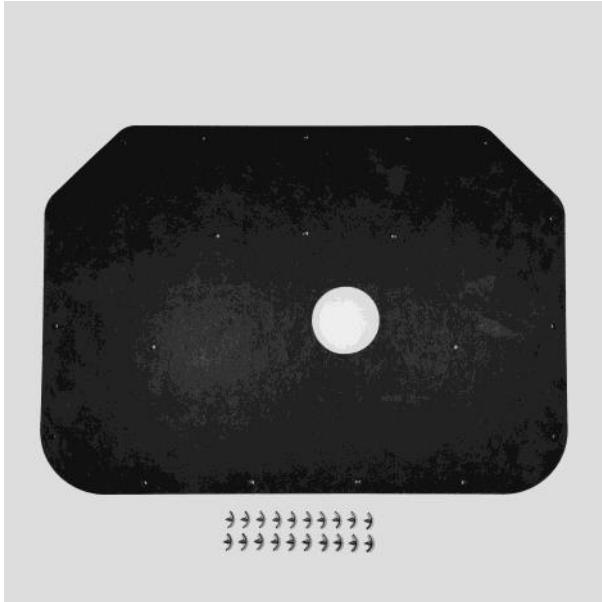
01	E Body 70 CONVERTIBLE beltline weatherstrip set 8pc	200100	\$150.00
02	B Body 70 Barracuda beltline weatherstrip set 8pc	990833	\$150.00
03	B Body 70 Challenger beltline weatherstrip set 8pc	990834	\$150.00
04	E Body 71-74 CONVERTIBLE beltline weatherstrip set 8pc	200101	\$150.00
05	E Body 71-74 Barracuda beltline weatherstrip set 8pc	990835	\$150.00
06	E Body 71-74 Challenger beltline weatherstrip set 8pc	990836	\$150.00



23624 Roseberry Ave Warren, MI 48089 586-777-7167 fax 586-777-7947  
[www.DetroitMuscleTechnologies.com](http://www.DetroitMuscleTechnologies.com)

# E Body 70-74 Barracuda Challenger

## Hood insulation pads



**EXX7074HP01**

**\$55.00**

**E Body 70-71 Hood insulation pad**

1/2" thick, 2pcf density very close to OEM molded hood pad thickness and density for a fraction of the cost.  
(20) OEM style black plated **STAINLESS STEEL** clips

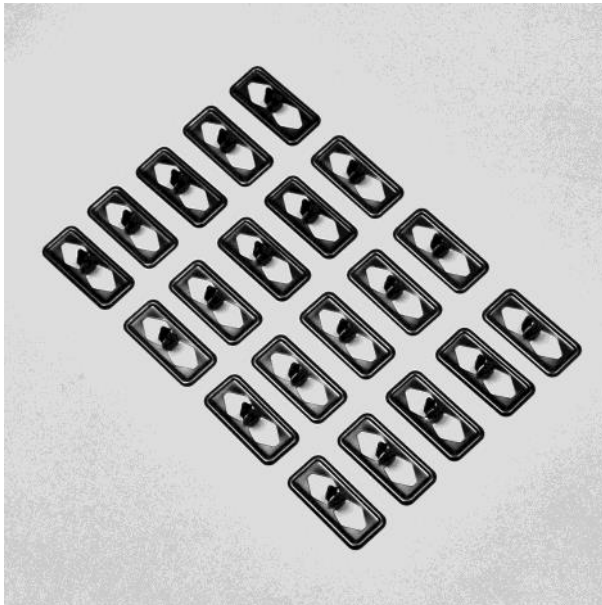


**EXX7074HP02**

**\$35.00**

**E Body 72-74 (and 71-74 Charger) Hood insulation pad**

1/2" thick, 2pcf density very close to OEM molded hood pad thickness and density for a fraction of the cost.  
(20) OEM style plastic clips

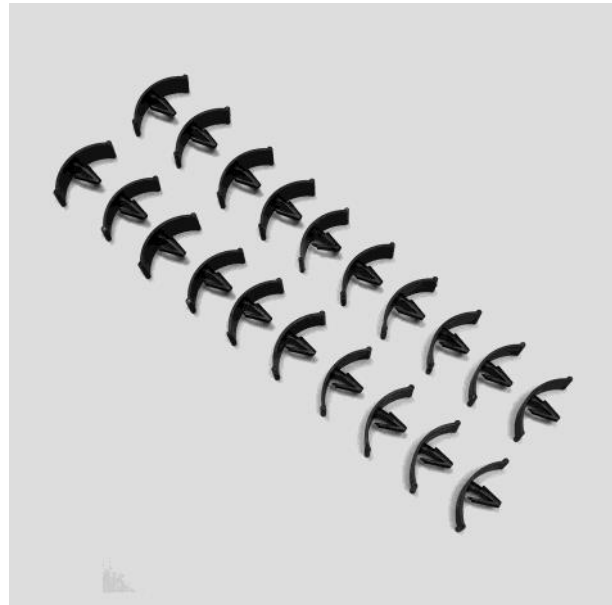


**DMT2701007-20**

**\$22.00**

**Black Plated STAINLESS STEEL 66-71 hood insulation clips - 20pcs**

Exact same shape as OEM but wont rust!



**DMT6003351-20**

**\$8.00**

**PLASTIC 72-up hood insulation clips - 20pcs**

Also used on some 73-up hood to radiator seals



23624 Roseberry Ave Warren, MI 48089 586-777-7167 fax 586-777-7947  
www.DetroitMuscleTechnologies.com



# E Body 70-74 Barracuda Challenger

## Barracuda bumper sets



**ECU7070BB01 - BBK7** **\$35.00**

**70 Barracuda Body bumper set**  
All hood, door, deck lid, etc body bumpers



**ECU7171BB01 - BBK7** **\$35.00**

**71 Barracuda Body bumper set**  
All hood, door, deck lid, etc body bumpers



**ECU7274BB01 - BBK9** **\$35.00**

**72-74 Barracuda Body bumper set**  
All hood, door, deck lid, etc body bumpers

# E Body 70-74 Barracuda Challenger

## Challenger body bumper sets



**ECH7070BB01 - BBK10** \$35.00  
**70 Challenger Body bumper set**  
All hood, door, deck lid, etc body bumpers



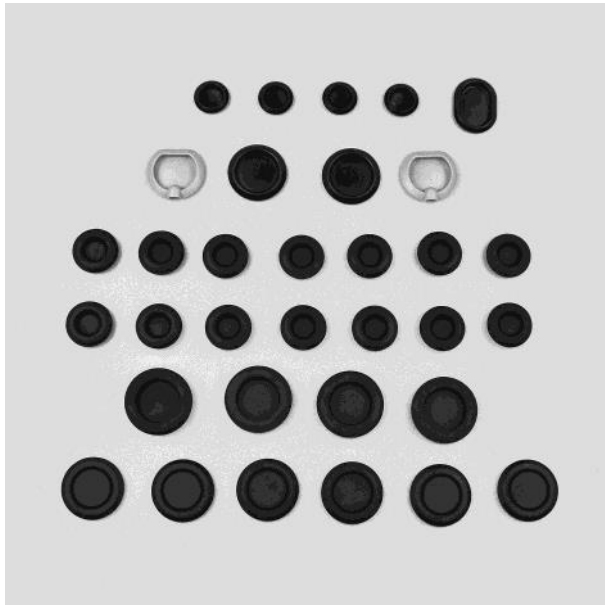
**ECH7171BB01 - BBK10** \$35.00  
**71 Challenger Body bumper set**  
All hood, door, deck lid, etc body bumpers



**ECH7274BB01 - BBK11A** \$35.00  
**72-74 Challenger Body bumper set**  
All hood, door, deck lid, etc body bumpers

# E Body 70-74 Barracuda Challenger

## Body PLUG sets

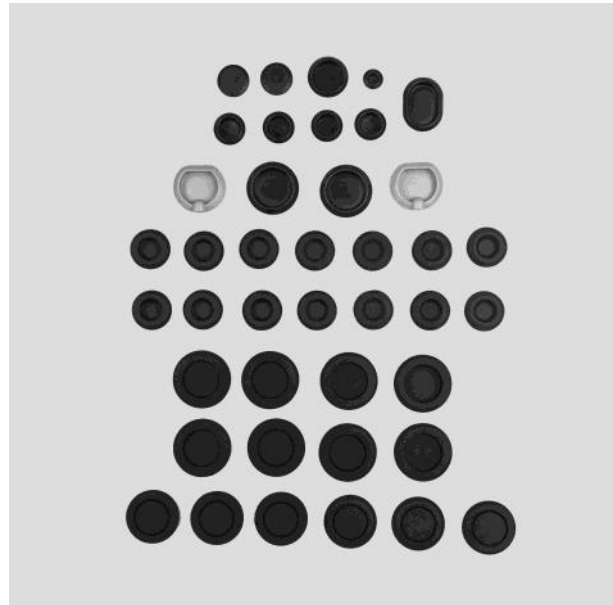


**ECH7070BP01 - BPK2**

**\$35.00**

**70 Challenger body plug set**

All floor, trunk, qtr panel, etc body plugs



**ECU7070BP01 - BPK1**

**\$35.00**

**70 Barracuda Body plug set**

All floor, trunk, qtr panel, etc body plugs

**Photo  
Coming**

**EXX7174BP01 - BPK3**

**\$35.00**

**E Body 71-74 Body plug set**

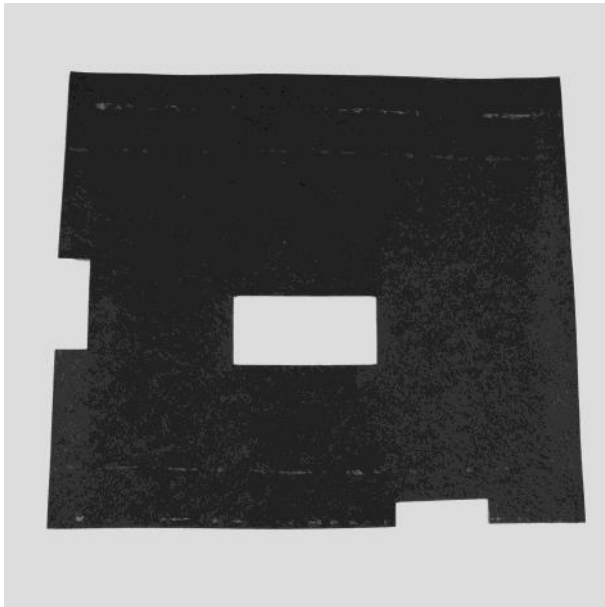
All floor, trunk, qtr panel, etc body plugs



23624 Roseberry Ave Warren, MI 48089 586-777-7167 fax 586-777-7947  
[www.DetroitMuscleTechnologies.com](http://www.DetroitMuscleTechnologies.com)

# E Body 70-74 Barracuda Challenger

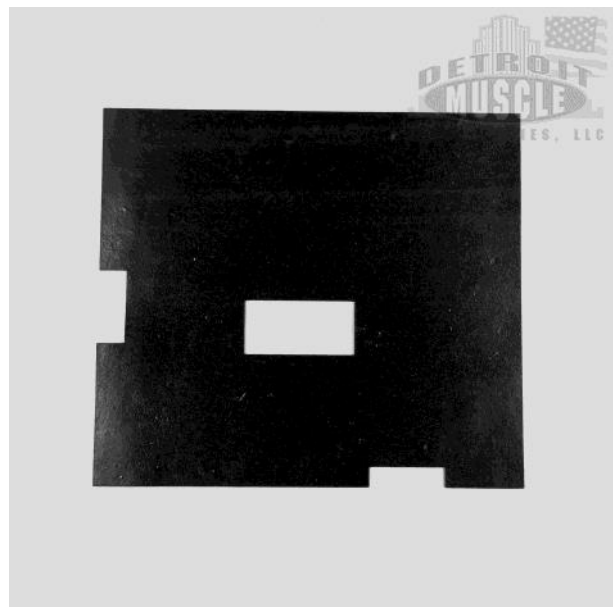
## Gas tank pads



**EXX7074TP01** \$18.00

**E Body 70-74 Tank pad**

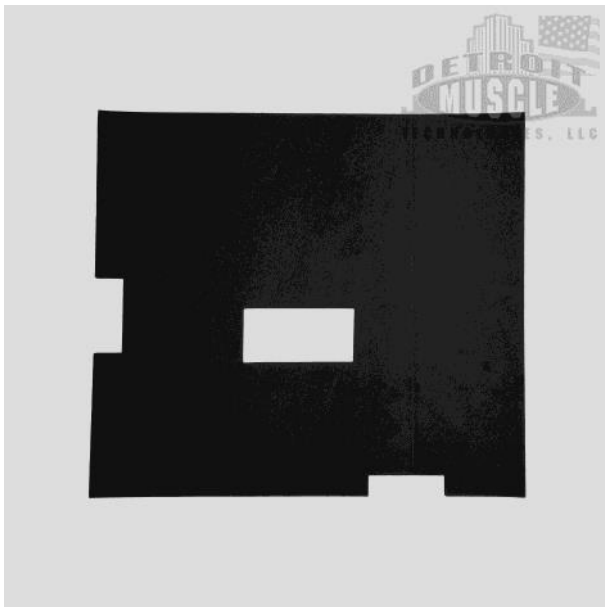
.070" thick felt paper. Closest to OEM.  
OEM was waffled brown asbestos felt which is unavailable.



**EXX7074TP02** \$24.00

**E Body 70-74 Tank pad**

.090" thick masticated rubber.  
Heavy, better sound damping than OEM



**EXX7074TP0** \$16.00

**E Body 70-74 Tank pad**

.250" thick foam rubber.  
Economical



23624 Roseberry Ave Warren, MI 48089 586-777-7167 fax 586-777-7947  
[www.DetroitMuscleTechnologies.com](http://www.DetroitMuscleTechnologies.com)

# E Body 70-74 Barracuda Challenger

misc



**GEN6676TB01** \$29.00

**A 62-76, B 62-72, E 70-74 Torsion bar boots with STAINLESS STEEL clips**

Will not fit C body or 73-74 B Body



**GEN6676SC01** \$14.00

**3" STAINLESS STEEL Steering coupler cover clamp / retainer**

Fits all 66-76 A body, 66-72 B Body and 70-72 E Body 3" long power AND manual steering couplers



**GEN7376SC01** \$14.00

**3-1/2" STAINLESS STEEL Steering coupler cover clamp / retainer**

Fits all 75-76 B Body and 73-74 E Body 79-93 Dodge Truck 3-1/2" long power AND manual steering couplers



**GEN6676SC10** \$32.00

**3" STAINLESS STEEL Steering coupler cover clamp, STAINLESS STEEL cover & seal**

Fits all 66-76 A body, 66-72 B Body and 70-72 E Body 3" long power AND manual steering couplers

# E Body 70-74 Barracuda Challenger

misc



**GEN7376SC11**

**\$32.00**

**3-1/2" STAINLESS STEEL Steering coupler cover clamp, STAINLESS STEEL cover & seal**  
Fits all 75-76 B Body and 73-74 E Body 79-93 Dodge truck 3-1/2" long power AND manual steering couplers



**GEN6276AC01**

**\$6.00**

**Air cleaner lid seal**  
All 62-76 models—56" long  
Will fit everything from a 6cyl to a dual snorkel



**ELB7074TG01**

**\$14.00**

**Generic fuel/ gas tank grommet**  
70 B Body, 71-74 B Body, 70-74 E body

# E Body 70-74 Barracuda Challenger

## rallye dash, console and door woodgrain vinyl overlays



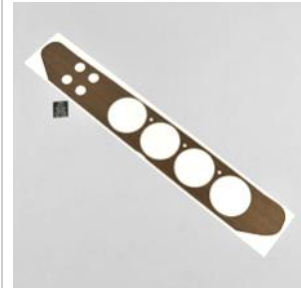
**EXX7071WG01**      **\$39.00**  
70-71 E body rallye dash woodgrain / 3 hole switch panel with switch labels and instructions



**EXX7071WG02**      **\$39.00**  
70-71 E body rallye dash woodgrain / 4 hole switch panel with switch labels and instructions



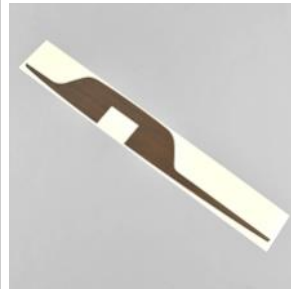
**EXX7274WG01**      **\$39.00**  
72-74 E body rallye dash woodgrain / 3 hole switch panel with switch labels and instructions



**EXX7274WG02**      **\$39.00**  
72-74 E body rallye dash woodgrain / 4 hole switch panel with switch labels and instructions



**EXX7074CF10**      **\$29.00**  
70-74 E body NON rallye dash woodgrain vinyl overlay on 1/16" acrylic backing  
This is to dress up a factory non rallye dash



**ELB7074WG20**      **\$30.00**  
Auto console woodgrain overlay  
70-74 Barracuda, Challenger  
71-74 Charger, Satellite  
with instructions



**ELB7074WG21**      **\$30.00**  
4 speed console woodgrain overlay  
70-74 Barracuda, Challenger  
71-74 Charger, Satellite  
with instructions



**ECH7074WG30**      **\$15.00**  
70-74 Challenger ONLY door woodgrain overlay with instructions

**NOTE:**

These overlays are 8mil (.008") premium, exterior architectural grade embossed woodgrain vinyl. Not some cheap craft store vinyl.

**To Install**

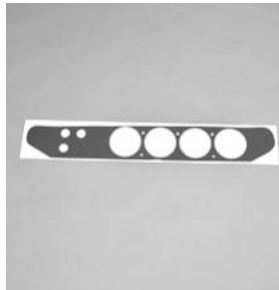
Remove old overlay.  
Sand surface smooth if required (any imperfections will show through).  
Clean surface with alcohol.  
Spray surface with Windex enough that overlay can be slid into position.  
Pat / squeegee with a towel to remove air bubble and excess Windex.  
Use a hair dryer to dry edges and to soften material press down into holes on E body dashes.

**Important**

**Keep out of direct sunlight and away from heat until installed.**

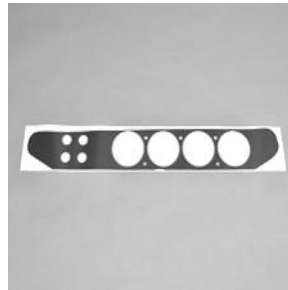
# E Body 70-74 Barracuda Challenger

## rallye dash, console and door carbon fiber vinyl overlays



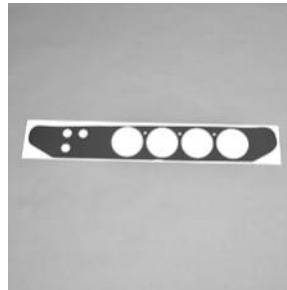
EXX7071CF01 \$39.00

70-71 E body rallye dash / 3 hole switch panel PREMIUM Carbon Fiber Vinyl Overlay with switch labels and instructions



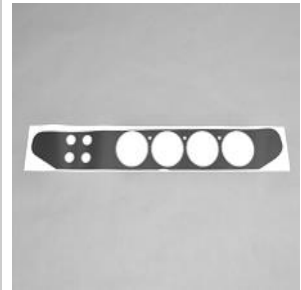
EXX7071CF02 \$39.00

70-71 E body rallye dash / 4 hole switch panel PREMIUM Carbon Fiber Vinyl Overlay with switch labels and instructions



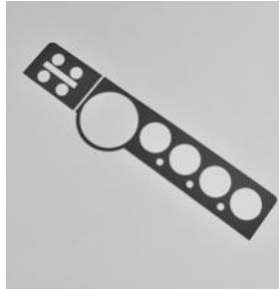
EXX7274CF01 \$39.00

72-74 E body rallye dash / 3 hole switch panel PREMIUM Carbon Fiber Vinyl Overlay with switch labels and instructions



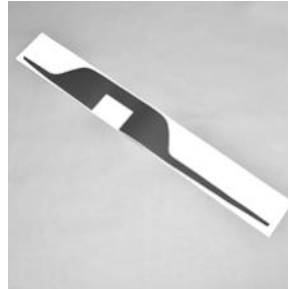
EXX7274CF02 \$39.00

72-74 E body rallye dash / 4 hole switch panel PREMIUM Carbon Fiber Vinyl Overlay with switch labels and instructions



EXX7074CF10 \$29.00

70-74 E body NON rallye dash PREMIUM Carbon Fiber Vinyl Overlay on 1/16" acrylic backing This is to dress up a factory non rallye dash



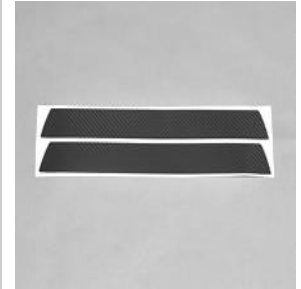
EXX7074CF20 \$30.00

70-74 E body auto console PREMIUM Carbon Fiber Vinyl Overlay with instructions



EXX7074CF21 \$30.00

70-74 E body 4 speed console PREMIUM Carbon Fiber Vinyl Overlay with instructions



ECH7074CF30 \$15.00

70-74 Challenger ONLY door PREMIUM Carbon Fiber Vinyl Overlay with instructions

### NOTE:

These overlays are 8mil (.008") premium, exterior architectural grade embossed carbon fiber vinyl. Not some cheap craft store vinyl.

### To Install

Remove old overlay.

Sand surface smooth if required (any imperfections will show through).

Clean surface with alcohol.

Spray surface with Windex enough that overlay can be slid into position.

Pat / squeegee with a towel to remove air bubble and excess Windex.

Use a hair dryer to dry edges and to soften material press down into holes on E body dashes.

### Important

**Keep out of direct sunlight and away from heat until installed.**



