

2020



23624 Roseberry Ave Warren, MI 48089

586-777-7167 fax 586-777-7947

www.DetroitMuscleTechnologies.com

66-70 ROADRUNNER RESTORATION GASKETS

66-70 Belvedere, Satellite, Roadrunner/Superbird

**Goto [www. DetroitMuscleTechnologies.com](http://www.DetroitMuscleTechnologies.com) for
the latest prices and new items!**

Whats new...

NEW DMT Hood Insulation Pads

NEW DMT Under-dash Shoddy Pad Insulation

NEW DMT Mega Firewall Gasket Kits

NEW IMPROVED DMT Firewall / kickpanel insulation kits

Ask for our Mega Gasket List for your year/model when restoring your car

66-70 B Body

Installation notes

Suggestions for replacing gaskets

- **Save old gaskets**

Recommend saving all seals and gaskets till your restoration is complete. This way you can verify the gasket / seals received match your originals. IF there are any difference between your originals and our kit I would be interested in hearing about it. I'm always learning.

Contact me at jamesfillmore@detroitmuscletechnologies.com

- **Pictures**

Highly recommended to take digital pictures when removing old parts/gaskets.

- **Adhesives**

All gaskets can be attached using one of two adhesives.

For the gray charcoal foams or for applications where you don't want to "see" the adhesive, use 3M 77 Spray Adhesive. Available at most chain craft stores.

For all gray foam rubber (like taillight lense to housing gaskets) or any black foam rubber (like air grabber door to hood seals) use 3M Black Weatherstrip Adhesive. Available at most chain auto parts stores. Chrysler used very thin beads of this weatherstrip adhesive to hold gaskets in place during assembly. It's not necessary to provide a seal and will make cleaning or replacement difficult in the future. On any of the lamp lense gaskets I personally wouldn't use adhesive.



23624 Roseberry Ave Warren, MI 48089 586-777-7167 fax 586-777-7947
www.DetroitMuscleTechnologies.com

66-70 B Body

We offer a MEGA gasket set for each car model in either Non A/C or A/C versions. These kits combine the pieces commonly purchased when doing a repaint or restoration as well as offering an approx 10% combined discount. Prices for these kits are at the bottom of the respective Paint Gasket Set pages.

Mega Restoration Kits - include the following;

- Paint gasket set
- Non firewall gasket set
- BIG Heater box resto kit
- Engine well splash shields
- Firewall insulation set with OEM style pins
- Kickpanel insulation set
- Under dash shoddy pad
- 5pc Weatherstrip set
- Mega body plug and bumper set

Not included but optional;

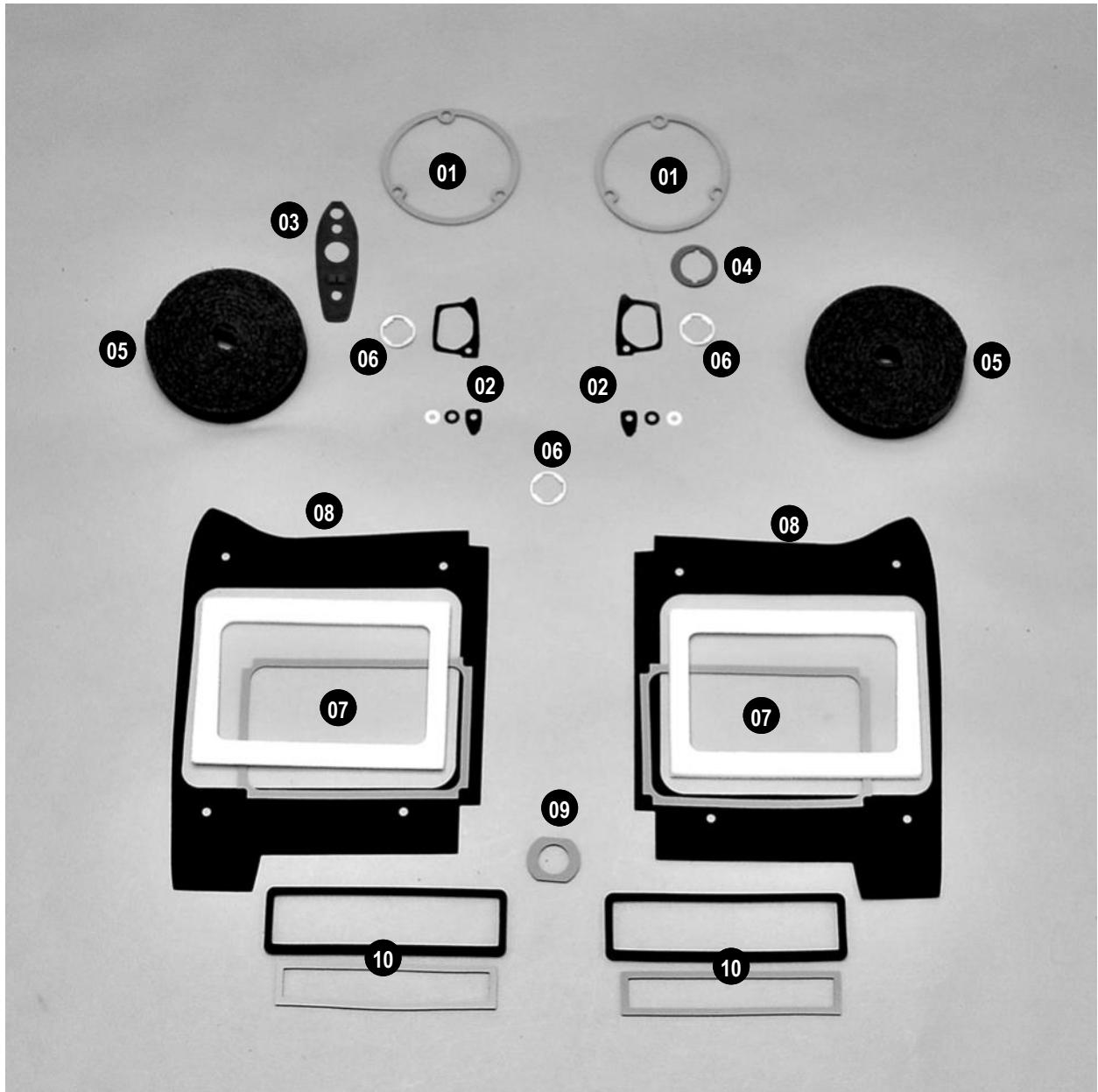
- Hood to radiator seals (with SS clip set)
- Hood to cowl seals with pre-installed clips



23624 Roseberry Ave Warren, MI 48089 586-777-7167 fax 586-777-7947
www.DetroitMuscleTechnologies.com

66-70 B Body

66 Belvedere Exterior / Paint Gasket Set BBE6666PK01 \$64.00



23624 Roseberry Ave Warren, MI 48089 586-777-7167 fax 586-777-7947
www.DetroitMuscleTechnologies.com

66-70 B Body

66 Belvedere Exterior / Paint Set Gaskets

01	66 Belvedere parking light gaskets (pair)	BBE6666PL01	\$8.00
02	66-67 B Body door handle gaskets (set, black plastic handle to door including teardrop, circle and mylar handle end to door gasket. Different models/years/plants used different options. Also o-rings to seal pushbutton to handle)	BXX6667DH01	\$6.00
03	A/B mirror gasket (67-69 Barracuda, 67-76 Dart, Demon, Duster, Scamp, Swinger, Valiant, 66-70 Charger, Coronet, Belvedere, Roadrunner, Satellite)	ABX6776MI01	\$5.00
04	66-67 Antenna gasket (small hole, 68-76 has larger hole)	GEN6667AN01	\$1.00
05	66-70 B Body weathers-strip channel (two 3/16"x7/8"x72" rolls, for models without pop out rear qtr windows, 66-70 Charger, 66-67 Belvedere, Coronet)	BXX6670DR01	\$10.00
06	62-72 lock gasket (small gray plastic, 67-76 door locks, 62-72 trunk locks, 73-76 trunk lock is different / larger)	GEN6272LK01	\$1.00
07	66 Belvedere taillight gasket set	BBE6666TL01	\$25.00
08	66 Belvedere quarter panel extension gaskets (black abs plastic extension to body like OEM)	BBE6666QE01	\$10.00
09	A/B license plate light gasket (gray foam rubber, round) (66 Barracuda, Dart, Fury, Valiant, 70-72 Duster, Demon, 66-67, 71-74 Charger, 66-74 Belvedere, Roadrunner, Satellite, 77-79 Lil Red Truck)	GEN6679LP01	\$1.00
10	66 Belvedere reverse light gasket set (gray foam rubber lense to housing, black firm foam runner functional equiv of factory molded rubber housing to body gaskets)	BBE6666RL01	\$10.00

NOTE: We also have to following for your make / model;

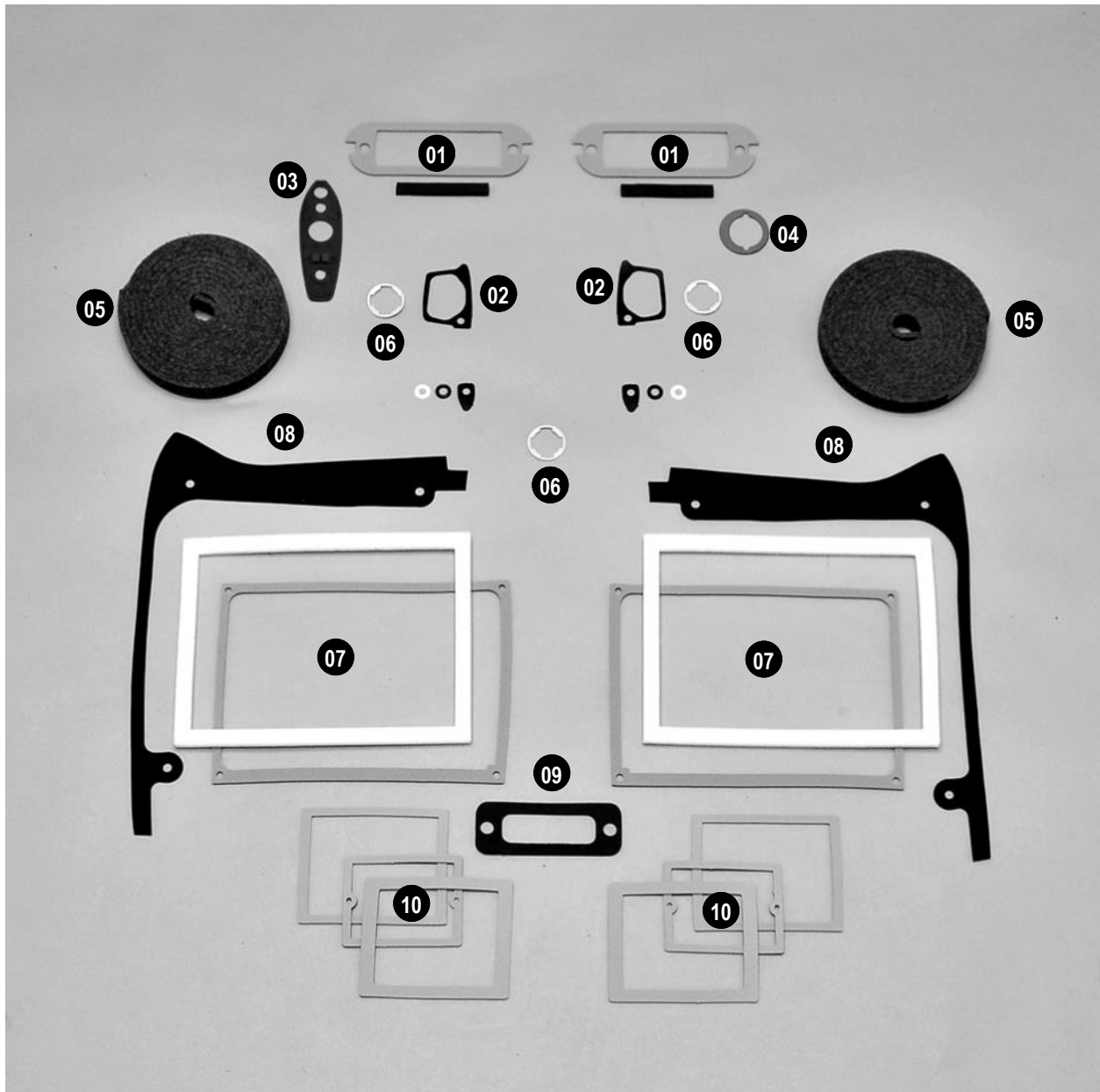
- A/C & Non A/C Firewall gasket sets
- A/C & Non A/C Heater box restoration gasket kits
- Firewall insulation, kickpanel insulation, shoddy pad
- Rubber splash shields sets



23624 Roseberry Ave Warren, MI 48089 586-777-7167 fax 586-777-7947
www.DetroitMuscleTechnologies.com

66-70 B Body

67 Belvedere Exterior / Paint Gasket Set BBE6767PK01 \$64.00



23624 Roseberry Ave Warren, MI 48089 586-777-7167 fax 586-777-7947
www.DetroitMuscleTechnologies.com

66-70 B Body

67 Belvedere Exterior / Paint Set Gaskets

01	65 & 67 Not 66 Belvedere parking light gaskets (pair with black firm foam rubber bumper strips)	BBE6567PL01	\$8.00
02	66-67 B Body door handle gaskets (set, black plastic handle to door including teardrop, circle and mylar handle end to door gasket. Different models/years/plants used different options. Also o-rings to seal pushbutton to handle)	BXX6667DH01	\$6.00
03	A/B mirror gasket (67-69 Barracuda, 67-76 Dart, Demon, Duster, Scamp, Swinger, Valiant, 66-70 Charger, Coronet, Belvedere, Roadrunner, Satellite)	ABX6776MI01	\$5.00
04	66-67 Antenna gasket (small hole, 68-76 has larger hole)	GEN6667AN01	\$1.00
05	66-70 B Body weathers-strip channel (two 3/16"x7/8"x72" rolls, for models without pop out rear qtr windows, 66-70 Charger, 66-67 Belvedere, Coronet)	BXX6670DR01	\$10.00
06	62-72 lock gasket (small gray plastic, 67-76 door locks, 62-72 trunk locks, 73-76 trunk lock is different / larger)	GEN6272LK01	\$1.00
07	67 Belvedere taillight gasket set	BBE6767TL01	\$25.00
08	67 Belvedere quarter panel extension gaskets (black abs plastic extension to body like OEM)	BBE6767QE01	\$10.00
09	A/B license plate light gasket (gray foam rubber, round) (66 Barracuda, Dart, Fury, Valiant, 70-72 Duster, Demon, 66-67, 71-74 Charger, 66-74 Belvedere, Roadrunner, Satellite, 77-79 Lil Red Truck)	GEN6679LP01	\$1.00
10	67 Belvedere reverse light gasket set (gray foam rubber lense to housing and housing to body)	BBE6767RL01	\$10.00

NOTE: We also have to following for your make / model;

- **A/C & Non A/C Firewall gasket sets**
- **A/C & Non A/C Heater box restoration gasket kits**
- **Firewall insulation, kickpanel insulation, shoddy pad**
- **Rubber splash shields sets**



23624 Roseberry Ave Warren, MI 48089 586-777-7167 fax 586-777-7947
www.DetroitMuscleTechnologies.com

66-70 B Body

68 Road Runner Exterior / Paint Gasket Set BRR6868PK01 \$76.00



23624 Roseberry Ave Warren, MI 48089 586-777-7167 fax 586-777-7947
www.DetroitMuscleTechnologies.com

66-70 B Body

68 Road Runner Exterior / Paint Set Gaskets

01	68-69 Road Runner parking light gaskets (pair)	BRR6869PL01	\$8.00
02	68-70 B Body door handle gaskets (set, black plastic handle to door including teardrop, circle and mylar handle end to door gasket. Different models/years/plants used different options. Also o-rings to seal pushbutton to handle)	BXX6870DH01	\$6.00
03	A/B mirror gasket (67-69 Barracuda, 67-76 Dart, Demon, Duster, Scamp, Swinger, Valiant, 68-70 Charger, Coronet, Roadrunner, Satellite)	ABX6776MI01	\$5.00
04	68-76 Antenna gasket (66-67 has smaller hole and is different)	GEN6876AN01	\$1.00
05	66-70 B Body weathers-strip channel (two 3/16"x7/8"x72" black poly rolls and two 1/4"x7/8"x72" black single side PVC foam tape for models WITH pop out rear qtr windows, 68-70 Plymouth)	BXX6870DR02	\$20.00
06	62-72 lock gasket (small gray plastic, 67-76 door locks, 62-72 trunk locks, 73-76 trunk lock is different / larger)	GEN6272LK01	\$1.00
07	68 Road Runner taillight gasket set	BRR6868TL01	\$25.00
08	68 Road Runner quarter panel extension gaskets (black abs plastic extension to body like OEM)	BRR6868QE01	\$10.00
09	A/B license plate light gasket (gray foam rubber, round) (66 Barracuda, Dart, Fury, Valiant, 70-72 Duster, Demon, 66-67, 71-74 Charger, 66-74 Belvedere, Roadrunner, Satellite, 77-79 Lil Red Truck)	GEN6679LP01	\$1.00
10	68 A/B side marker light gasket set (these fit all 68 A and B bodies)	ABX6868SM01	\$8.00

NOTE: We also have to following for your make / model;

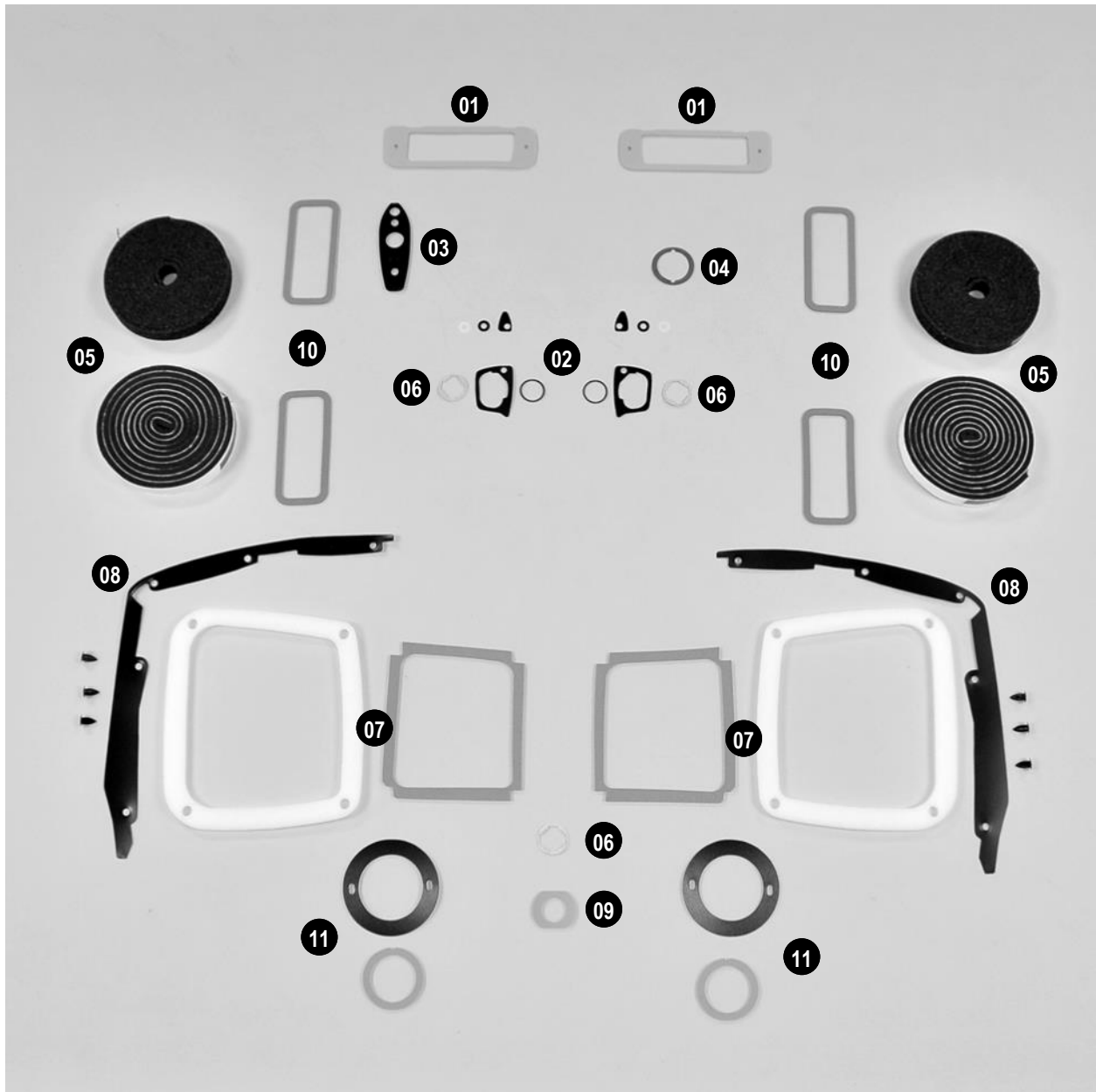
- **A/C & Non A/C Firewall gasket sets**
- **A/C & Non A/C Heater box restoration gasket kits**
- **Firewall insulation, kickpanel insulation, shoddy pad**
- **Rubber splash shields sets**



23624 Roseberry Ave Warren, MI 48089 586-777-7167 fax 586-777-7947
www.DetroitMuscleTechnologies.com

66-70 B Body

69 Road Runner (NOT GTX) Exterior / Paint Gasket Set BRR6969PK01 \$87.00



23624 Roseberry Ave Warren, MI 48089 586-777-7167 fax 586-777-7947
www.DetroitMuscleTechnologies.com

66-70 B Body

69 Road Runner Exterior / Paint Set Gaskets

01	68-69 Road Runner parking light gaskets (pair)	BRR6869PL01	\$8.00
02	68-70 B Body door handle gaskets (set, black plastic handle to door including teardrop, circle and mylar handle end to door gasket. Different models/years/plants used different options. Also o-rings to seal pushbutton to handle)	BXX6870DH01	\$6.00
03	A/B mirror gasket (67-69 Barracuda, 67-76 Dart, Demon, Duster, Scamp, Swinger, Valiant, 68-70 Charger, Coronet, Roadrunner, Satellite)	ABX6776MI01	\$5.00
04	68-76 Antenna gasket (66-67 has smaller hole and is different)	GEN6876AN01	\$1.00
05	66-70 B Body weathers-strip channel (two 3/16"x7/8"x72" black poly rolls and two 1/4"x7/8"x72" black single side PVC foam tape for models WITH pop out rear qtr windows, 68-70 Plymouth)	BXX6870DR02	\$20.00
06	62-72 lock gasket (small gray plastic, 67-76 door locks, 62-72 trunk locks, 73-76 trunk lock is different / larger)	GEN6272LK01	\$1.00
07	69 Road Runner (NOT GTX) taillight gasket set	BRR6969TL01	\$25.00
08	69 Road Runner quarter panel extension gaskets (black abs plastic extension to body like OEM with 6 push pins)	BRR6969QE01	\$15.00
09	A/B license plate light gasket (gray foam rubber, round) (66 Barracuda, Dart, Fury, Valiant, 70-72 Duster, Demon, 66-67, 71-74 Charger, 66-74 Belvedere, Roadrunner, Satellite, 77-79 Lil Red Truck)	GEN6679LP01	\$1.00
10	69 A/B side marker light gasket set (these fit all 69 A and B bodies)	ABX6969SM01	\$10.00
11	69 Road Runner reverse light gaskets (same as 69 Charger) (gray foam rubber lense to housing, black plastic housing to bumper)	BRR6969RL01	\$10.00

NOTE: We also have to following for your make / model;

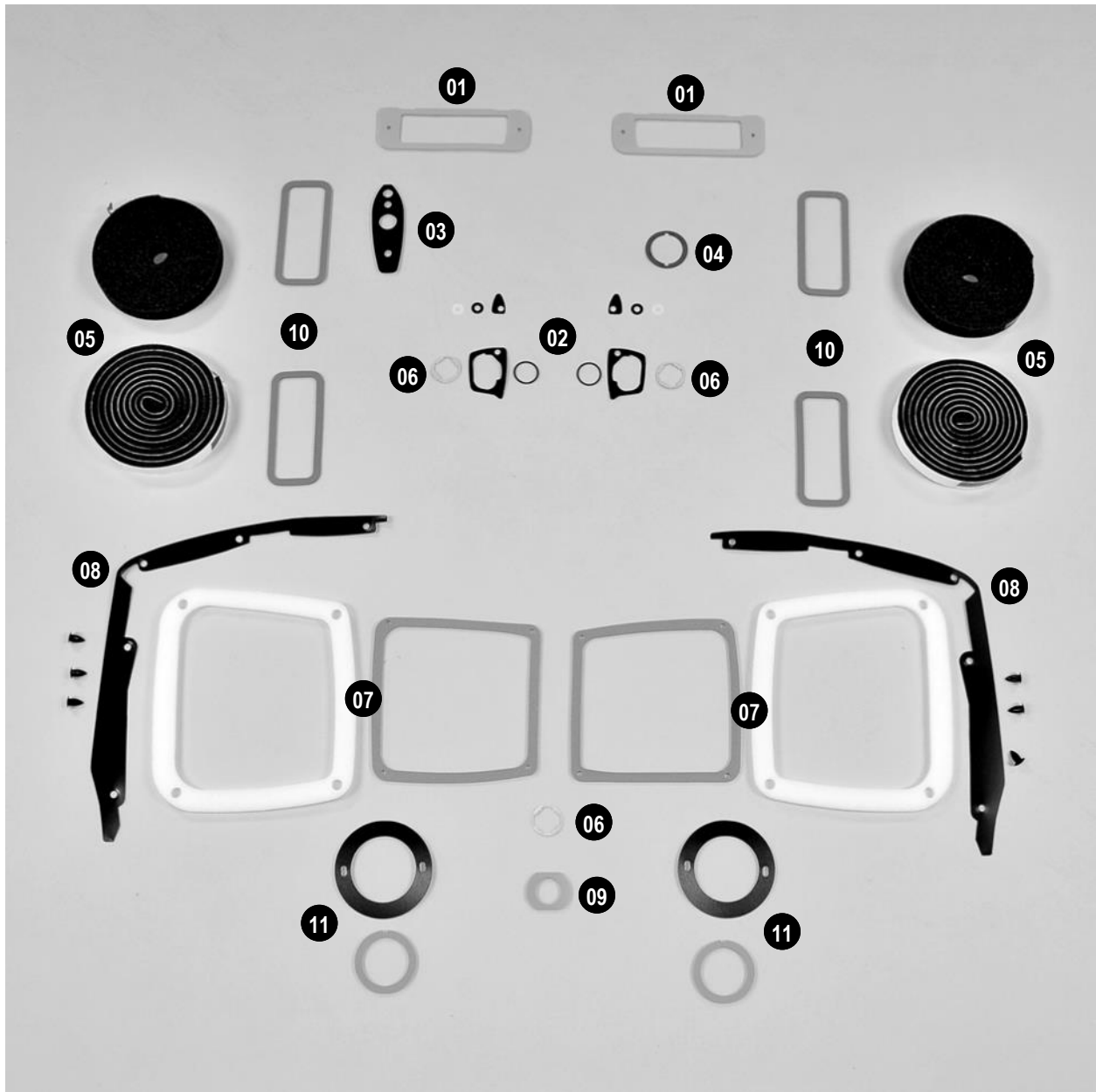
- **A/C & Non A/C Firewall gasket sets**
- **A/C & Non A/C Heater box restoration gasket kits**
- **Firewall insulation, kickpanel insulation, shoddy pad**
- **Rubber splash shields sets**



23624 Roseberry Ave Warren, MI 48089 586-777-7167 fax 586-777-7947
www.DetroitMuscleTechnologies.com

66-70 B Body

69 GTX (NOT Road Runner) Exterior / Paint Gasket Set BRR6969PK02 \$87.00



23624 Roseberry Ave Warren, MI 48089 586-777-7167 fax 586-777-7947
www.DetroitMuscleTechnologies.com

66-70 B Body

69 GTX Exterior / Paint Set Gaskets

01	68-69 Road Runner parking light gaskets (pair)	BRR6869PL01	\$8.00
02	68-70 B Body door handle gaskets (set, black plastic handle to door including teardrop, circle and mylar handle end to door gasket. Different models/years/plants used different options. Also o-rings to seal pushbutton to handle)	BXX6870DH01	\$6.00
03	A/B mirror gasket (67-69 Barracuda, 67-76 Dart, Demon, Duster, Scamp, Swinger, Valiant, 68-70 Charger, Coronet, Roadrunner, Satellite)	ABX6776MI01	\$5.00
04	68-76 Antenna gasket (66-67 has smaller hole and is different)	GEN6876AN01	\$1.00
05	66-70 B Body weathers-strip channel (two 3/16"x7/8"x72" black poly rolls and two 1/4"x7/8"x72" black single side PVC foam tape for models WITH pop out rear qtr windows, 68-70 Plymouth)	BXX6870DR02	\$20.00
06	62-72 lock gasket (small gray plastic, 67-76 door locks, 62-72 trunk locks, 73-76 trunk lock is different / larger)	GEN6272LK01	\$1.00
07	69 GTX (NOT ROAD RUNNER) taillight gasket set	BRR6969TL02	\$25.00
08	69 Road Runner quarter panel extension gaskets (black abs plastic extension to body like OEM with 6 push pins)	BRR6969QE01	\$15.00
09	A/B license plate light gasket (gray foam rubber, round) (66 Barracuda, Dart, Fury, Valiant, 70-72 Duster, Demon, 66-67, 71-74 Charger, 66-74 Belvedere, Roadrunner, Satellite, 77-79 Lil Red Truck)	GEN6679LP01	\$1.00
10	69 A/B side marker light gasket set (these fit all 69 A and B bodies)	ABX6969SM01	\$10.00
11	69 Road Runner reverse light gaskets (same as 69 Charger) (gray foam rubber lense to housing, black plastic housing to bumper)	BRR6969RL01	\$10.00

NOTE: We also have to following for your make / model;

- A/C & Non A/C Firewall gasket sets
- A/C & Non A/C Heater box restoration gasket kits
- Firewall insulation, kickpanel insulation, shoddy pad
- Rubber splash shields sets



23624 Roseberry Ave Warren, MI 48089 586-777-7167 fax 586-777-7947
www.DetroitMuscleTechnologies.com

66-70 B Body

70 Road Runner / GTX Exterior / Paint Gasket Set BRR7070PK01 \$84.00



23624 Roseberry Ave Warren, MI 48089 586-777-7167 fax 586-777-7947
www.DetroitMuscleTechnologies.com

66-70 B Body

70 Road Runner / GTX Exterior / Paint Set Gaskets

01	70 Road Runner parking light gaskets (pair with black firm foam rubber bumpers)	BRR7070PL01	\$8.00
02	68-70 B Body door handle gaskets (set, black plastic handle to door including teardrop, circle and mylar handle end to door gasket. Different models/years/plants used different options. Also o-rings to seal pushbutton to handle)	BXX6870DH01	\$6.00
03	A/B mirror gasket (67-69 Barracuda, 67-76 Dart, Demon, Duster, Scamp, Swinger, Valiant, 68-70 Charger, Coronet, Roadrunner, Satellite)	ABX6776MI01	\$5.00
04	68-76 Antenna gasket (66-67 has smaller hole and is different)	GEN6876AN01	\$1.00
05	66-70 B Body weathers-strip channel (two 3/16"x7/8"x72" black poly rolls and two 1/4"x7/8"x72" black single side PVC foam tape for models WITH pop out rear qtr windows, 68-70 Plymouth)	BXX6870DR02	\$20.00
06	62-72 lock gasket (small gray plastic, 67-76 door locks, 62-72 trunk locks, 73-76 trunk lock is different / larger)	GEN6272LK01	\$1.00
07	70 Road Runner / GTX taillight gasket set	BRR7070TL01	\$25.00
08	A/B license plate light gasket (gray foam rubber, round) (66 Barracuda, Dart, Fury, Valiant, 70-72 Duster, Demon, 66-67, 71-74 Charger, 66-74 Belvedere, Roadrunner, Satellite, 77-79 Lil Red Truck)	GEN6679LP01	\$1.00
09	70 Road Runner reverse light gaskets (gray foam rubber lense to housing, black foam rubber bumpers)	BRR6969RL01	\$8.00
10	70 PLYMOUTH A/B side marker light gasket set (these fit all 70 PLYMOUTH A and B bodies; 70-71 Duster, Roadrunner, Satellite)	ABX7070SM01	\$10.00
11	70 Roadrunner quarter extension gaskets (black ABS plastic)	BRR7070QE01	\$10.00

NOTE: We also have to following for your make / model;

- A/C & Non A/C Firewall gasket sets
- A/C & Non A/C Heater box restoration gasket kits
- Firewall insulation, kickpanel insulation, shoddy pad
- Rubber splash shields sets



23624 Roseberry Ave Warren, MI 48089 586-777-7167 fax 586-777-7947
www.DetroitMuscleTechnologies.com

66-70 B Body

70 Satellite (NOT Road Runner) Exterior / Paint Gasket Set BSA7070PK01 \$72.00



23624 Roseberry Ave Warren, MI 48089 586-777-7167 fax 586-777-7947
www.DetroitMuscleTechnologies.com

66-70 B Body

70 Satellite Exterior / Paint Set Gaskets

01	70 Road Runner parking light gaskets (pair with black firm foam rubber bumpers)	BRR7070PL01	\$8.00
02	68-70 B Body door handle gaskets (set, black plastic handle to door including teardrop, circle and mylar handle end to door gasket. Different models/years/plants used different options. Also o-rings to seal pushbutton to handle)	BXX6870DH01	\$6.00
03	A/B mirror gasket (67-69 Barracuda, 67-76 Dart, Demon, Duster, Scamp, Swinger, Valiant, 68-70 Charger, Coronet, Roadrunner, Satellite)	ABX6776MI01	\$5.00
04	68-76 Antenna gasket (66-67 has smaller hole and is different)	GEN6876AN01	\$1.00
05	66-70 B Body weathers-strip channel (two 3/16"x7/8"x72" black poly rolls and two 1/4"x7/8"x72" black single side PVC foam tape for models WITH pop out rear qtr windows, 68-70 Plymouth)	BXX6870DR02	\$20.00
06	62-72 lock gasket (small gray plastic, 67-76 door locks, 62-72 trunk locks, 73-76 trunk lock is different / larger)	GEN6272LK01	\$1.00
07	70 Satellite (NOT Road Runner) taillight gasket set	BSA7070TL01	\$20.00
08	A/B license plate light gasket (gray foam rubber, round) (66 Barracuda, Dart, Fury, Valiant, 70-72 Duster, Demon, 66-67, 71-74 Charger, 66-74 Belvedere, Roadrunner, Satellite, 77-79 Lil Red Truck)	GEN6679LP01	\$1.00
09	70 Road Runner reverse light gaskets (gray foam rubber lense to housing, black foam rubber bumpers)	BRR6969RL01	\$8.00
10	70 PLYMOUTH A/B side marker light gasket set (these fit all 70 PLYMOUTH A and B bodies; Duster, Road Runner, Satellite)	ABX7070SM01	\$10.00

NOTE: We also have to following for your make / model;

- **A/C & Non A/C Firewall gasket sets**
- **A/C & Non A/C Heater box restoration gasket kits**
- **Firewall insulation, kickpanel insulation, shoddy pad**
- **Rubber splash shields sets**



23624 Roseberry Ave Warren, MI 48089 586-777-7167 fax 586-777-7947
www.DetroitMuscleTechnologies.com

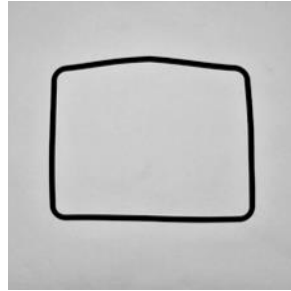
66-70 B Body

66-70 Belvedere, Roadrunner, Satellite misc



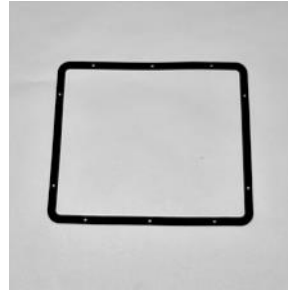
BRR7070HC01 **\$12.00**

**70 Road Runner hood callout
and indicator gaskets**



BRR7070AG01 **\$10.00**

**70 Road Runner air grabber
door to hood seal**
Attaches to recess in hood. Pro-
tects paint from door vibration



BRR7070AG02 **\$10.00**

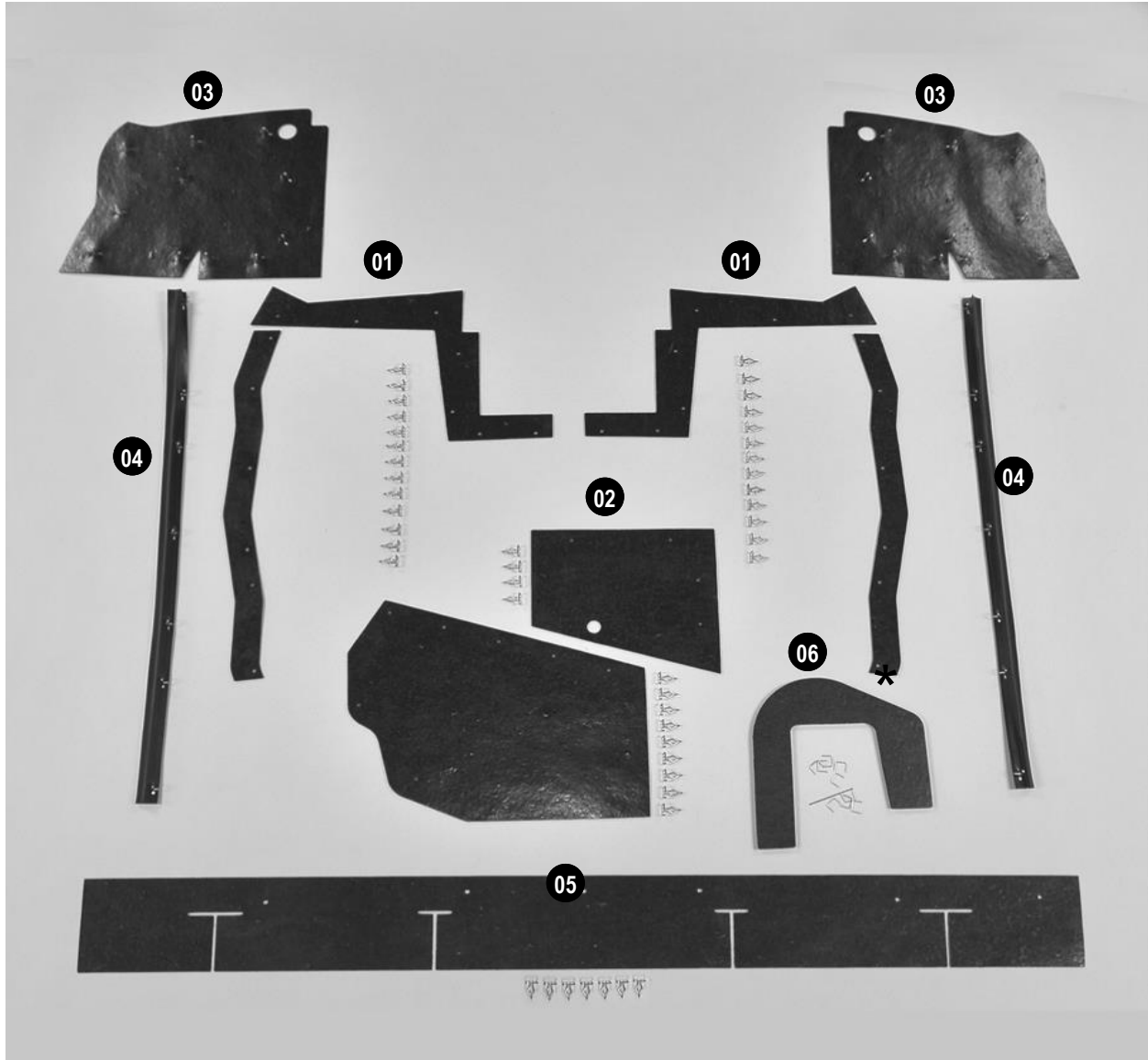
**70 Road Runner air grabber box
to hood seal**
Seals air grabber box to underside
of hood

66-70 B Body

66 Belvedere MEGA Splash Shield Set

BBE6666SS90 \$108.00 (auto trans)

BBE6666SS91 \$97.00 (manual trans)



* AUTO trans use the starter / auto trans linkage, thick, horse shoe shaped splash shield. Manual trans cars don't have this.



23624 Roseberry Ave Warren, MI 48089 586-777-7167 fax 586-777-7947
www.DetroitMuscleTechnologies.com

66-70 B Body

66 Belvedere Splash Shields

01	66 Belvedere headlight splash shield (with 22 OEM style stainless steel push pins, pair)	BBE6666SS10	\$20.00
02	66-70 B Body engine well splash shields (with 13 OEM style stainless steel push pins, set)	BXX6670SS20	\$18.00
03	66 ONLY B Body rear splash plate top splash shields (with OEM style stainless steel staple/clips installed, pair)	BXX6666SS81	\$24.00
04	66-67 B Body rear splash plate side strips (with OEM style stainless steel staple/clips installed, pair)	BXX6667SS82	\$24.00
05	66-67 B Body lower front splash pan splash shield (with 7 OEM style stainless steel clips)	BXX6667SS30	\$22.00
06	66-70 B Body starter / auto linkage splash shield FOR AUTO TRANS CARS ONLY (with 9 OEM style stainless steel staples and drill)	BXX6670SS20	\$12.00



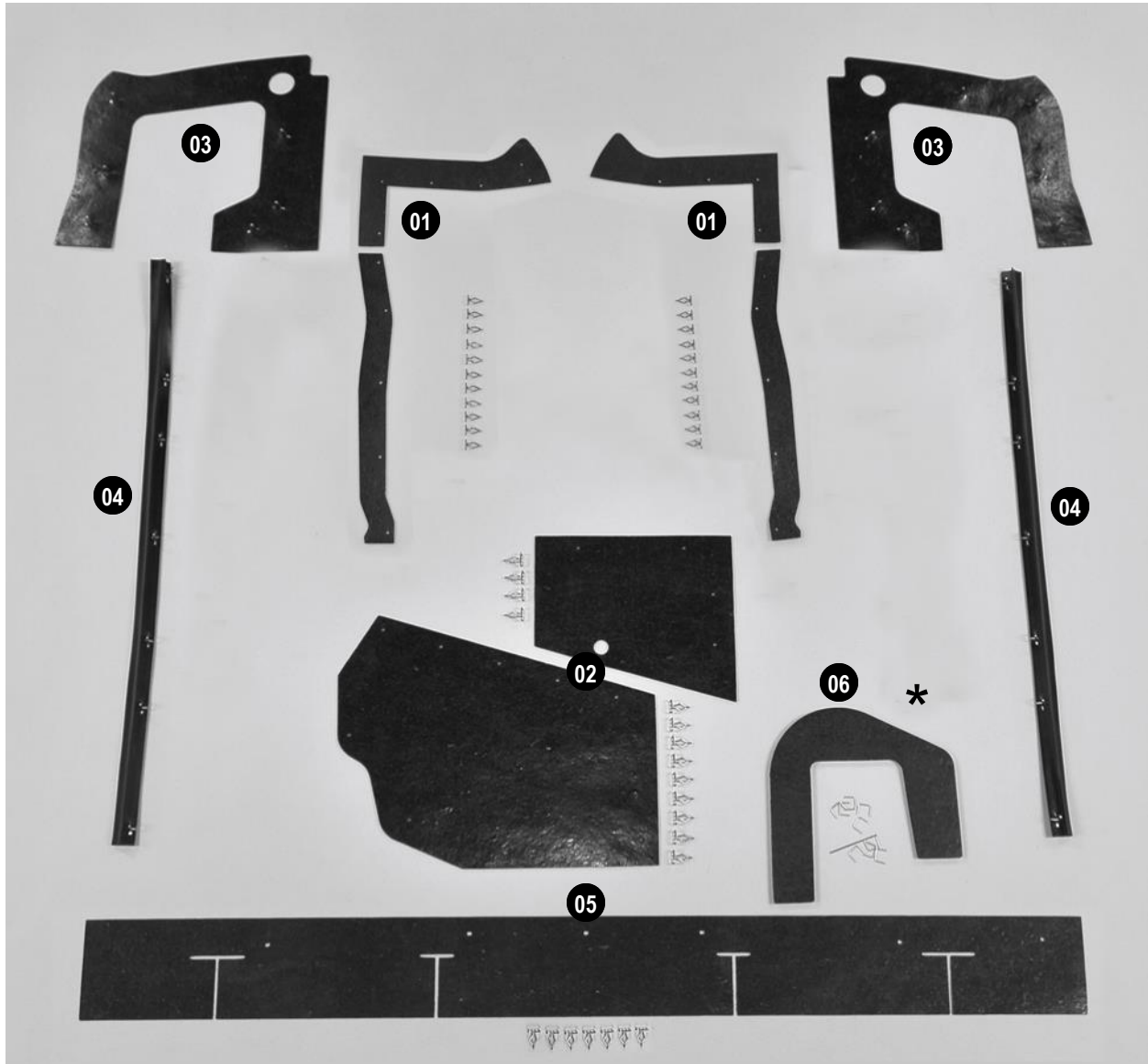
23624 Roseberry Ave Warren, MI 48089 586-777-7167 fax 586-777-7947
www.DetroitMuscleTechnologies.com

66-70 B Body

67 Belvedere MEGA Splash Shield Set

BCH6767SS90 \$102.00 (auto trans)

BCH6767SS91 \$91.00 (manual trans)



* AUTO trans use the starter / auto trans linkage, thick, horse shoe shaped splash shield. Manual trans cars don't have this.

66-70 B Body

67 Belvedere Splash Shields

01	67 Belvedere headlight splash shield (with 22 OEM style stainless steel push pins, pair)	BBE6767SS10	\$20.00
02	66-70 B Body engine well splash shields (with 13 OEM style stainless steel push pins, set)	BXX6670SS20	\$18.00
03	67 ONLY B Body rear splash plate top splash shields (with OEM style stainless steel staple/clips installed, pair)	BXX6767SS81	\$24.00
04	66-67 B Body rear splash plate side strips (with OEM style stainless steel staple/clips installed, pair)	BXX6667SS82	\$24.00
05	66-67 B Body lower front splash pan splash shield (with 7 OEM style stainless steel clips)	BXX6667SS30	\$22.00
06	66-70 B Body starter / auto linkage splash shield FOR AUTO TRANS CARS ONLY (with 9 OEM style stainless steel staples and drill)	BXX6670SS20	\$12.00



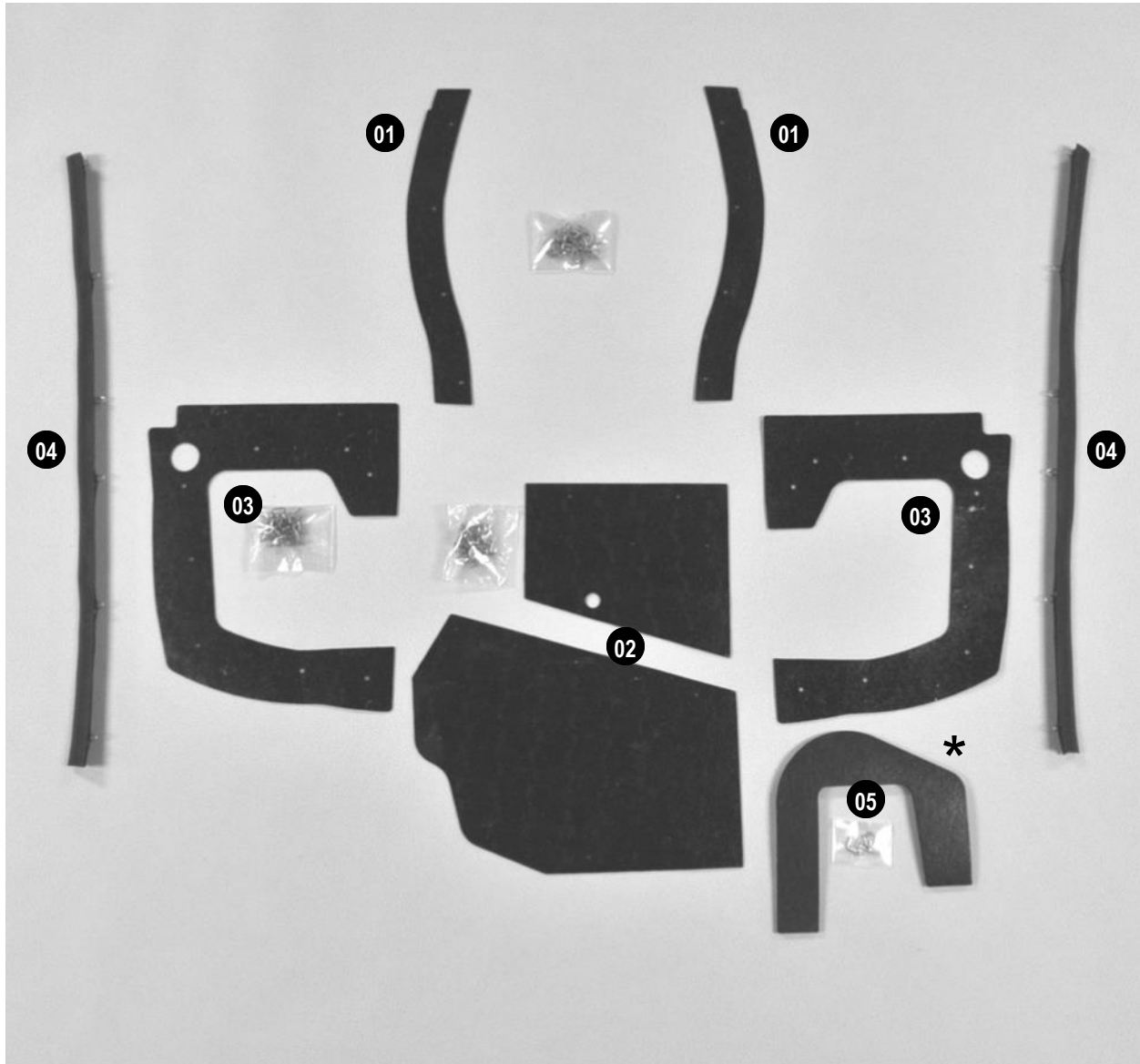
23624 Roseberry Ave Warren, MI 48089 586-777-7167 fax 586-777-7947
www.DetroitMuscleTechnologies.com

66-70 B Body

68-69 Roadrunner MEGA Splash Shield Set

BRR6869SS90 \$81.00 (auto trans)

BRR6869SS91 \$70.00 (manual trans)



* AUTO trans use the starter / auto trans linkage, thick, horse shoe shaped splash shield. Manual trans cars don't have this.



23624 Roseberry Ave Warren, MI 48089 586-777-7167 fax 586-777-7947
www.DetroitMuscleTechnologies.com

66-70 B Body

68-69 Roadrunner Splash Shields

01	68-69 Roadrunner headlight splash shield (with 8 OEM style stainless steel push pins, pair)	BRR6869SS10	\$12.00
02	66-70 B Body engine well splash shields (with 13 OEM style stainless steel push pins, set)	BXX6670SS20	\$18.00
03	68-69 ONLY B Body rear splash plate top splash shields (with OEM style stainless steel staple/clips, pair)	BXX6869SS81	\$24.00
04	68-70 B Body rear splash plate side strips (with OEM style stainless steel staple/clips installed, pair)	BXX6870SS82	\$24.00
05	66-70 B Body starter / auto linkage splash shield FOR AUTO TRANS CARS ONLY (with 9 OEM style stainless steel staples and drill)	BXX6670SS20	\$12.00



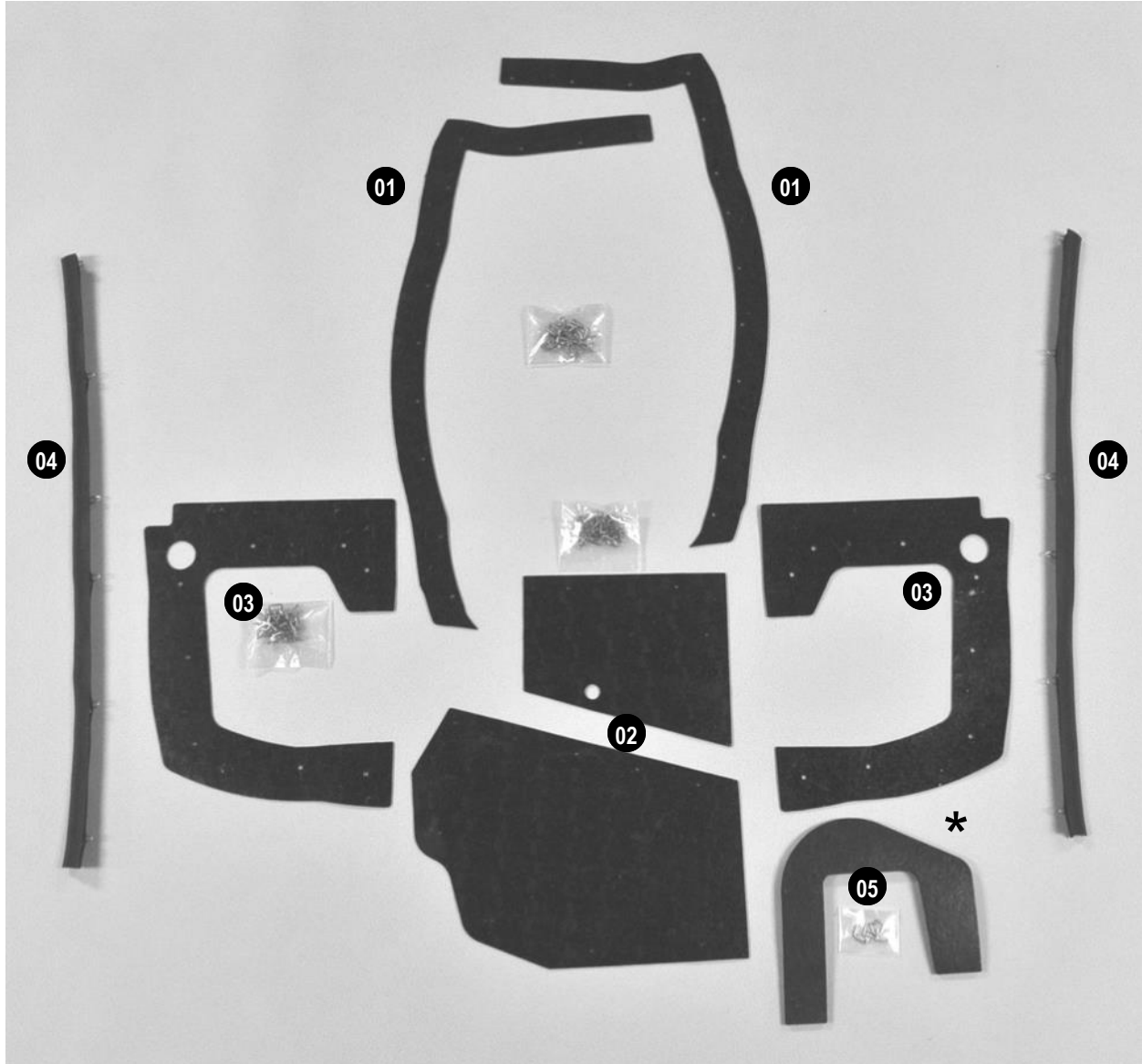
23624 Roseberry Ave Warren, MI 48089 586-777-7167 fax 586-777-7947
www.DetroitMuscleTechnologies.com

66-70 B Body

70 Roadrunner MEGA Splash Shield Set

BRR7070SS90 \$88.00 (auto trans)

BRR7070SS91 \$77.00 (manual trans)



* AUTO trans use the starter / auto trans linkage, thick, horse shoe shaped splash shield. Manual trans cars don't have this.



23624 Roseberry Ave Warren, MI 48089 586-777-7167 fax 586-777-7947
www.DetroitMuscleTechnologies.com

66-70 B Body

70 Roadrunner Splash Shields

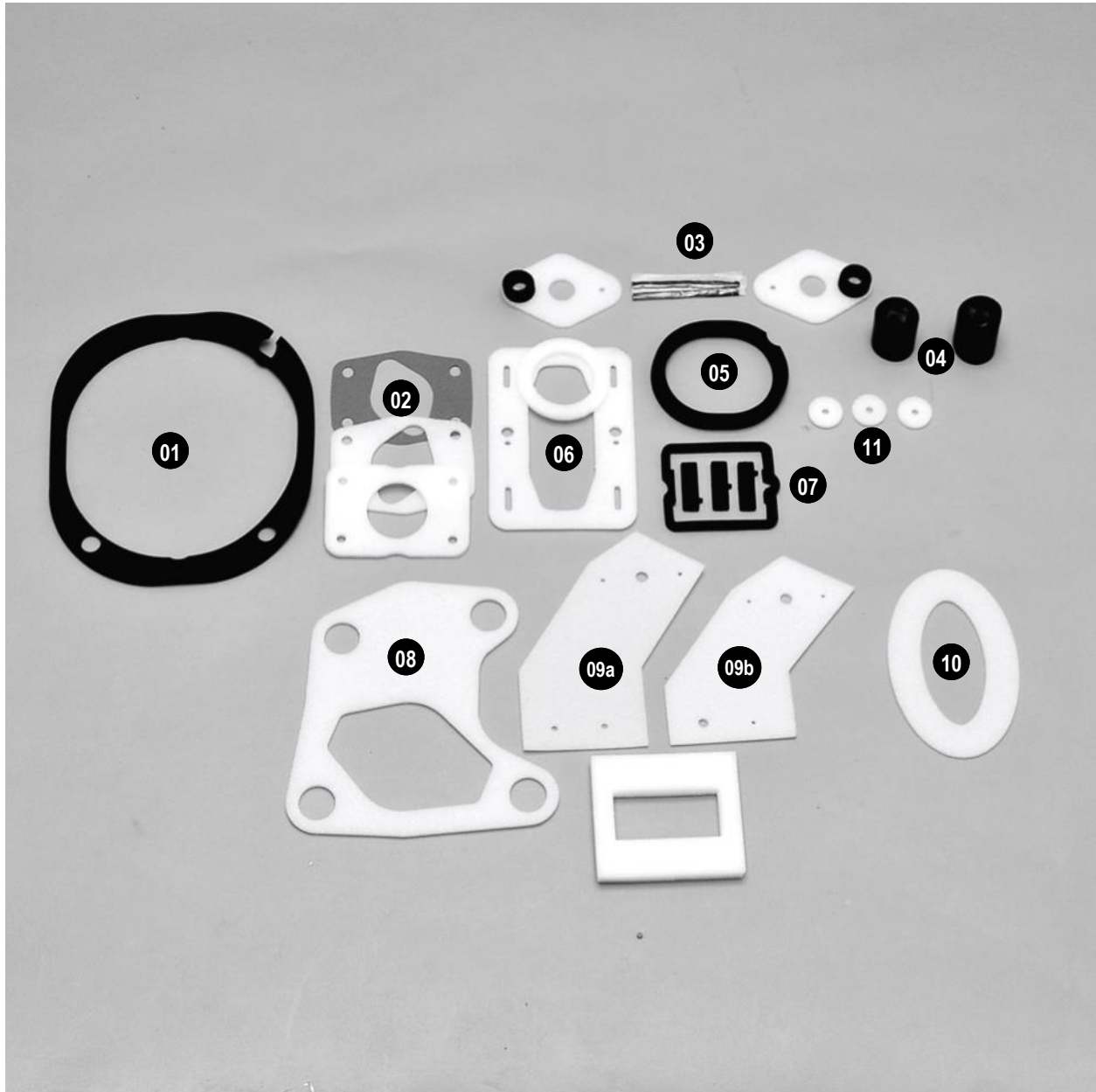
01	70 Roadrunner headlight splash shield (with 24 OEM style stainless steel push pins, pair)	BRR7070SS10	\$21.00
02	66-70 B Body engine well splash shields (with 13 OEM style stainless steel push pins, set)	BXX6670SS20	\$18.00
03	68-69 ONLY B Body rear splash plate top splash shields (with OEM style stainless steel staple/clips, pair)	BXX6869SS81	\$24.00
04	68-70 B Body rear splash plate side strips (with OEM style stainless steel staple/clips installed, pair)	BXX6870SS82	\$24.00
05	66-70 B Body starter / auto linkage splash shield FOR AUTO TRANS CARS ONLY (with 9 OEM style stainless steel staples and drill)	BXX6670SS20	\$12.00



23624 Roseberry Ave Warren, MI 48089 586-777-7167 fax 586-777-7947
www.DetroitMuscleTechnologies.com

66-70 B Body

66-70 B Body BASIC Non A/C Firewall Gasket Set BXX6670FW01 \$30.00



23624 Roseberry Ave Warren, MI 48089 586-777-7167 fax 586-777-7947
www.DetroitMuscleTechnologies.com

66-70 B Body

66-70 B Body BASIC Non A/C Firewall Gasket Set

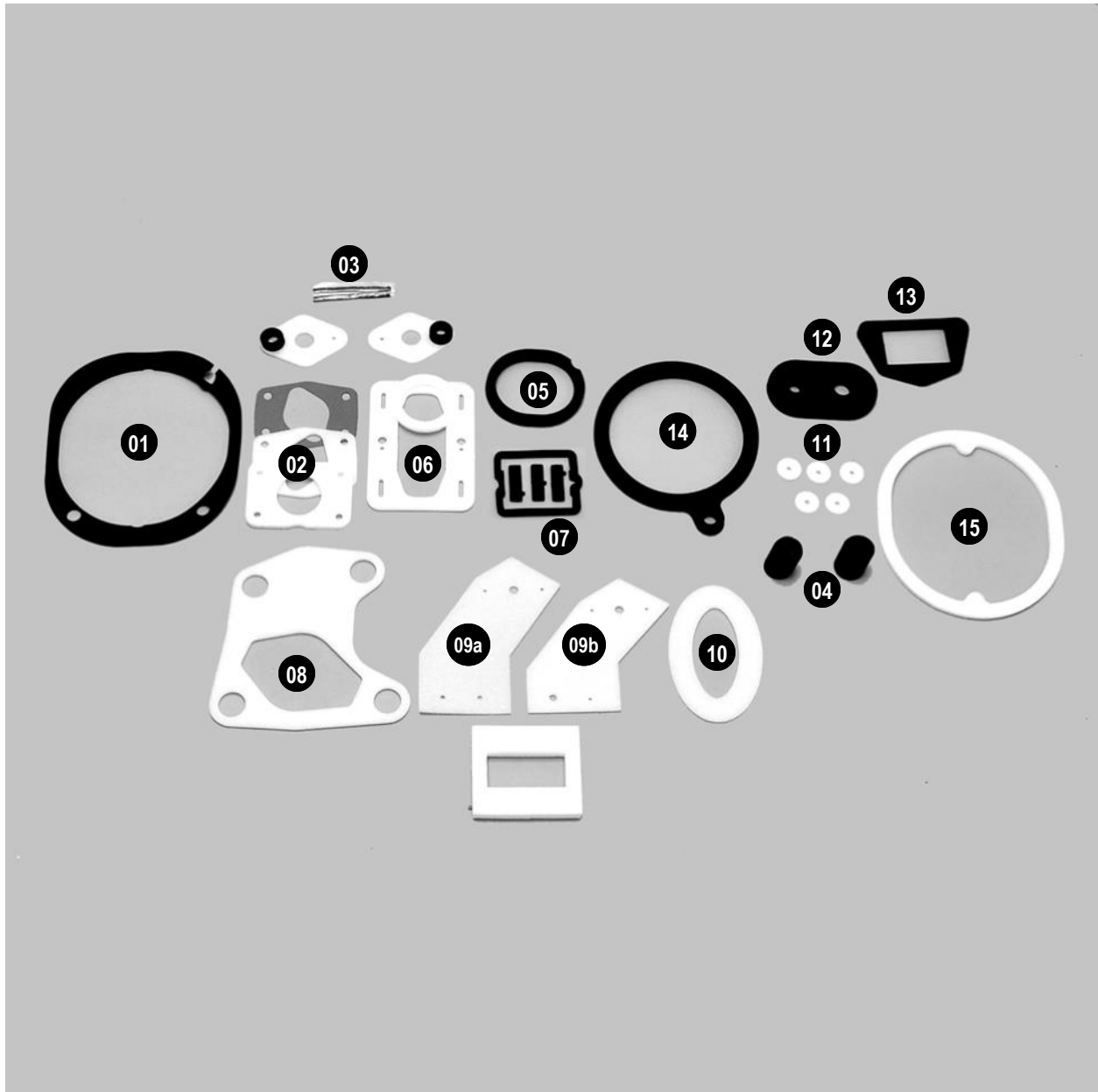
01	66-70 B Body drivers side fresh air vent to cowl seal	BXX6670FV01	\$4.00
02	Generic master cylinder gaskets set (3pcs to cover all different applications)	GEN6676MC01	\$6.00
03	66-70 B Body wiper pivot to cowl seals (white poly foam with butyl caulk sealing strips)	ELB7071WP01	\$10.00
04	66-70 B Body heater core tubes to firewall seals (2 large)	N/A	N/A
05	Generic wiper motor to cowl seal (black foam rubber)	GEN6676WM01	\$3.00
06	66-70 B Body brake booster to firewall gasket (white poly foam and donut for brake booster)	BXX6670BB01	\$4.00
07	66-74 A Body & 66-70 B Body electrical bulkhead connector seal set (black foam rubber with connector terminal inserts)	ABX6674BH01	\$6.00
08	66-70 B Body steering column to firewall seal (OEM style fine texture white poly foam - large round hole)	BXX6670SC01	\$4.00
09a	66-67 B Body accel pedal to firewall gasket (shorter white poly bracket to firewall, thick white poly foam square for pedal to)	BXX6667AP01	\$4.00
09b	68-70 B Body accel pedal to firewall gasket (longer white poly bracket to firewall, thick white poly foam square for pedal to)	BXX6870AP01	\$4.00
10	66-70 B Body auto trans linkage to hump gasket	BXX6670SH01	\$2.00
11	Generic heater box studs to firewall seals (white poly donuts, 3pcs)	N/A	N/A



23624 Roseberry Ave Warren, MI 48089 586-777-7167 fax 586-777-7947
www.DetroitMuscleTechnologies.com

66-70 B Body

66-70 B Body BASIC A/C Firewall Gasket Set BXX6670FW01 \$39.00



23624 Roseberry Ave Warren, MI 48089 586-777-7167 fax 586-777-7947
www.DetroitMuscleTechnologies.com

66-70 B Body

66-70 B Body A/C Firewall Gaskets



01	66-70 B Body drivers side fresh air vent to cowl seal	BXX6670FV01	\$4.00
02	Generic master cylinder gaskets set (3pcs to cover all different applications)	GEN6676MC01	\$6.00
03	66-70 B Body wiper pivot to cowl seals (white poly foam with butyl caulk sealing strips)	ELB7071WP01	\$10.00
04	66-70 B Body heater core tubes to firewall seals (2 large)	N/A	N/A
05	Generic wiper motor to cowl seal (black foam rubber)	GEN6676WM01	\$3.00
06	66-70 B Body brake booster to firewall gasket (white poly foam and donut for brake booster)	BXX6670BB01	\$4.00
07	66-74 A Body & 66-70 B Body electrical bulkhead connector seal set (black foam rubber with connector terminal inserts)	ABX6674BH01	\$6.00
08	66-70 B Body steering column to firewall seal (OEM style fine texture white poly foam - large round hole)	BXX6670SC01	\$4.00
09a	66-67 B Body accel pedal to firewall gasket (shorter white poly bracket to firewall, thick white poly foam square for pedal to)	BXX6667AP01	\$4.00
09b	68-70 B Body accel pedal to firewall gasket (longer white poly bracket to firewall, thick white poly foam square for pedal to)	BXX6870AP01	\$4.00
10	66-70 B Body auto trans linkage to hump gasket	BXX6670SH01	\$2.00
11	Generic heater box studs to firewall seals (white poly donuts)	N/A	N/A
12	66-70 B Body A/C heater box evaporator tubes to firewall seal (thick black foam rubber)	BXX6670HB33	\$3.00
13	66-70 B Body A/C water valve to firewall seal (thick black foam rubber)	BXX6670HB34	\$3.00
14	66-70 B Body A/C blower motor / box to firewall seal (thick black foam rubber)	BXX6670HB31	\$5.00
15	66-70 B Body A/C fresh air vent convoluted tube to cowl seal (large oval, 5/16" T white poly foam)	BXX6670HB32	\$4.00



23624 Roseberry Ave Warren, MI 48089 586-777-7167 fax 586-777-7947
www.DetroitMuscleTechnologies.com

66-70 B Body

firewall, misc

		<p>No Picture Yet</p>	
<p>BXX6670Fi01 \$42.00 Non AC firewall insulation with OEM correct pins / clips 66-70 Charger, Coronet, Roadrunner, Satellite</p>	<p>BXX6670Fi10 \$36.00 AC firewall insulation with OEM correct pins / clips 66-70 Charger, Coronet, Roadrunner, Satellite</p>	<p>BXX6670KP01 \$22.00 Kickpanel insulation 66-70 Charger, Coronet, Roadrunner, Satellite</p>	
<p>No Picture Yet</p> <p>BXX6667SH01 \$18.00 66-67 Charger, Coronet, Roadrunner, Satellite underdash shoddy pad</p>	<p>No Picture Yet</p> <p>BXX6870SH02 \$18.00 68-70 Charger, Coronet, Roadrunner, Satellite underdash shoddy pad</p>		

66-70 B Body

weatherstrip, misc



BXX6670HC01 \$35.00

Hood to cowl seal
66-70 Belvedere, Charger, Coronet, Roadrunner, Satellite



BXX6667HR01 \$45.00

Hood to radiator support seal WITH STAINLESS STEEL CLIPS
66-67 Belvedere, Charger, Coronet, Roadrunner, Satellite



BXX6869HR01 \$45.00

Hood to radiator support seal WITH STAINLESS STEEL CLIPS
68-69 Belvedere, Charger, Coronet, Roadrunner, Satellite



BXX7070HR01 \$45.00

Hood to radiator support seal WITH STAINLESS STEEL CLIPS
70 Belvedere, Charger, Coronet, Roadrunner, Satellite



BRR6869WS01 \$190.00

5Pc Weatherstrip kit
68-69 Roadrunner, Satellite
HARDTOP
Trunk, door and window
108



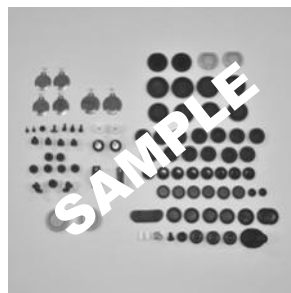
BRR70WS01 \$190.00

5Pc Weatherstrip kit
70 Coronet, Roadrunner, Satellite
HARDTOP
Trunk, door and window
110



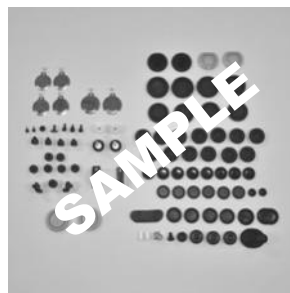
BXX6667BK01 \$95.00

Mega body plug and bumper kit
66-67 All models
Every body plug, bumper, hood wedges, visor tips, firewall grommets



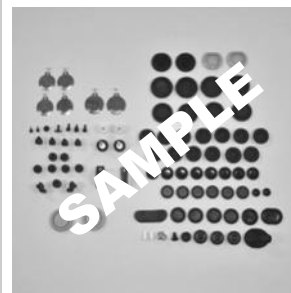
BXX6868BK01 \$115.00

Mega body plug and bumper kit
68 All models
Every body plug, bumper, hood wedges, visor tips, firewall grommets



BXX6969BK01 \$110.00

Mega body plug and bumper kit
69 All models
Every body plug, bumper, hood wedges, visor tips, firewall grommets



BXX7070BK01 \$125.00

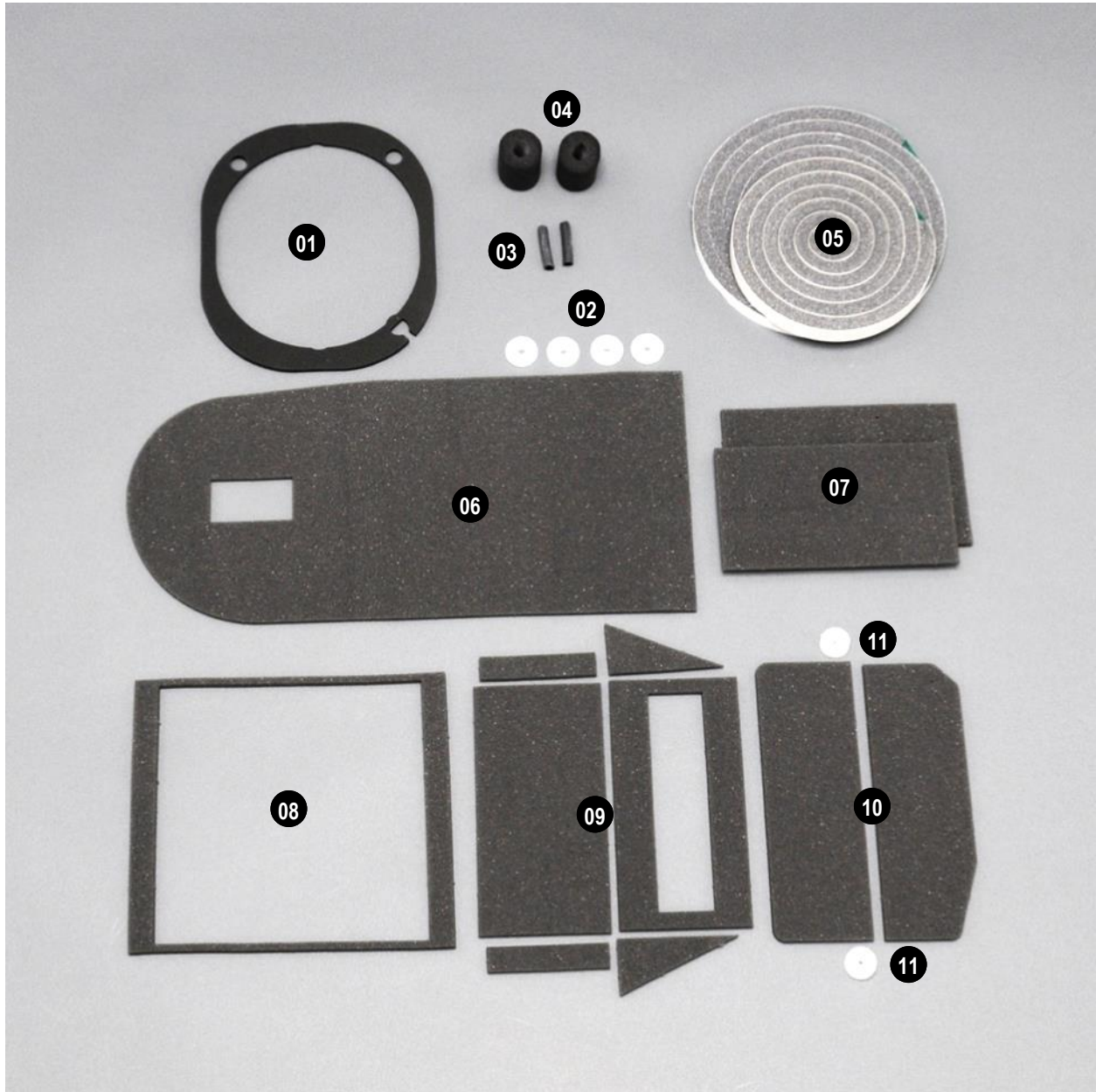
Mega body plug and bumper kit
70 All models
Every body plug, bumper, hood wedges, visor tips, firewall grommets



23624 Roseberry Ave Warren, MI 48089 586-777-7167 fax 586-777-7947
www.DetroitMuscleTechnologies.com

66-70 B Body

66-70 B Body BASIC Non A/C Heater Box Resto Kit BXX6670HB01 \$35.00



23624 Roseberry Ave Warren, MI 48089 586-777-7167 fax 586-777-7947
www.DetroitMuscleTechnologies.com

66-70 B Body

66-70 B Body BASIC Non A/C Heater Box Resto Kit

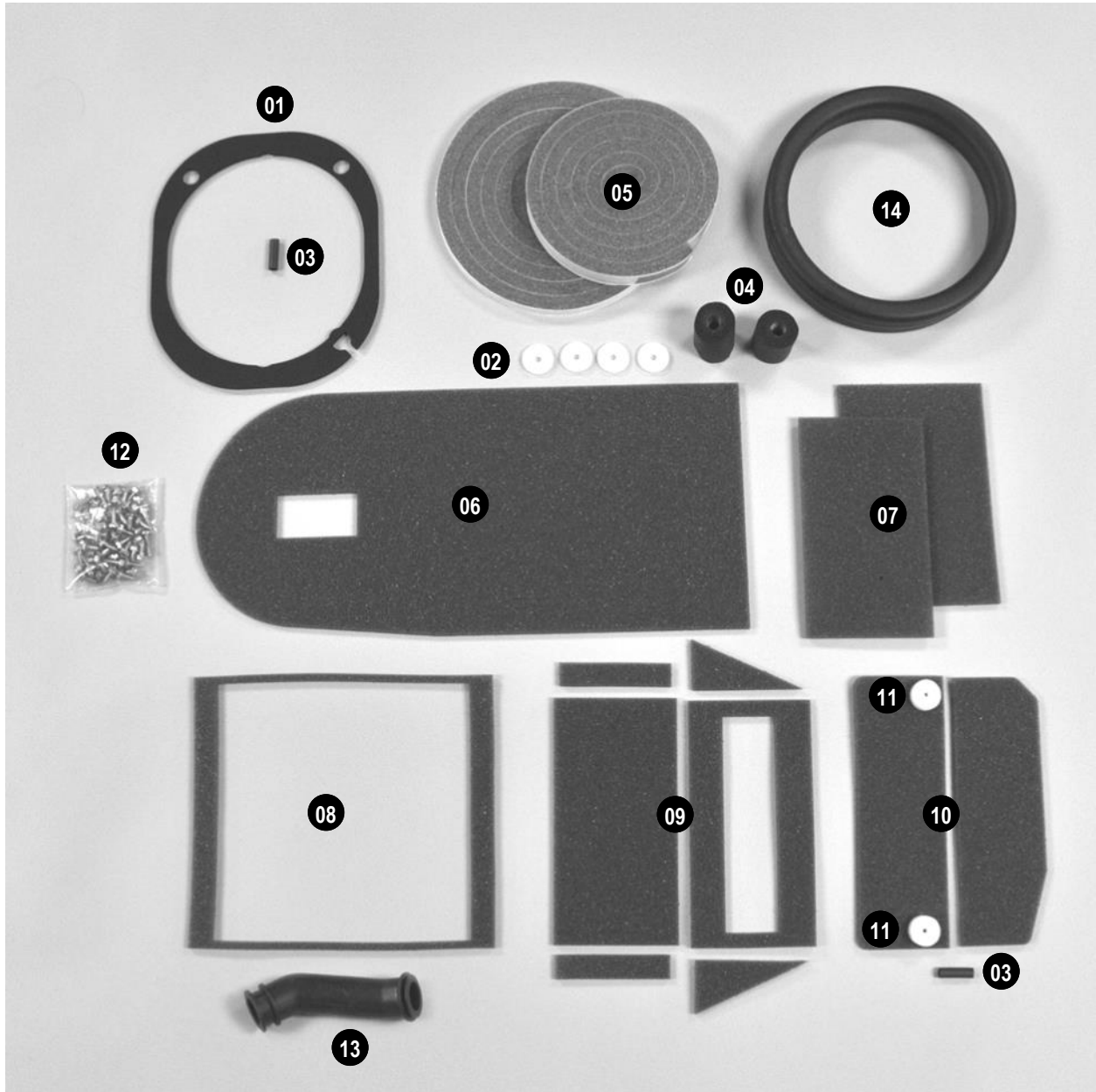
01	66-70 B Body drivers side fresh air vent to cowl seal	BXX6670FV01	\$4.00
02	Firewall stud seal (4pcs white poly donut)	N/A	N/A
03	Heater box door actuator arm rubber bumper tubes (2 5/16"ID x1-1/2" rubber tubes)	N/A	N/A
04	66-70 B Body heater core tubes to firewall seals (1 large, 1 small)	N/A	N/A
05	66-70 B Body non A/C heater box half sealing strips (1/2"x1/2"x10' and 1/2"x3/4"x6' adhesive backed charcoal foam strips)	N/A	N/A
06	66-70 B Body non A/C heater metal backing foam (charcoal foam)	N/A	N/A
07	Door foams (charcoal foam)	N/A	N/A
08	Heater core perimeter sealing foam (charcoal foam)	N/A	N/A
09	Door foams (charcoal foam)	N/A	N/A
10	Fresh air door foams (charcoal foam)	N/A	N/A
11	Door anti rattle bushings (2pcs thick white poly foam donuts)	N/A	N/A



23624 Roseberry Ave Warren, MI 48089 586-777-7167 fax 586-777-7947
www.DetroitMuscleTechnologies.com

66-70 B Body

66-70 B Body BIG Non A/C Heater Box Resto Kit BXX6670HB02 \$76.00



23624 Roseberry Ave Warren, MI 48089 586-777-7167 fax 586-777-7947
www.DetroitMuscleTechnologies.com

66-70 B Body

66-70 B Body BIG Non A/C Heater Box Resto Kit

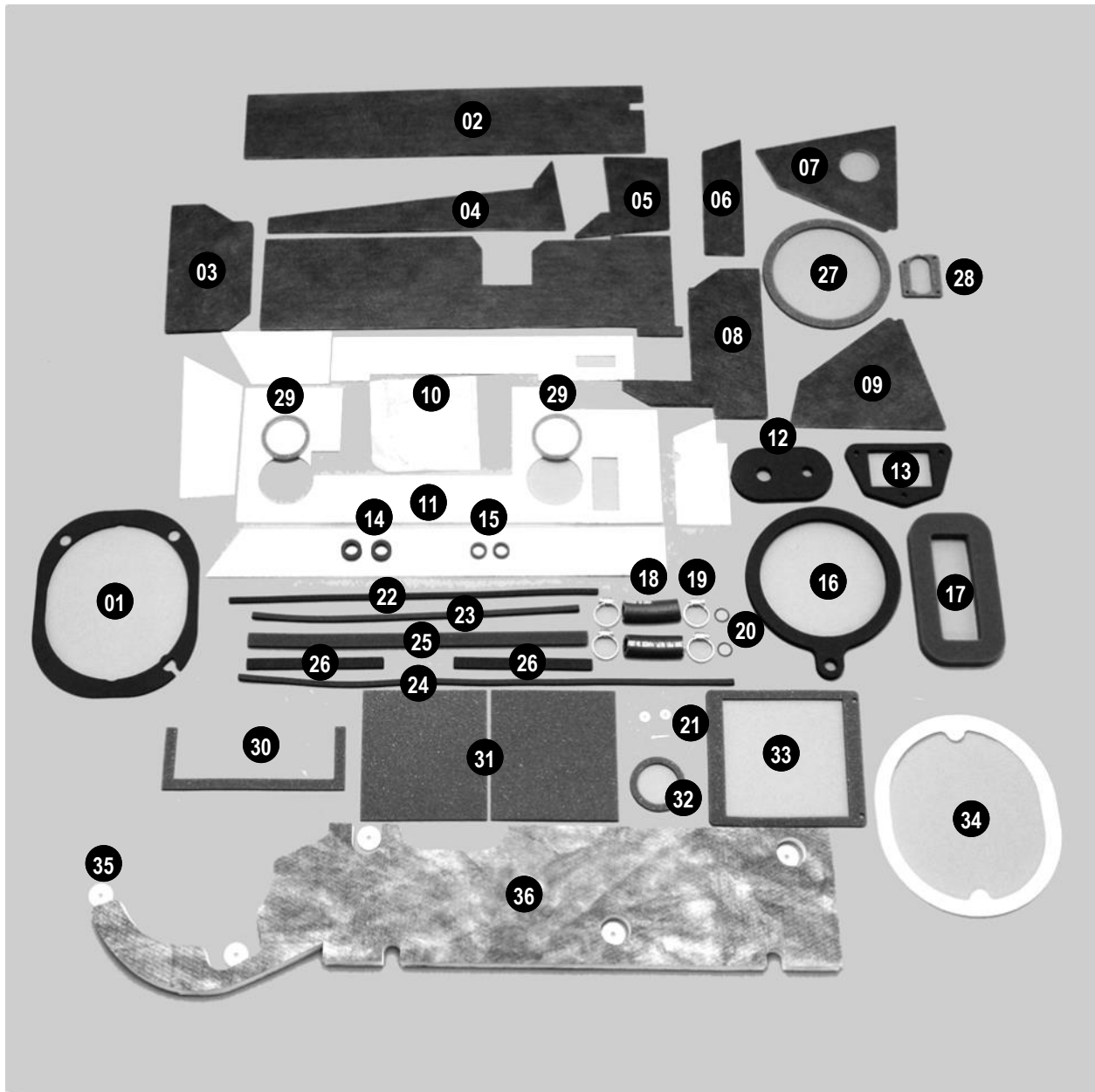
01	66-70 B Body drivers side fresh air vent to cowl seal	BXX6670FV01	\$4.00
02	Firewall stud seal (4pcs white poly donut)	N/A	N/A
03	Heater box door actuator arm rubber bumper tubes (2 5/16"ID x1-1/2" rubber tubes)	N/A	N/A
04	66-70 B Body heater core tubes to firewall seals (1 large, 1 small)	N/A	N/A
05	66-70 B Body non A/C heater box half sealing strips (1/2"x1/2"x10' and 1/2"x3/4"x6' adhesive backed charcoal foam strips)	N/A	N/A
06	66-70 B Body non A/C heater metal backing foam (charcoal foam)	N/A	N/A
07	Door foams (charcoal foam)	N/A	N/A
08	Heater core perimeter sealing foam (charcoal foam)	N/A	N/A
09	Door foams (charcoal foam)	N/A	N/A
10	Fresh air door foams (charcoal foam)	N/A	N/A
11	Door anti rattle bushings (2pcs thick white poly foam donuts)	N/A	N/A
12	66-70 Body non A/C stainless steel screw kit (53pcs)	BXX6670HB21	\$15.00
13	66-70 Body non A/C blow motor cooling vent tube	BXX6670BT01	\$19.00
14	70-74 E body, 71-74 B Body A/C & 66-70 B Body Non A/C heater box to cowl seal (sponge rubber exactly like OEM)	GEN6674HB01	\$15.00



23624 Roseberry Ave Warren, MI 48089 586-777-7167 fax 586-777-7947
www.DetroitMuscleTechnologies.com

66-70 B Body

66-70 B Body BASIC A/C Heater Box Resto Kit BXX6670HB10 \$99.00



23624 Roseberry Ave Warren, MI 48089 586-777-7167 fax 586-777-7947
www.DetroitMuscleTechnologies.com

66-70 B Body

66-70 B Body BASIC A/C Heater Box Resto Kit 1of2

01	66-70 B Body drivers side fresh air vent to cowl seal	BXX6670FV01	\$4.00
02	66-70 B Body A/C heater section 1/4" T insulation	N/A	N/A
03	66-70 B Body A/C heater section 1/4" T insulation	N/A	N/A
04	66-70 B Body A/C heater section 1/4" T insulation	N/A	N/A
05	66-70 B Body A/C heater section 1/4" T insulation	N/A	N/A
06	66-70 B Body A/C heater section 1/4" T insulation	N/A	N/A
07	66-70 B Body A/C heater section 1/4" T insulation	N/A	N/A
08	66-70 B Body A/C heater section 1/4" T insulation	N/A	N/A
09	66-70 B Body A/C heater section 1/4" T insulation	N/A	N/A
10	Generic white strip caulk	N/A	N/A
11	66-70 B Body A/C evaporator section 3/16" T styrofoam insulation (5pcs)	N/A	N/A
12	66-70 B Body A/C heater box evaporator tubes to firewall seal (thick black foam rubber)	BXX6670HB33	\$3.00
13	66-70 B Body A/C water valve to firewall seal (thick black foam rubber)	BXX6670HB34	\$3.00
14	66-70 B Body A/C evaporator drain tube (external) seals (larger black foam rubber donuts)	N/A	N/A
15	66-70 B Body A/C evaporator drain tube (internal) seals (smaller black foam rubber donuts)	N/A	N/A
16	66-70 B Body blower motor / box to firewall seal (thick black foam rubber)	BXX6670HB31	\$4.00
17	66-70 B Body A/C heater box outlet to defroster vent foam seal (3/4" thick fine celled foam)	N/A	N/A
18	66-70 B Body A/C heater core to internal water valve 5/8" ID hose (2pcs)	N/A	N/A
19	#10 Stainless steel hose clamps (4pcs)	N/A	N/A
20	O-rings to seal heater core valve to external tubes (2pcs)	N/A	N/A
21	3/16" linkage push nuts (2pcs), linkage cotter pin	N/A	N/A
22	66-70 B Body A/C internal door seal top side (1/4"x1/4"x17" black foam rubber)	N/A	N/A
23	66-70 B Body A/C internal door seal bottom side (1/4"x1/4"x15" black foam rubber)	N/A	N/A



23624 Roseberry Ave Warren, MI 48089 586-777-7167 fax 586-777-7947
www.DetroitMuscleTechnologies.com

66-70 B Body

66-70 B Body BASIC A/C Heater Box Resto Kit 2of2

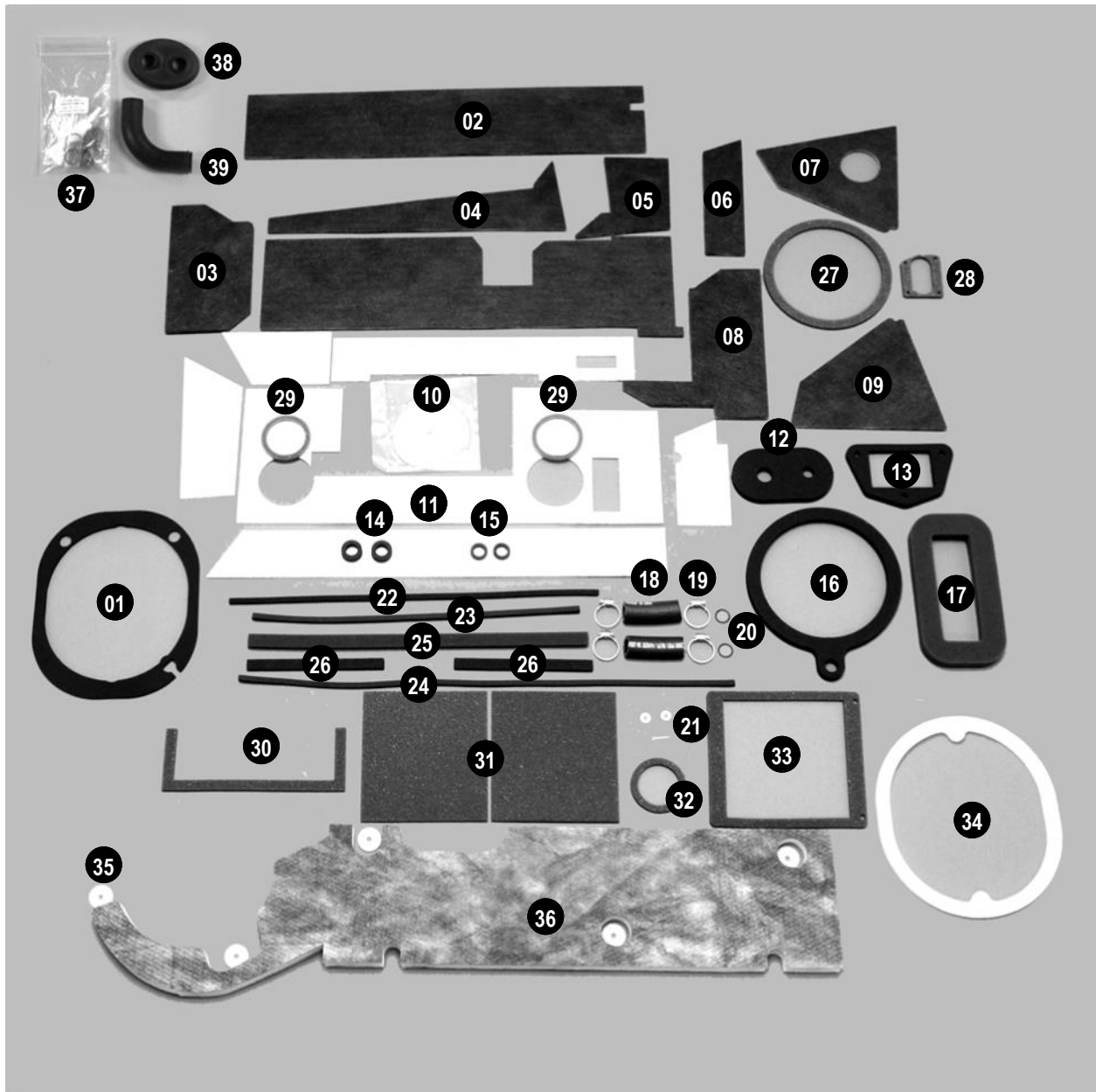
24	66-70 B Body A/C back side of heater core seal (1/4"x1/4"x22" black foam rubber)	N/A	N/A
25	66-70 B Body A/C heater core edge seal (1/2"x1/2"x15" charcoal foam)	N/A	N/A
26	66-70 B Body A/C side of heater core seals (1/4"x1/2"x7" black foam rubber, 2pcs)	N/A	N/A
27	66-70 B Body A/C triangular fresh air door housing to main box seal (charcoal foam)	N/A	N/A
28	66-70 B Body A/C external valve to box seal - not on all units (charcoal foam)	N/A	N/A
29	66-70 B Body A/C round vent outlet door seals (charcoal foam, 2pcs)	N/A	N/A
30	66-70 B Body A/C internal door edge seal (charcoal foam, 2pcs)	N/A	N/A
31	66-70 B Body A/C internal door side seals (large square charcoal foam, 2pcs)	N/A	N/A
32	66-70 B Body A/C external control valve seal - not on all units (charcoal foam)	N/A	N/A
33	66-70 B Body A/C fresh air convoluted tube to box foam seal (charcoal foam)	N/A	N/A
34	66-70 B Body A/C fresh air vent convoluted tube to cowl seal (large oval, 5/16" T white poly foam)	BXX6670HB32	\$4.00
35	Firewall stud seal (white poly donut, 5pcs)	N/A	N/A
36	66-70 B Body A/C heater box to firewall insulation	BXX6670HB35	\$8.00



23624 Roseberry Ave Warren, MI 48089 586-777-7167 fax 586-777-7947
www.DetroitMuscleTechnologies.com

66-70 B Body

66-70 B Body BIG A/C Heater Box Resto Kit BXX6670HB11 \$145.00



23624 Roseberry Ave Warren, MI 48089 586-777-7167 fax 586-777-7947
www.DetroitMuscleTechnologies.com

66-70 B Body

66-70 B Body BIG A/C Heater Box Resto Kit 1of2

01	66-70 B Body drivers side fresh air vent to cowl seal	BXX6670FV01	\$4.00
02	66-70 B Body A/C heater section 1/4" T insulation	N/A	N/A
03	66-70 B Body A/C heater section 1/4" T insulation	N/A	N/A
04	66-70 B Body A/C heater section 1/4" T insulation	N/A	N/A
05	66-70 B Body A/C heater section 1/4" T insulation	N/A	N/A
06	66-70 B Body A/C heater section 1/4" T insulation	N/A	N/A
07	66-70 B Body A/C heater section 1/4" T insulation	N/A	N/A
08	66-70 B Body A/C heater section 1/4" T insulation	N/A	N/A
09	66-70 B Body A/C heater section 1/4" T insulation	N/A	N/A
10	Generic white strip caulk	N/A	N/A
11	66-70 B Body A/C evaporator section 3/16" T styrofoam insulation (5pcs)	N/A	N/A
12	66-70 B Body A/C heater box evaporator tubes to firewall seal (thick black foam rubber)	BXX6670HB33	\$3.00
13	66-70 B Body A/C water valve to firewall seal (thick black foam rubber)	BXX6670HB34	\$3.00
14	66-70 B Body A/C evaporator drain tube (external) seals (larger black foam rubber donuts)	N/A	N/A
15	66-70 B Body A/C evaporator drain tube (internal) seals (smaller black foam rubber donuts)	N/A	N/A
16	66-70 B Body blower motor / box to firewall seal (thick black foam rubber)	BXX6670HB31	\$4.00
17	66-70 B Body A/C heater box outlet to defroster vent foam seal (3/4" thick fine celled foam)	N/A	N/A
18	66-70 B Body A/C heater core to internal water valve 5/8" ID hose (2pcs)	N/A	N/A
19	#10 Stainless steel hose clamps (4pcs)	N/A	N/A
20	O-rings to seal heater core valve to external tubes (2pcs)	N/A	N/A
21	3/16" linkage push nuts (2pcs), linkage cotter pin	N/A	N/A
22	66-70 B Body A/C internal door seal top side (1/4"x1/4"x17" black foam rubber)	N/A	N/A
23	66-70 B Body A/C internal door seal bottom side (1/4"x1/4"x15" black foam rubber)	N/A	N/A



23624 Roseberry Ave Warren, MI 48089 586-777-7167 fax 586-777-7947
www.DetroitMuscleTechnologies.com

66-70 B Body

66-70 B Body BIG A/C Heater Box Resto Kit 2of2

24	66-70 B Body A/C back side of heater core seal (1/4"x1/4"x22" black foam rubber)	N/A	N/A
25	66-70 B Body A/C heater core edge seal (1/2"x1/2"x15" charcoal foam)	N/A	N/A
26	66-70 B Body A/C side of heater core seals (1/4"x1/2"x7" black foam rubber, 2pcs)	N/A	N/A
27	66-70 B Body A/C triangular fresh air door housing to main box seal (charcoal foam)	N/A	N/A
28	66-70 B Body A/C external valve to box seal - not on all units (charcoal foam)	N/A	N/A
29	66-70 B Body A/C round vent outlet door seals (charcoal foam, 2pcs)	N/A	N/A
30	66-70 B Body A/C internal door edge seal (charcoal foam, 2pcs)	N/A	N/A
31	66-70 B Body A/C internal door side seals (large square charcoal foam, 2pcs)	N/A	N/A
32	66-70 B Body A/C external control valve seal - not on all units (charcoal foam)	N/A	N/A
33	66-70 B Body A/C fresh air convoluted tube to box foam seal (charcoal foam)	N/A	N/A
34	66-70 B Body A/C fresh air vent convoluted tube to cowl seal (large oval, 5/16"T white poly foam)	BXX6670HB32	\$4.00
35	Firewall stud seal (white poly donut, 5pcs)	N/A	N/A
36	66-70 B Body A/C heater box to firewall insulation	BXX6670HB35	\$8.00
37	Generic A/C O-Ring / lube kit	GEN6276OR01	\$6.00
38	66-70 B Body A/C heater core tubes to firewall grommet	BXX6670HB36	\$29.00
39	67-72 A Body A/C & 66-70 B Body A/C blower motor cooling vent tube	ABX6672VT01	\$19.00



23624 Roseberry Ave Warren, MI 48089 586-777-7167 fax 586-777-7947
www.DetroitMuscleTechnologies.com

66-70 B Body

woodgrain & carbon fiber vinyl overlay



BXX6870WG01 **\$30.00**

Auto console PREMIUM wood-grain overlay
68-70 all models
with instructions



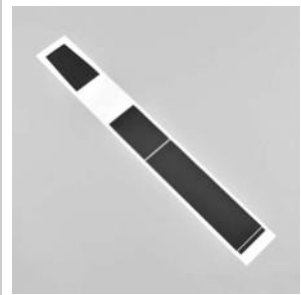
BXX6870WG02 **\$30.00**

4 speed console PREMIUM woodgrain overlay
68-70 all models
with instructions



BXX6870CF01 **\$30.00**

Auto console PREMIUM carbon fiber overlay
68-70 all models
with instructions



BXX6870CF02 **\$30.00**

4 speed console PREMIUM carbon fiber overlay
68-70 all models
with instructions

NOTE:

These overlays are 8mil (.008") premium, exterior architectural grade embossed vinyl. Not some cheap craft store vinyl.

To Install

Remove old overlay.

Sand surface smooth if required (any imperfections will show through).

Clean surface with alcohol.

Spray surface with Windex enough that overlay can be slid into position.

Pat / squeegee with a towel to remove air bubble and excess Windex.

Use a hair dryer to dry edges and to soften material press down into holes on E body dashes.

Important

Keep out of direct sunlight and away from heat until installed.



23624 Roseberry Ave Warren, MI 48089 586-777-7167 fax 586-777-7947
www.DetroitMuscleTechnologies.com

