

# 2020



23624 Roseberry Ave Warren, MI 48089

586-777-7167 fax 586-777-7947

[www.DetroitMuscleTechnologies.com](http://www.DetroitMuscleTechnologies.com)

## **62-65 B BODY RESTORATION GASKETS**

**62 Dart (Polara), 62-64 330, 440, Polara, Polara 500  
65 Coronet  
62-65 Belvedere, 62-64 Fury, Satellite, Savoy  
65 Satellite**

**Goto [www. DetroitMuscleTechnologies.com](http://www.DetroitMuscleTechnologies.com) for  
the latest prices and new items!**

**Whats new...**

NEW DMT Hood Insulation Pads

NEW DMT Under-dash Shoddy Pad Insulation

NEW DMT Mega Firewall Gasket Kits

NEW IMPROVED DMT Firewall / kickpanel insulation kits

**Ask for our Mega Gasket List for your year/model when restoring your car**

# B Body 62-65

## Installation notes

### Suggestions for replacing gaskets

- **Save old gaskets**

Recommend saving all seals and gaskets till your restoration is complete. This way you can verify the gasket / seals received match your originals. IF there are any difference between your originals and our kit I would be interested in hearing about it. I'm always learning.

Contact me at [jamesfillmore@detroitmuscletechnologies.com](mailto:jamesfillmore@detroitmuscletechnologies.com)

- **Pictures**

Highly recommended to take digital pictures when removing old parts/gaskets.

- **Adhesives**

All gaskets can be attached using one of two adhesives.

For the gray charcoal foams or for applications where you don't want to "see" the adhesive, use 3M 77 Spray Adhesive. Available at most chain craft stores.

For all gray foam rubber (like taillight lense to housing gaskets) or any black foam rubber (like air grabber door to hood seals) use 3M Black Weatherstrip Adhesive. Available at most chain auto parts stores. Chrysler used very thin beads of this weatherstrip adhesive to hold gaskets in place during assembly. It's not necessary to provide a seal and will make cleaning or replacement difficult in the future. On any of the lamp lense gaskets I personally wouldn't use adhesive.



# B Body 62-65

## MEGA Restoration Kit Info

We offer MEGA gasket set for each car model in either Non A/C or A/C versions. These kits combine the pieces commonly purchased when doing a repaint or restoration as well as offering an approx 5% combined discount (most of the sets already have a 10% combined discount)

### **Mega Restoration Kits - include the following;**

- Paint gasket set (with mirror gaskets)
- Non A/C or A/C rewall gasket set
- Non A/C or A/C BIG Heater box resto kit
- Engine well splash shields
- Firewall insulation set with NEW OEM style pins
- Kickpanel insulation set
- Under dash shoddy pad
- Weatherstrip set
- Mega body plug and bumper set

### **Not included but optional;**

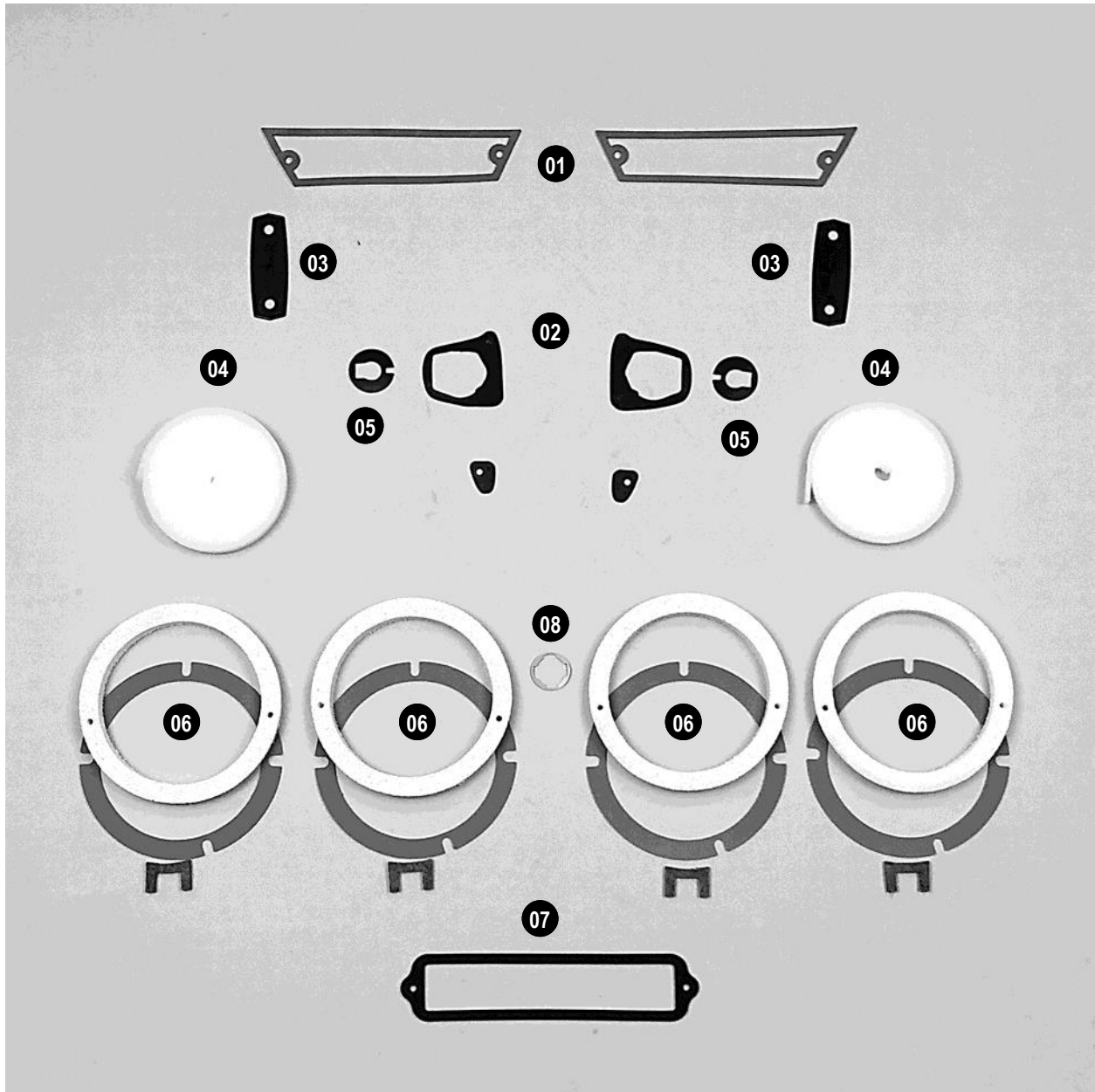
- DMT brand hood to radiator seals with Stainless Steel clips
- DMT brand hood to cowl seals with pre-installed Stainless Steel clips





# B Body 62-65

62 Dart / Polara Exterior / Paint Gasket Set BDA6262PK01 \$72.00



# B Body 62-65

## 62 Dart / Polara Exterior Gaskets

01	<b>62 Dart, Polara parking light gaskets (pair)</b>	<b>BDA6262PL01</b>	<b>\$8.00</b>
02	<b>62-65 B Body door handle gaskets</b> (set, black firm rubber handle to door gaskets including teardrop, end to door gasket)	<b>BXX6265DH01</b>	<b>\$6.00</b>
03	<b>62-66 A/B Twin post mirror gaskets (pair)</b> (63-66 A Body, 62-65 B Body)	<b>ABX6266MI02</b>	<b>\$10.00</b>
04	<b>62-65 B Body weathers-strip channel</b> (two 1/8"x3/4"x72" white rolls)	<b>BXX6265DR01</b>	<b>\$10.00</b>
05	<b>62-65 A/B lock gaskets</b> (firm black rubber lock gaskets)	<b>GEN6265LK01</b>	<b>\$2.00</b>
06	<b>62 Dart, Polara taillight gasket set</b> (wht poly foam outer, gray foam rubber inner, felt drain wicks)	<b>BDA6262TL01</b>	<b>\$28.00</b>
07	<b>62 Dart, Polara license plate light gasket</b>	<b>BDA6262LP01</b>	<b>\$3.00</b>
08	<b>62-72 lock gasket</b> (small gray plastic, 67-76 door locks, 62-72 trunk locks, 73-76 trunk lock is different / larger)	<b>GEN6272LK01</b>	<b>\$1.00</b>

**NOTE: We also have to following for your make / model;**

- A/C & Non A/C Firewall gasket sets
- A/C & Non A/C Heater box restoration gasket kits
- Firewall insulation, kickpanel insulation, shoddy pad
- Rubber splash shields sets



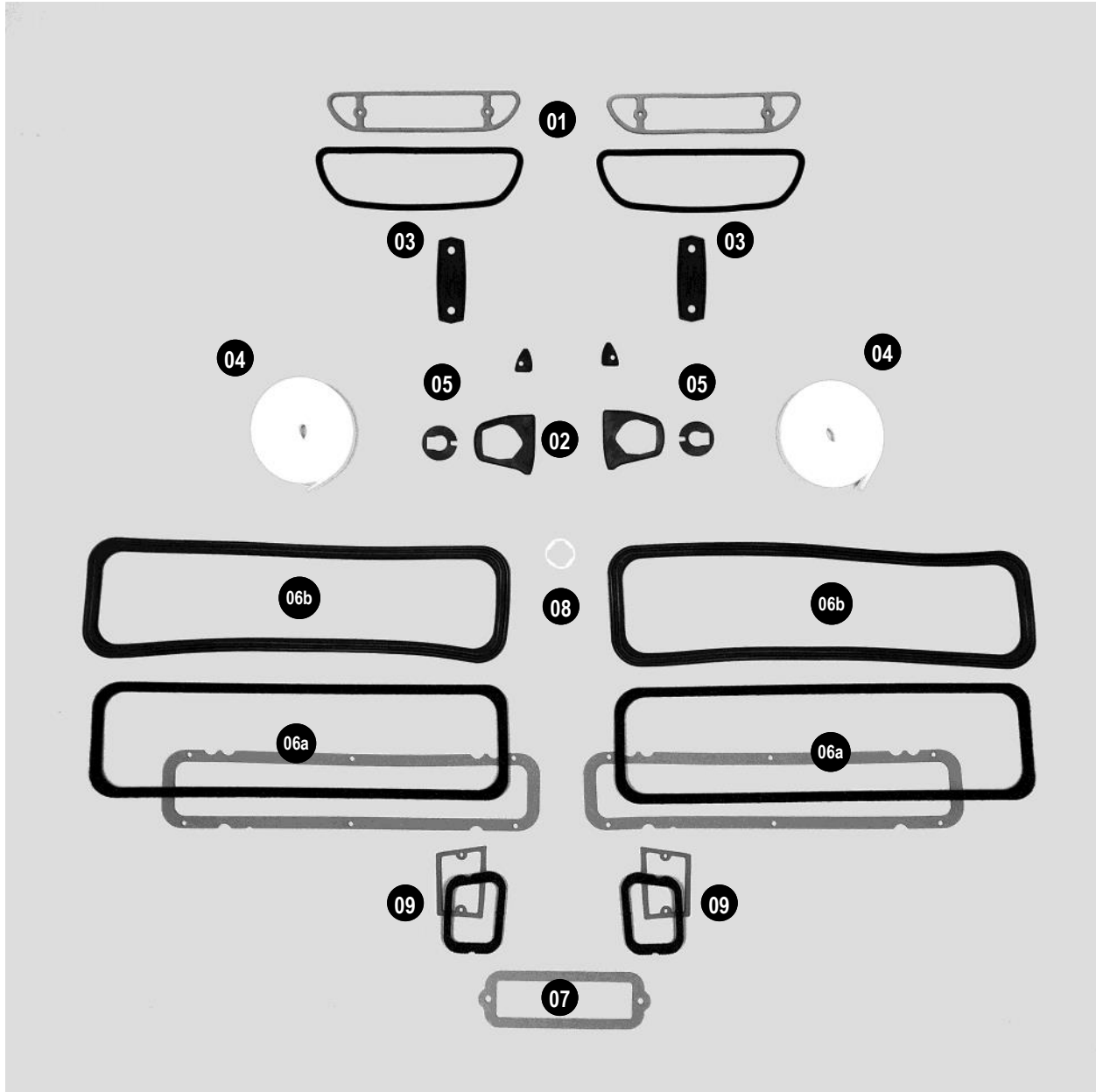
23624 Roseberry Ave Warren, MI 48089 586-777-7167 fax 586-777-7947  
[www.DetroitMuscleTechnologies.com](http://www.DetroitMuscleTechnologies.com)

# B Body 62-65

63 330 / 440 Exterior / Paint Gasket Set B336363PK01 \$59.00

63 330 / 440 Exterior / Paint Gasket Set B336363PK02 \$92.00

(includes molded rubber outer taillight gaskets)



# B Body 62-65

## 63 330 / 440 Exterior Gaskets

01	63 330, 440, Polara parking light gaskets 4pc	BPO6363PL01	\$10.00
02	62-65 B Body door handle gaskets (set, black firm rubber handle to door gaskets including teardrop end to door gasket)	BXX6265DH01	\$6.00
03	62-66 A/B Twin post mirror gaskets (pair) (63-66 A Body, 62-65 B Body)	ABX6266MI02	\$10.00
04	62-65 B Body weathers-strip channel (two 1/8"x3/4"x72" white rolls)	BXX6265DR01	\$10.00
05	62-65 A/B lock gaskets (firm black rubber lock gaskets)	GEN6265LK01	\$2.00
06a	63 330, 440 taillight gasket set (blk poly foam outer, gray foam rubber inner)	B336363TL01	\$20.00
06b	63 330, 440 MOLDED RUBBER outer taillight gaskets	B336363TL04	\$42.00
07	62-72 lock gasket (small gray plastic, 67-76 door locks, 62-72 trunk locks, 73-76 trunk lock is different / larger)	GEN6272LK01	\$1.00
08	63-65 B Body Dodge License plate light gasket	BDO6365LP01	\$3.00
09	63-64 B Body Dodge reverse light gaskets 4pc	BDO6364RL01	\$8.00

**NOTE: We also have to following for your make / model;**

- A/C & Non A/C Firewall gasket sets
- A/C & Non A/C Heater box restoration gasket kits
- Firewall insulation, kickpanel insulation, shoddy pad
- Rubber splash shields sets

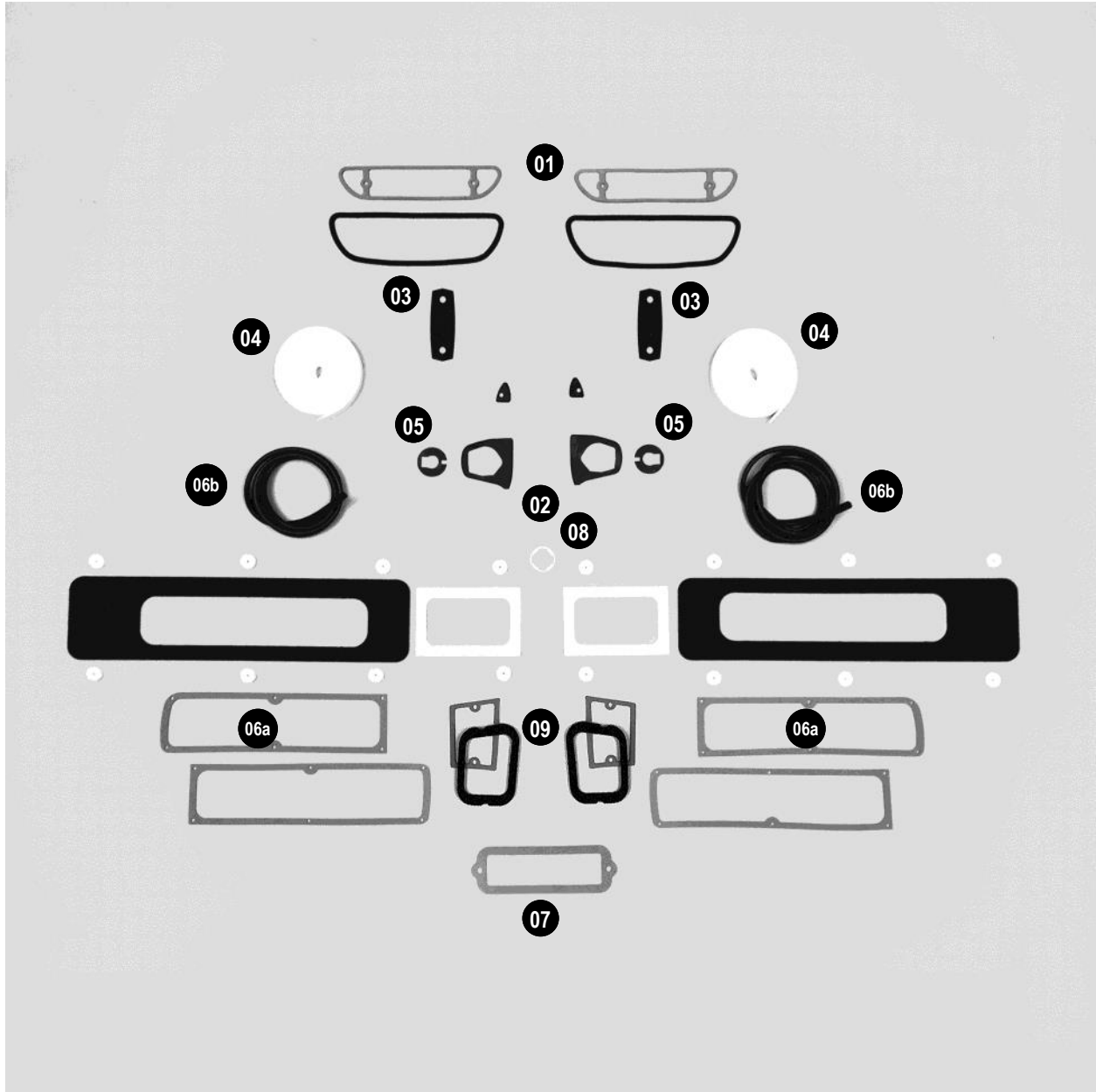


23624 Roseberry Ave Warren, MI 48089 586-777-7167 fax 586-777-7947  
[www.DetroitMuscleTechnologies.com](http://www.DetroitMuscleTechnologies.com)



# B Body 62-65

63 Polara 500 Exterior / Paint Gasket Set BPO6363PK01 \$75.00



# B Body 62-65

## 63 Polara 500 Exterior Gaskets

01	63 330, 440, Polara parking light gaskets 4pc	BPO6363PL01	\$10.00
02	62-65 B Body door handle gaskets (set, black firm rubber handle to door gaskets including teardrop end to door gasket)	BXX6265DH01	\$6.00
03	62-66 A/B Twin post mirror gaskets (pair) (63-66 A Body, 62-65 B Body)	ABX6266MI02	\$10.00
04	62-65 B Body weathers-strip channel (two 1/8"x3/4"x72" white rolls)	BXX6265DR01	\$10.00
05	62-65 A/B lock gaskets (firm black rubber lock gaskets)	GEN6265LK01	\$2.00
06a	63 Polara taillight gasket set w/trim (blk poly foam outer, gray foam rubber inner)	BPO6363TL01	\$38.00
06b	63 Polara taillight "G" shaped trim - 2pcs	BPO6363TL04	\$15.00
07	62-72 lock gasket (small gray plastic, 67-76 door locks, 62-72 trunk locks, 73-76 trunk lock is different / larger)	GEN6272LK01	\$1.00
08	63-65 B Body Dodge License plate light gasket	BDO6365LP01	\$3.00
09	63-64 B Body Dodge reverse light gaskets 4pc	BDO6364RL01	\$8.00

**NOTE: We also have to following for your make / model;**

- A/C & Non A/C Firewall gasket sets
- A/C & Non A/C Heater box restoration gasket kits
- Firewall insulation, kickpanel insulation, shoddy pad
- Rubber splash shields sets



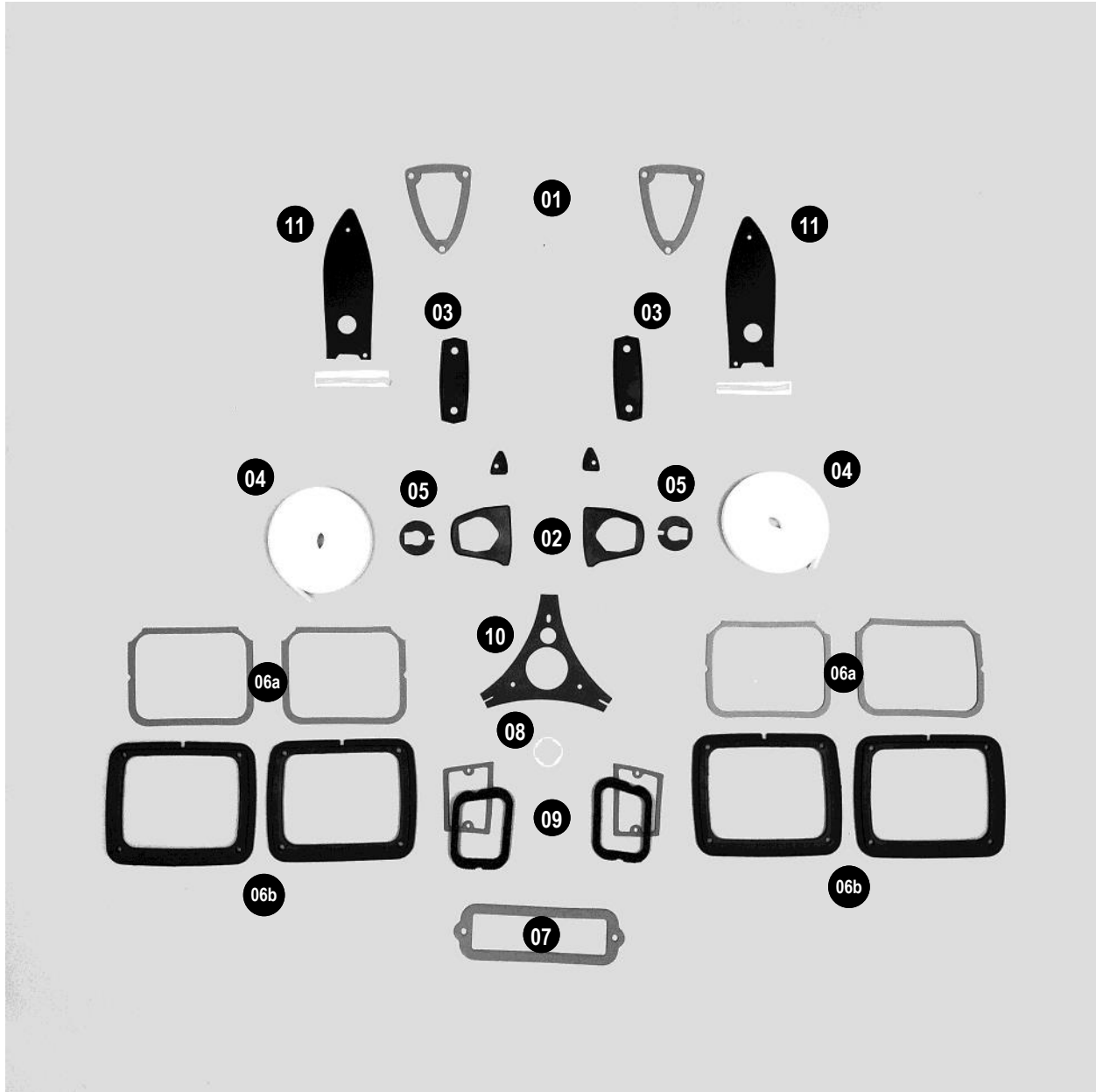
23624 Roseberry Ave Warren, MI 48089 586-777-7167 fax 586-777-7947  
[www.DetroitMuscleTechnologies.com](http://www.DetroitMuscleTechnologies.com)

## B Body 62-65

64 330, 440 Exterior / Paint Gasket Set B336464PK01 \$59.00

64 330, 440 Exterior / Paint Gasket Set B336464PK02 \$99.00

(includes molded rubber outer taillight gaskets)



# B Body 62-65

## 64 330, 440 Exterior Gaskets

01	64 330, 440, Polara parking light gaskets (pair)	BPO6464PL01	\$8.00
02	62-65 B Body door handle gaskets (set, black firm rubber handle to door gaskets including teardrop, end to door gasket)	BXX6265DH01	\$6.00
03	62-66 A/B Twin post mirror gaskets (pair) (63-66 A Body, 62-65 B Body)	ABX6266MI02	\$10.00
04	62-65 B Body weathers-strip channel (two 1/8"x3/4"x72" white rolls)	BXX6265DR01	\$10.00
05	62-65 A/B lock gaskets (firm black rubber lock gaskets)	GEN6265LK01	\$2.00
06a	64 330, 440 taillight gasket set	B336464TL01	\$16.00
06b	64 330, 440 MOLDED RUBBER taillight gaskets - 4pcs	B336464TL04	\$45.00
07	63-65 B Body Dodge license plate light gasket	BDO6365LP01	\$3.00
08	62-72 lock gasket (small gray plastic, 67-76 door locks, 62-72 trunk locks, 73-76 trunk lock is different / larger)	GEN6272LK01	\$1.00
09	63-64 B Body Dodge reverse light gaskets 4pc	BDO6364RL01	\$8.00
10	64 330, 440, Polara trunk medallion gasket	BPO6464TM01	\$3.00

**NOTE: We also have to following for your make / model;**

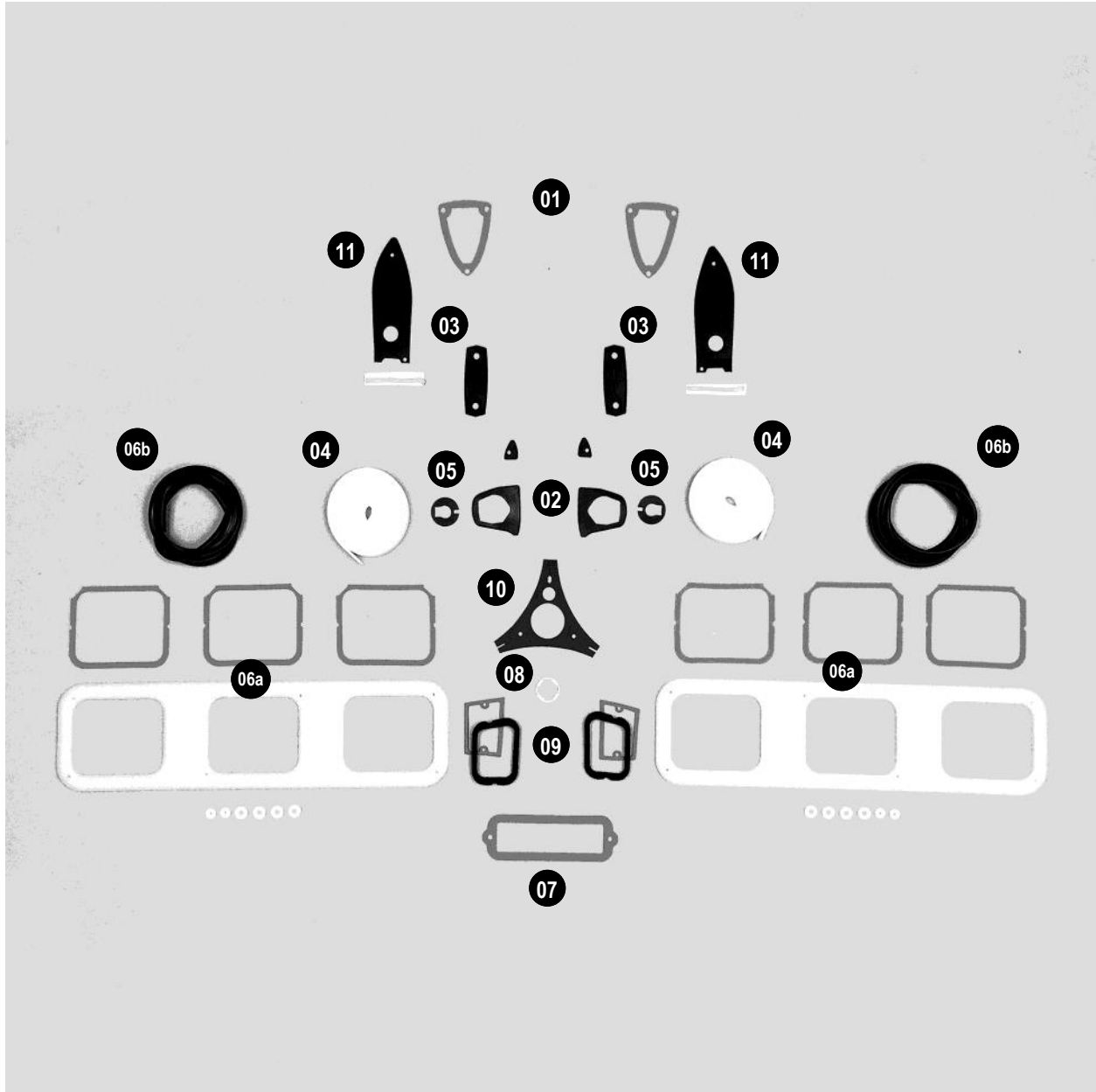
- A/C & Non A/C Firewall gasket sets
- A/C & Non A/C Heater box restoration gasket kits
- Firewall insulation, kickpanel insulation, shoddy pad
- Rubber splash shields sets



23624 Roseberry Ave Warren, MI 48089 586-777-7167 fax 586-777-7947  
[www.DetroitMuscleTechnologies.com](http://www.DetroitMuscleTechnologies.com)

# B Body 62-65

64 Polara 500 Exterior / Paint Gasket Set BPO6464PK01 \$75.00



23624 Roseberry Ave Warren, MI 48089 586-777-7167 fax 586-777-7947  
[www.DetroitMuscleTechnologies.com](http://www.DetroitMuscleTechnologies.com)

# B Body 62-65

## 64 Polara 500 Exterior Gaskets

01	64 330, 440, Polara parking light gaskets (pair)	BPO6464PL01	\$8.00
02	62-65 B Body door handle gaskets (set, black firm rubber handle to door gaskets including teardrop, end to door gasket)	BXX6265DH01	\$6.00
03	62-66 A/B Twin post mirror gaskets (pair) (63-66 A Body, 62-65 B Body)	ABX6266MI02	\$10.00
04	62-65 B Body weathers-strip channel (two 1/8"x3/4"x72" white rolls)	BXX6265DR01	\$10.00
05	62-65 A/B lock gaskets (firm black rubber lock gaskets)	GEN6265LK01	\$2.00
06a	64 Polara taillight gasket set	BPO6464TL01	\$25.00
06b	64 Polara taillight (2) 68" "J" shaped trim	B336464TL04	\$15.00
07	B 63-65 Dodge license plate light gasket	BDO6365LP01	\$3.00
08	62-72 lock gasket (small gray plastic, 67-76 door locks, 62-72 trunk locks, 73-76 trunk lock is different / larger)	GEN6272LK01	\$1.00
09	63-64 B Body Dodge reverse light gaskets 4pc	BDO6364RL01	\$8.00
10	64 330, 440, Polara trunk medallion gasket	BPO6464TM01	\$3.00

**NOTE: We also have to following for your make / model;**

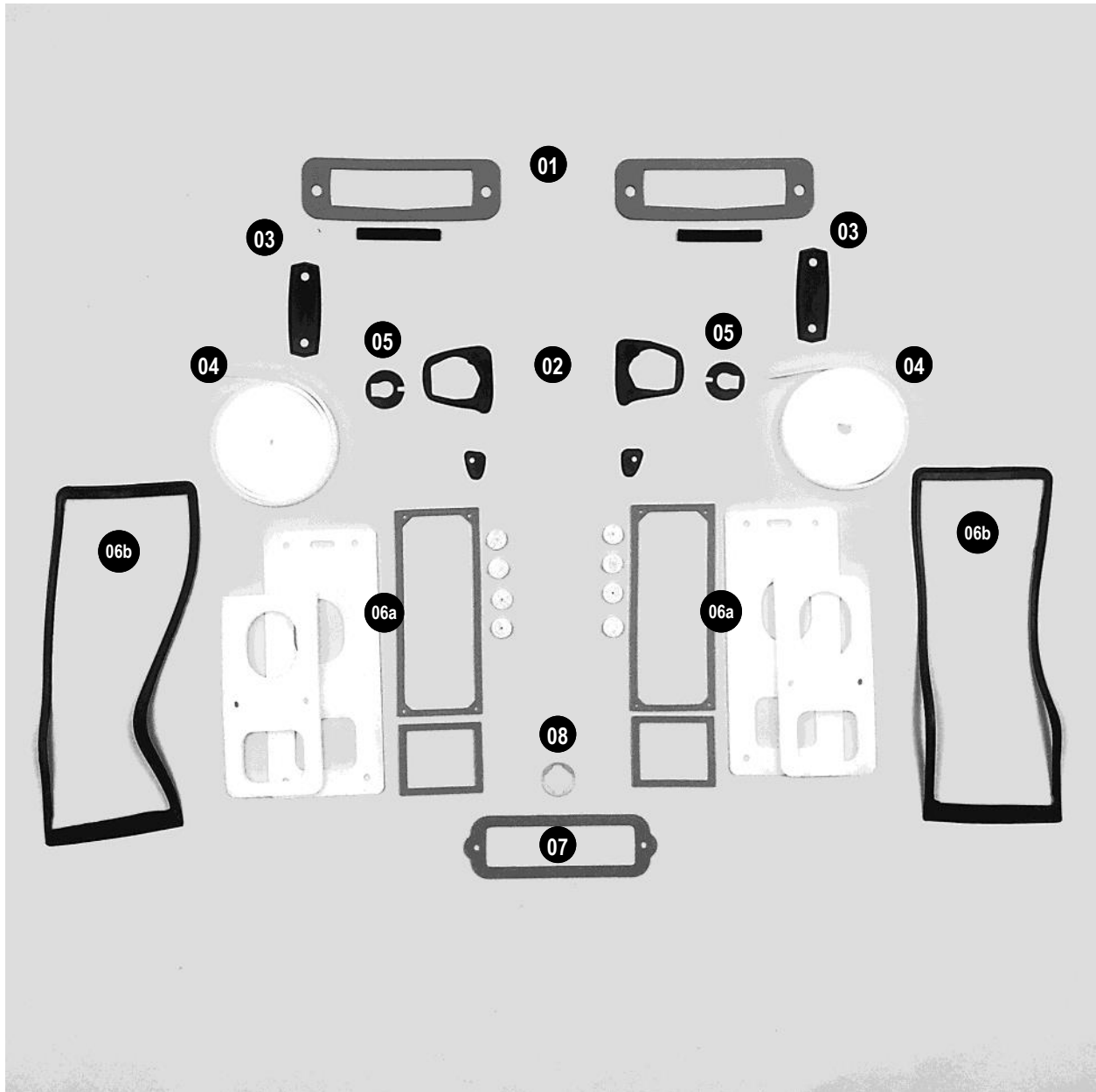
- A/C & Non A/C Firewall gasket sets
- A/C & Non A/C Heater box restoration gasket kits
- Firewall insulation, kickpanel insulation, shoddy pad
- Rubber splash shields sets



23624 Roseberry Ave Warren, MI 48089 586-777-7167 fax 586-777-7947  
[www.DetroitMuscleTechnologies.com](http://www.DetroitMuscleTechnologies.com)

# B Body 62-65

65 Coronet Exterior / Paint Gasket Set BCO6565PK01 \$58.00  
65 Coronet Exterior / Paint Gasket Set BCO6565PK02 \$99.00



23624 Roseberry Ave Warren, MI 48089 586-777-7167 fax 586-777-7947  
[www.DetroitMuscleTechnologies.com](http://www.DetroitMuscleTechnologies.com)

# B Body 62-65

## 65 Coronet Exterior Gaskets

<b>01</b>	<b>65 Coronet parking light gaskets (pair)</b>	<b>BCO6565PL01</b>	<b>\$8.00</b>
<b>02</b>	<b>62-65 B Body door handle gaskets</b> (set, black firm rubber handle to door gaskets including teardrop, end to door gasket)	<b>BXX6265DH01</b>	<b>\$6.00</b>
<b>03</b>	<b>62-66 A/B Twin post mirror gaskets (pair)</b> (63-66 A Body, 62-65 B Body)	<b>ABX6266MI02</b>	<b>\$10.00</b>
<b>04</b>	<b>62-65 B Body weathers-strip channel</b> (two 1/8"x3/4"x72" white rolls)	<b>BXX6265DR01</b>	<b>\$10.00</b>
<b>05</b>	<b>62-65 A/B lock gaskets</b> (firm black rubber lock gaskets)	<b>GEN6265LK01</b>	<b>\$2.00</b>
<b>06a</b>	<b>65 Coronet BASE taillight gasket set</b>	<b>BCO6565TL01</b>	<b>\$25.00</b>
<b>06b</b>	<b>65 Coronet BASE MOLDED RUBBER outer taillight gaskets</b>	<b>BCO6565TL04</b>	<b>\$42.00</b>
<b>07</b>	<b>B 63-65 Dodge license plate light gasket</b>	<b>BDO6365LP01</b>	<b>\$3.00</b>
<b>08</b>	<b>62-72 lock gasket</b> (small gray plastic, 67-76 door locks, 62-72 trunk locks, 73-76 trunk lock is different / larger)	<b>GEN6272LK01</b>	<b>\$1.00</b>

**NOTE: We also have to following for your make / model;**

- **A/C & Non A/C Firewall gasket sets**
- **A/C & Non A/C Heater box restoration gasket kits**
- **Firewall insulation, kickpanel insulation, shoddy pad**
- **Rubber splash shields sets**

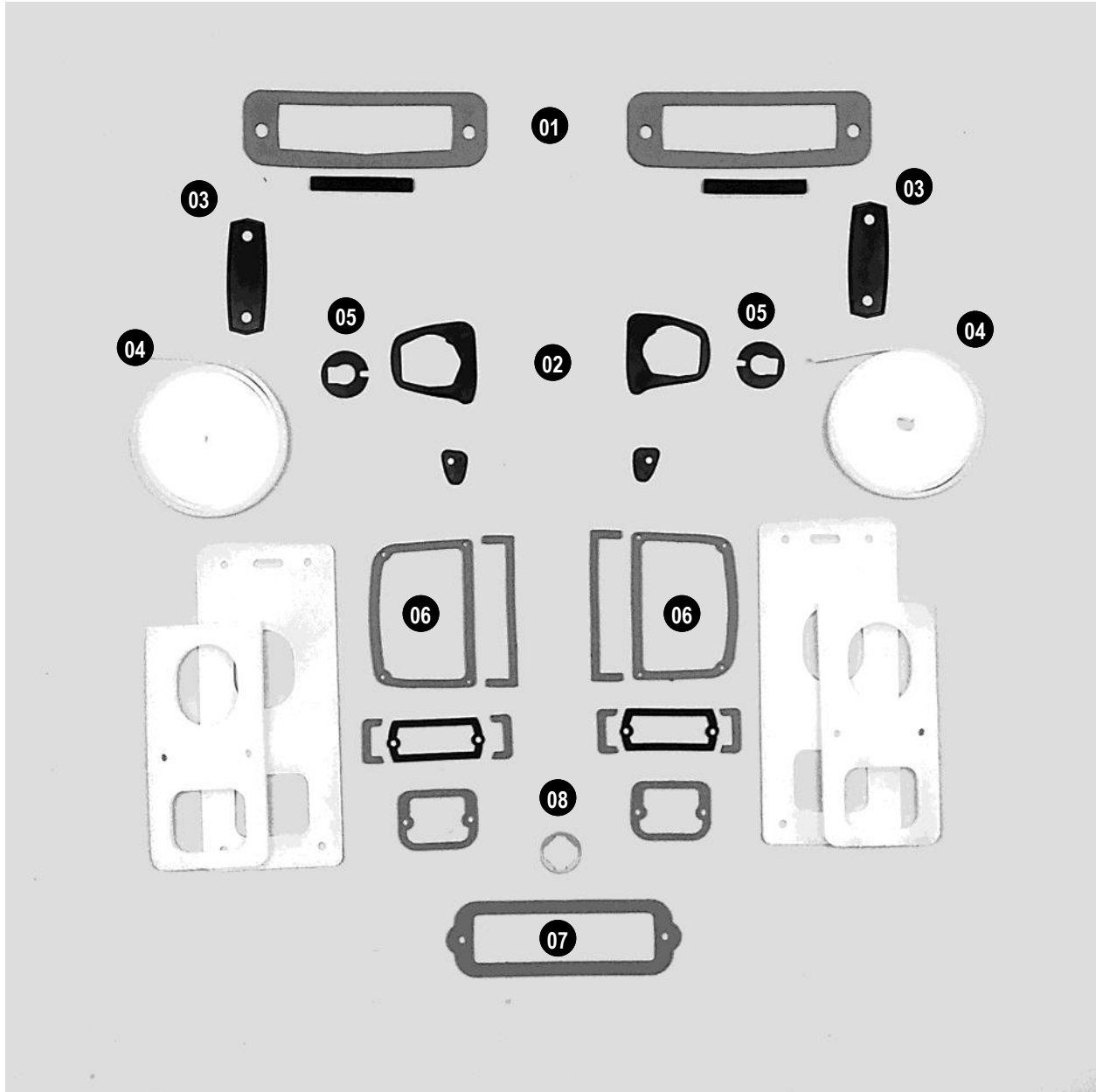


23624 Roseberry Ave Warren, MI 48089 586-777-7167 fax 586-777-7947  
[www.DetroitMuscleTechnologies.com](http://www.DetroitMuscleTechnologies.com)



# B Body 62-65

65 Coronet 500 Exterior / Paint Gasket Set BCO6565PK03 \$62.00



# B Body 62-65

## 65 Coronet 500 Exterior Gaskets

01	65 Coronet parking light gaskets (pair)	BCO6565PL01	\$8.00
02	62-65 B Body door handle gaskets (set, black firm rubber handle to door gaskets including teardrop, end to door gasket)	BXX6265DH01	\$6.00
03	62-66 A/B Twin post mirror gaskets (pair) (63-66 A Body, 62-65 B Body)	ABX6266MI02	\$10.00
04	62-65 B Body weathers-strip channel (two 1/8"x3/4"x72" white rolls)	BXX6265DR01	\$10.00
05	62-65 A/B lock gaskets (firm black rubber lock gaskets)	GEN6265LK01	\$2.00
06	65 Coronet 500 taillight gasket set	BCO6565TL03	\$25.00
07	64 Polara license plate light gasket	BDA6262LP01	\$3.00
08	62-72 lock gasket (small gray plastic, 67-76 door locks, 62-72 trunk locks, 73-76 trunk lock is different / larger)	GEN6272LK01	\$1.00

**NOTE: We also have to following for your make / model;**

- A/C & Non A/C Firewall gasket sets
- A/C & Non A/C Heater box restoration gasket kits
- Firewall insulation, kickpanel insulation, shoddy pad
- Rubber splash shields sets



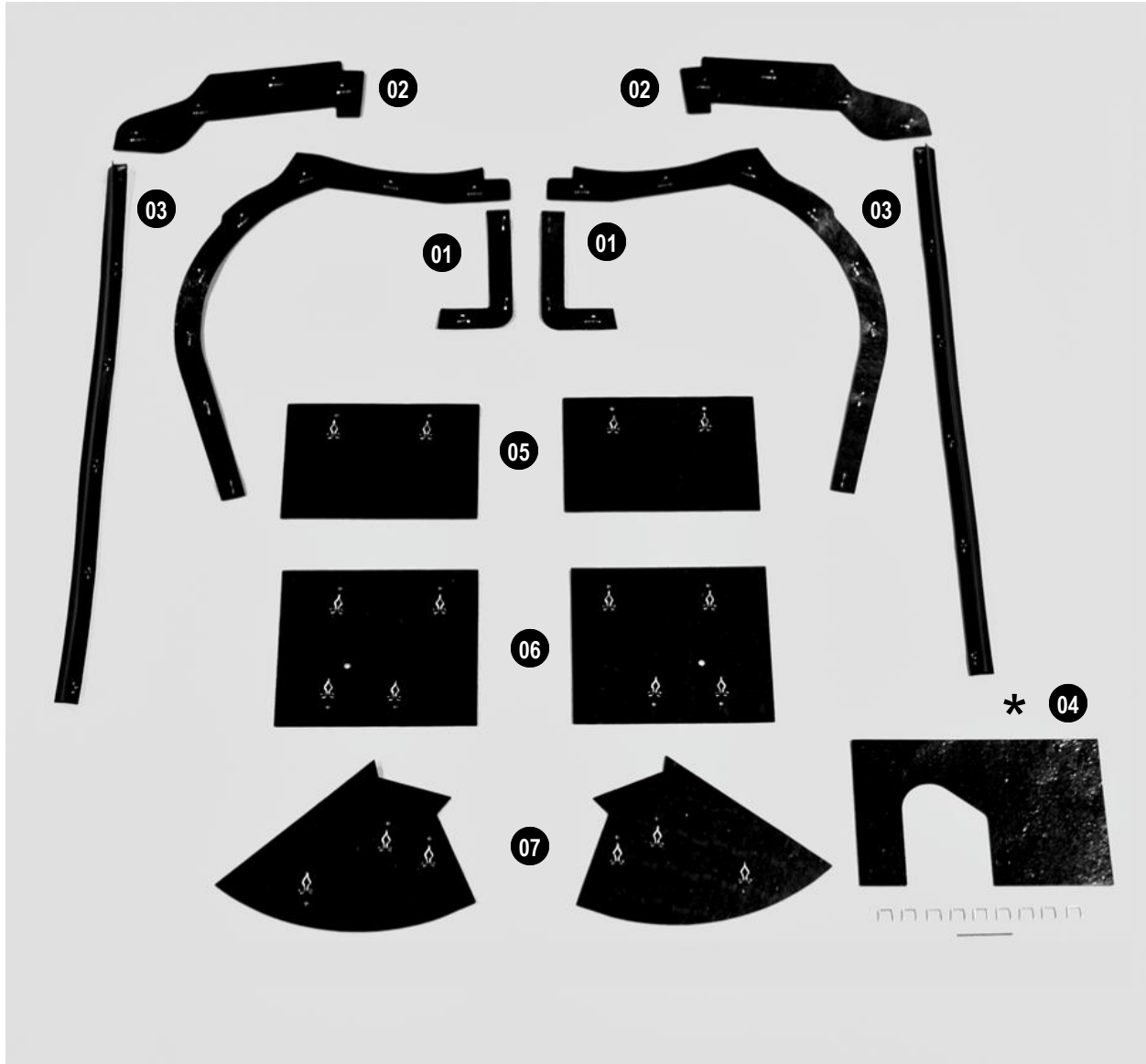
23624 Roseberry Ave Warren, MI 48089 586-777-7167 fax 586-777-7947  
[www.DetroitMuscleTechnologies.com](http://www.DetroitMuscleTechnologies.com)

# B Body 62-65

63 330, 440, Polara MEGA Splash Shield Set

BPO6363SS90 \$84.00 (auto trans)

BPO6363SS91 \$73.00 (manual trans)



\* AUTO trans cars have this starter / auto trans linkage splash shield

# B Body 62-65

## 63 330, 440, Polara Splash Shields

<b>01</b>	<b>63 Polara headlight splash shields</b> (with OEM style stainless steel staples/clips installed, pair)	<b>BPO6363SS10</b>	<b>\$24.00</b>
<b>02</b>	<b>62-63 B Body rear splash plate top splash shields</b> (with OEM style stainless steel staples/clips installed, pair)	<b>BXX6263SS81</b>	<b>\$12.00</b>
<b>03</b>	<b>63 Polara rear splash shield side strips</b> (with OEM style stainless steel staples/clips installed, pair)	<b>BPO6363SS82</b>	<b>\$21.00</b>
<b>04</b>	<b>63-66 A Body, 62-65 B Body starter / auto linkage splash shield</b> <b>FOR AUTO TRANS CARS ONLY</b> (with 9 OEM style stainless steel staples and drill)	<b>ABX6266SS70</b>	<b>\$12.00</b>
<b>05</b>	<b>62-65 B Body front frame rail splash shields</b> (with 8 OEM style stainless steel clips)	<b>BXX6265SS50</b>	<b>\$8.00</b>
<b>06</b>	<b>62-65 B Body rear frame rail splash shields</b> (with 4 OEM style stainless steel clips)	<b>BXX6265SS51</b>	<b>\$8.00</b>
<b>07</b>	<b>62-65 B Body rear frame rail to firewall splash shields</b> (with 6 OEM style stainless steel clips)	<b>BXX6265SS60</b>	<b>\$8.00</b>



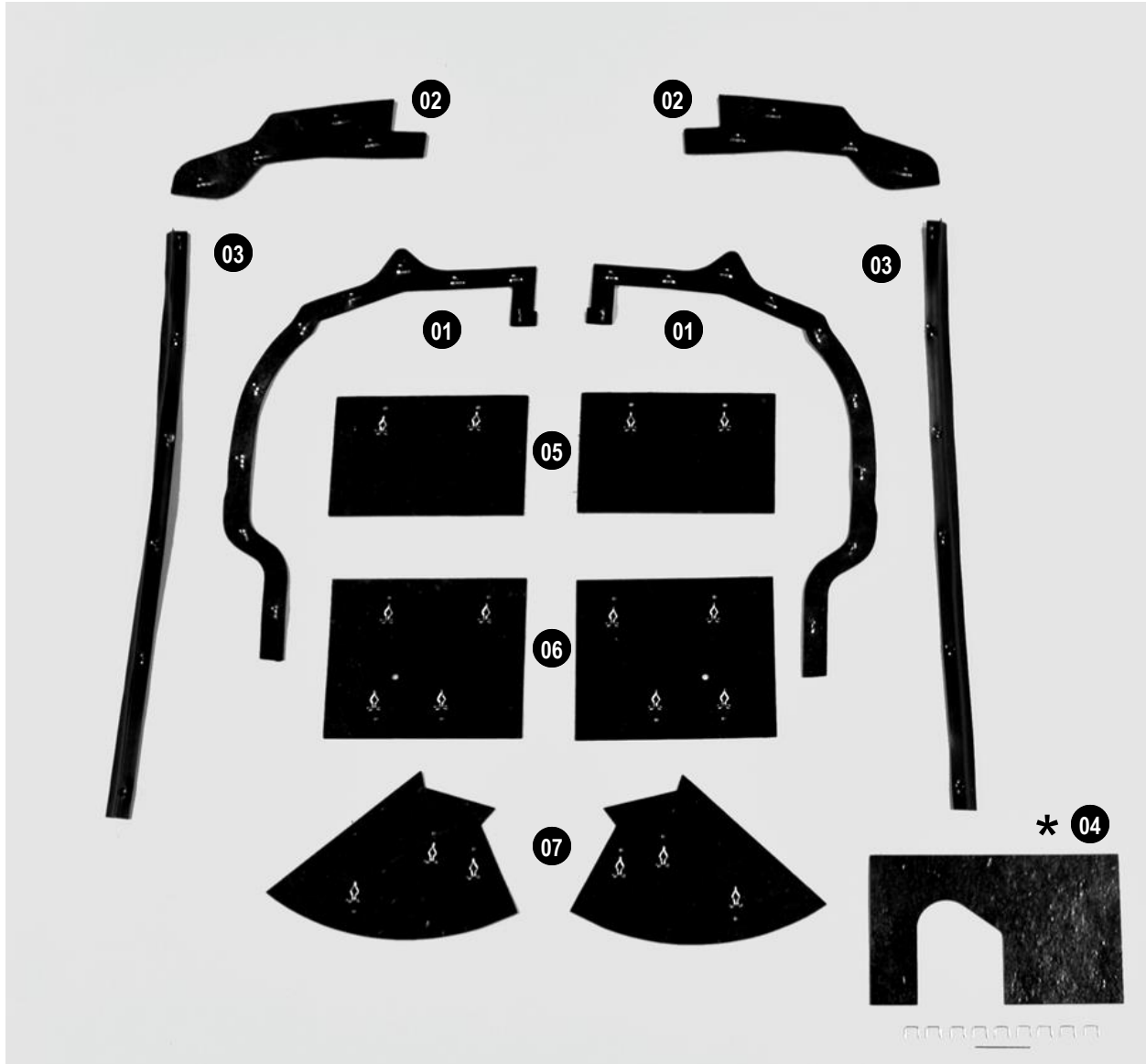
23624 Roseberry Ave Warren, MI 48089 586-777-7167 fax 586-777-7947  
[www.DetroitMuscleTechnologies.com](http://www.DetroitMuscleTechnologies.com)

# B Body 62-65

64 330 / 440 / Polara MEGA Splash Shield Set

BCO6464SS90 \$84.00 (auto trans)

BCO6464SS91 \$73.00 (manual trans)



\* AUTO trans cars have this starter / auto trans linkage splash shield

# B Body 62-65

## 64 330 / 440 / Polara Splash Shields

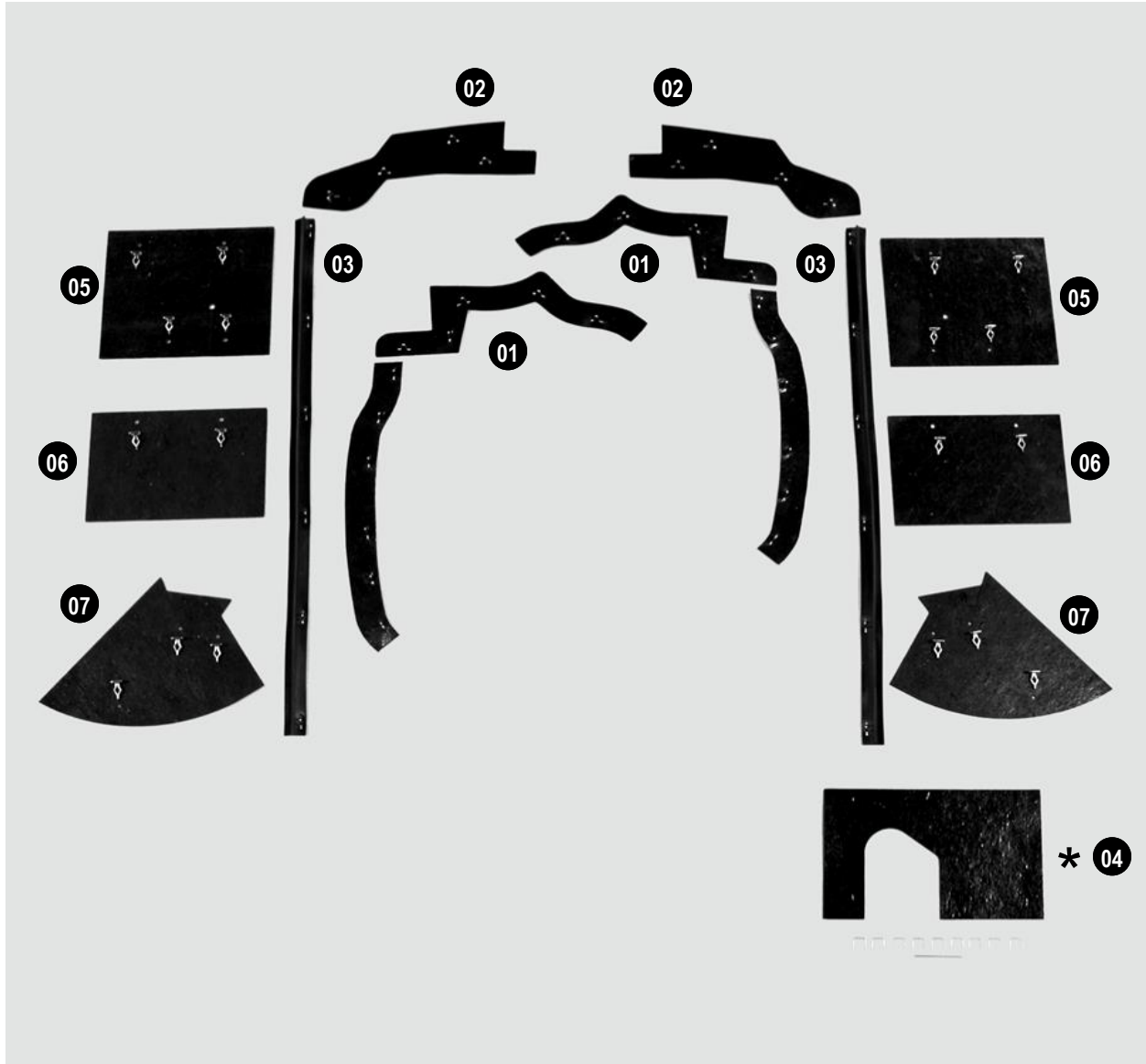
<b>01</b>	<b>64 Coronet headlight splash shields</b> (with OEM style stainless steel staples installed, pair)	<b>BCO6464SS10</b>	<b>\$24.00</b>
<b>02</b>	<b>64-65 B Body rear splash plate top splash shields</b> (with OEM style stainless steel staples installed, pair)	<b>BXX6465SS81</b>	<b>\$12.00</b>
<b>03</b>	<b>64 Coronet rear splash shield side strips</b> (with OEM style stainless steel staples installed, pair)	<b>BCO6464SS82</b>	<b>\$21.00</b>
<b>04</b>	<b>63-66 A Body, 62-65 B Body starter / auto linkage splash shield</b> <b>FOR AUTO TRANS CARS ONLY</b> (with 9 OEM style stainless steel staples and drill)	<b>ABX6266SS70</b>	<b>\$12.00</b>
<b>05</b>	<b>62-65 B Body front frame rail splash shields</b> (with 8 OEM style stainless steel clips)	<b>BXX6265SS50</b>	<b>\$8.00</b>
<b>06</b>	<b>62-65 B Body rear frame rail splash shields</b> (with 4 OEM style stainless steel clips)	<b>BXX6265SS51</b>	<b>\$8.00</b>
<b>07</b>	<b>62-65 B Body rear frame rail to firewall splash shields</b> (with 6 OEM style stainless steel clips)	<b>BXX6265SS60</b>	<b>\$8.00</b>



23624 Roseberry Ave Warren, MI 48089 586-777-7167 fax 586-777-7947  
[www.DetroitMuscleTechnologies.com](http://www.DetroitMuscleTechnologies.com)

## B Body 62-65

65 Coronet MEGA Splash Shield Set  
BCO6565SS90 \$82.00 (auto trans)  
BCO6565SS91 \$71.00 (manual trans)



\* AUTO trans cars have this starter / auto trans linkage splash shield

# B Body 62-65

## 65 Coronet Splash Shields

<b>01</b>	<b>64 Coronet headlight splash shields</b> (with OEM style stainless steel staples installed, pair)	<b>BCO6464SS10</b>	<b>\$22.00</b>
<b>02</b>	<b>64-65 B Body rear splash plate top splash shields</b> (with OEM style stainless steel staples installed, pair)	<b>BXX6465SS81</b>	<b>\$12.00</b>
<b>03</b>	<b>64 Belv, 65 Belv &amp; Coronet rear splash shield side strips</b> (with OEM style stainless steel staples installed, pair)	<b>BBE6465SS82</b>	<b>\$21.00</b>
<b>04</b>	<b>63-66 A Body, 62-65 B Body starter / auto linkage splash shield</b> <b>FOR AUTO TRANS CARS ONLY</b> (with 9 OEM style stainless steel staples and drill)	<b>ABX6266SS70</b>	<b>\$12.00</b>
<b>05</b>	<b>62-65 B Body front frame rail splash shields</b> (with 8 OEM style stainless steel clips)	<b>BXX6265SS50</b>	<b>\$8.00</b>
<b>06</b>	<b>62-65 B Body rear frame rail splash shields</b> (with 4 OEM style stainless steel clips)	<b>BXX6265SS51</b>	<b>\$8.00</b>
<b>07</b>	<b>62-65 B Body rear frame rail to firewall splash shields</b> (with 6 OEM style stainless steel clips)	<b>BXX6265SS60</b>	<b>\$8.00</b>

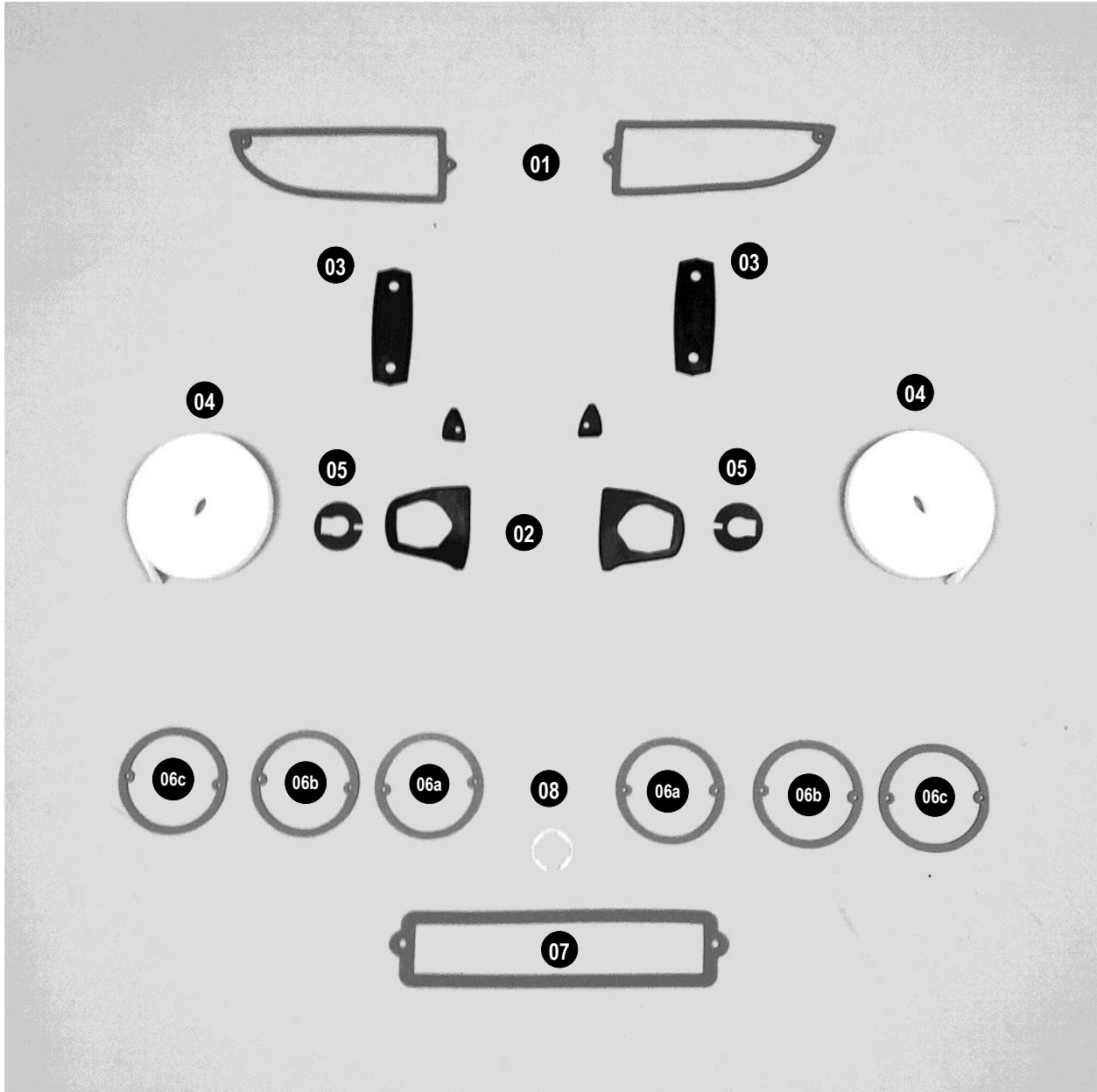


23624 Roseberry Ave Warren, MI 48089 586-777-7167 fax 586-777-7947  
[www.DetroitMuscleTechnologies.com](http://www.DetroitMuscleTechnologies.com)



## B Body 62-65

62 Savoy Exterior / Paint Gasket Set	BSA6262PK01	\$39.00
62 Belvedere Exterior / Paint Gasket Set	BBE6262PK01	\$44.00
62 Fury Exterior / Paint Gasket Set	BFU6262PK01	\$59.00



**Note: 1962 Savoy had 2 taillights, Belvedere had 4 taillights and Fury had 6 taillights. The number of taillight gaskets is the only different in the kits**

# B Body 62-65

## 62 Savoy / Belvedere / Fury Exterior / Paint Set Gaskets

01	62 Belvedere parking light gaskets (pair)	BBE6262PL01	\$8.00
02	62-65 B Body door handle gaskets (set, black firm rubber handle to door gaskets including teardrop end to door gasket)	BXX6265DH01	\$6.00
03	62-66 A/B Twin post mirror gaskets (pair) (63-66 A Body, 62-65 B Body)	ABX6266MI02	\$10.00
04	66-70 B Body weathers-strip channel (two 1/8"x3/4"x72" white rolls)	BXX6265DR01	\$10.00
05	62-65 A/B lock gaskets (firm black rubber lock gaskets)	GEN6265LK01	\$2.00
	62 Savoy taillight gasket set—2pcs	BSA6262TL01	\$6.00
06a	62 Belvedere taillight gasket set—4pcs	BBE6262TL01	\$12.00
06b	62 Fury taillight gasket set—6pcs	BFU6262TL01	\$18.00
06c	62 Belvedere license plate light gasket	BBE6262LP01	\$3.00
07	62-72 lock gasket	GEN6272LK01	\$1.00
08	(small gray plastic, 67-76 door locks, 62-72 trunk locks, 73-76 trunk lock is different / larger)		

**NOTE: We also have to following for your make / model;**

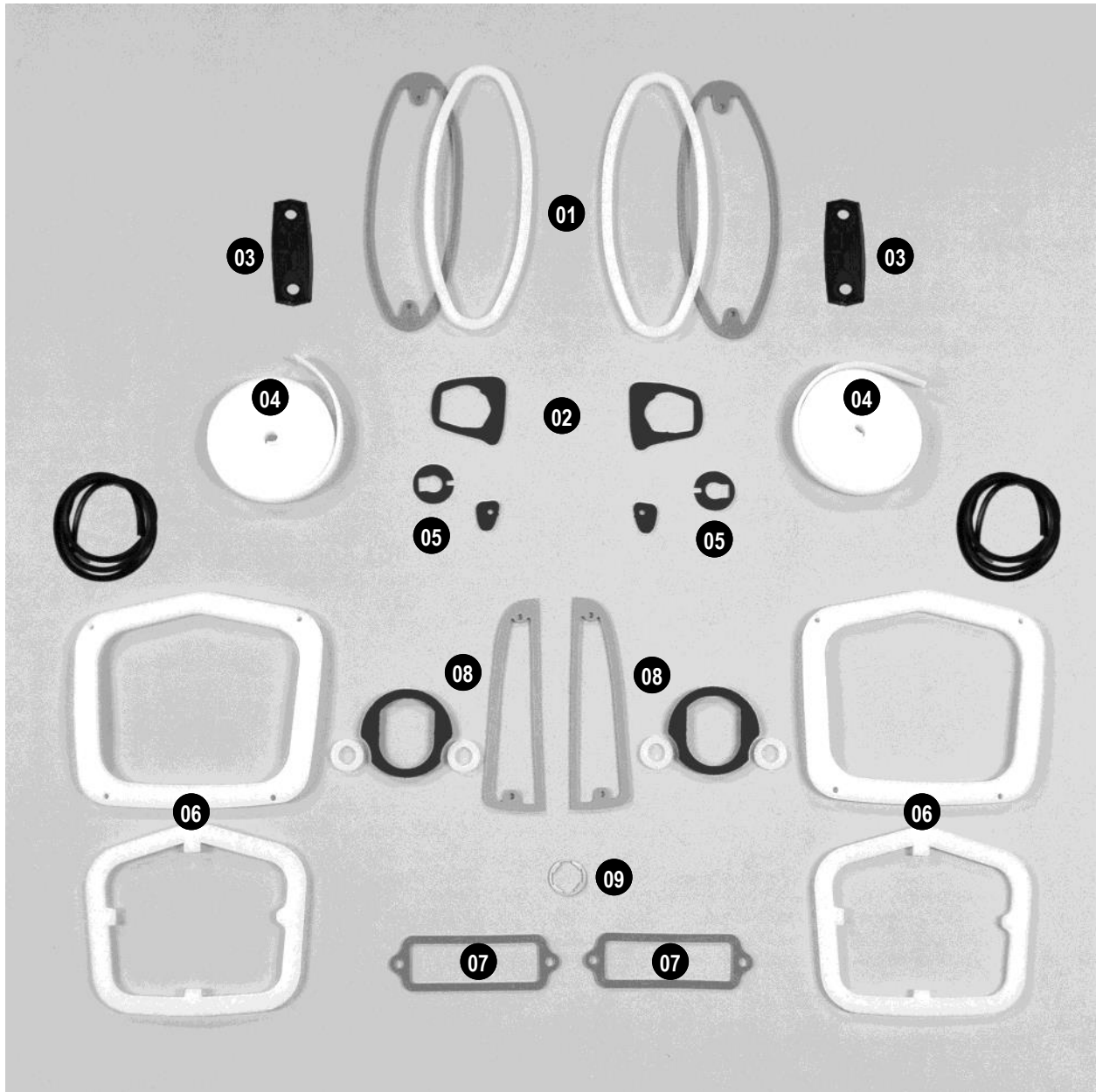
- A/C & Non A/C Firewall gasket sets
- A/C & Non A/C Heater box restoration gasket kits
- Firewall insulation, kickpanel insulation, shoddy pad
- Rubber splash shields sets



23624 Roseberry Ave Warren, MI 48089 586-777-7167 fax 586-777-7947  
[www.DetroitMuscleTechnologies.com](http://www.DetroitMuscleTechnologies.com)

# B Body 62-65

63 Savoy / Belvedere / Fury Exterior Paint Gasket Set BBE6363PK01 \$70.00



# B Body 62-65

## 63 Savoy / Belvedere / Fury Exterior Gaskets

01	63 Belvedere parking light gaskets (pair)	BBE6363PL01	\$8.00
02	62-65 B Body door handle gaskets (set, black firm rubber handle to door gaskets including teardrop end to door gasket)	BXX6265DH01	\$6.00
03	62-66 A/B Twin post mirror gaskets (pair) (63-66 A Body, 62-65 B Body)	ABX6266MI02	\$10.00
04	66-70 B Body weathers-strip channel (two 1/8"x3/4"x72" white rolls)	BXX6265DR01	\$10.00
05	62-65 A/B lock gaskets (firm black rubber lock gaskets)	GEN6265LK01	\$2.00
06	63 Belvedere taillight gasket set (with two 29" pieces of "J" shaped trim for housing edges)	BBE6363TL01	\$25.00
07	63-65 Belvedere license plate light gaskets (pair)	BBE6365LP01	\$6.00
08	63-65 Belvedere reverse light gasket set	BBE6365RL01	\$10.00
09	62-72 lock gasket (trunk) (small gray plastic, 67-76 door locks, 62-72 trunk locks, 73-76 trunk lock is different / larger)	GEN6272LK01	\$1.00

**NOTE: We also have to following for your make / model;**

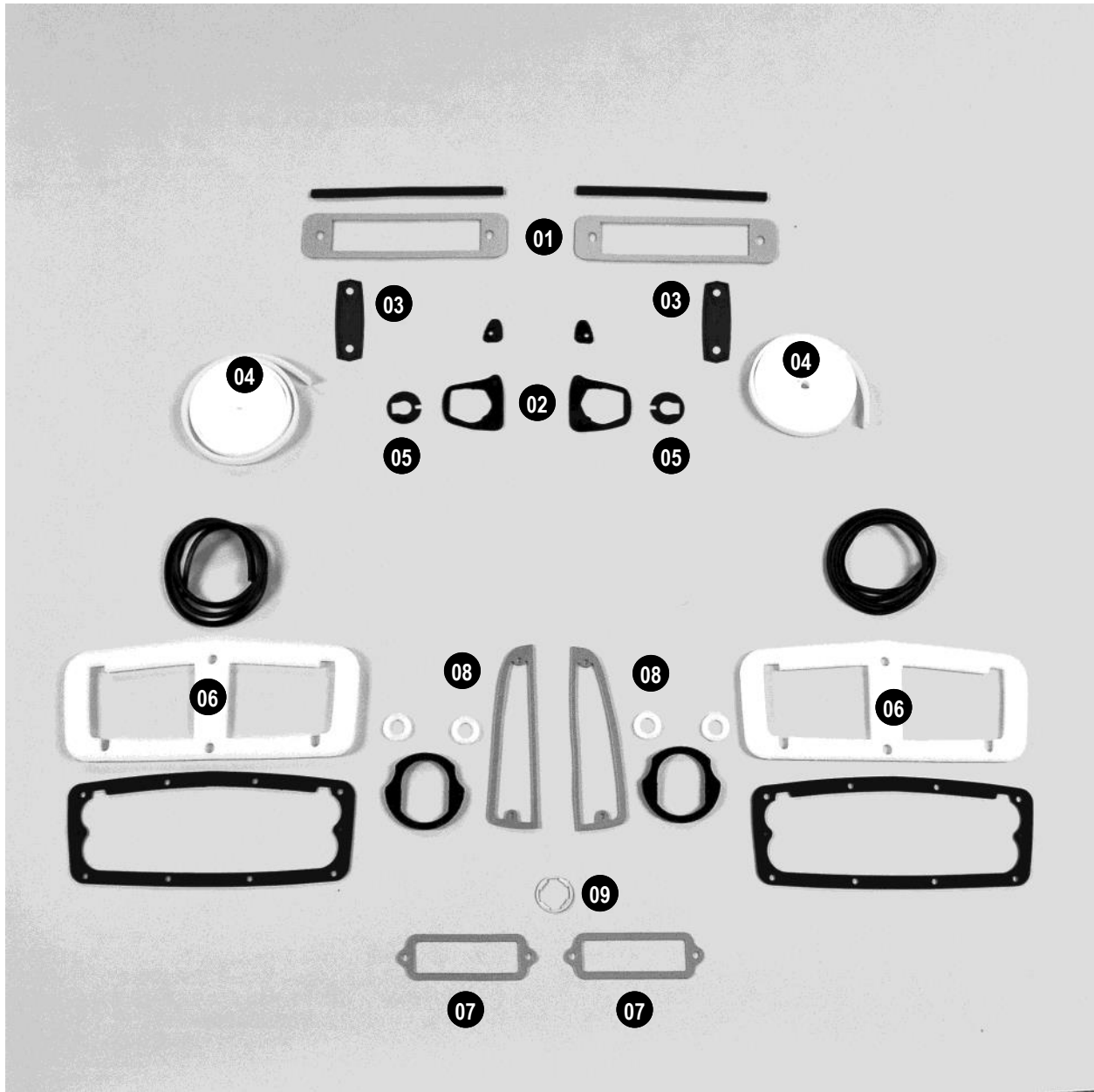
- A/C & Non A/C Firewall gasket sets
- A/C & Non A/C Heater box restoration gasket kits
- Firewall insulation, kickpanel insulation, shoddy pad
- Rubber splash shields sets



23624 Roseberry Ave Warren, MI 48089 586-777-7167 fax 586-777-7947  
[www.DetroitMuscleTechnologies.com](http://www.DetroitMuscleTechnologies.com)

# B Body 62-65

64 Savoy / Belvedere / Fury Exterior Paint Gasket Set BBE6464PK01 \$72.00



# B Body 62-65

## 64 Savoy / Belvedere / Fury Exterior Gaskets

01	<b>64 Belvedere parking light gaskets (pair)</b>	<b>BBE6464PL01</b>	<b>\$8.00</b>
02	<b>B Body 62-65 door handle gaskets</b> (set, black firm rubber handle to door gaskets including teardrop end to door gasket)	<b>BXX6265DH01</b>	<b>\$6.00</b>
03	<b>62-66 A/B Twin post mirror gaskets (pair)</b> (63-66 A Body, 62-65 B Body)	<b>ABX6266MI02</b>	<b>\$10.00</b>
04	<b>B Body 62-65 weatherstrip channel</b> (two 1/8"x3/4"x72" white rolls)	<b>BXX6265DR01</b>	<b>\$10.00</b>
05	<b>62-65 A/B lock gaskets</b> (firm black rubber lock gaskets)	<b>GEN6265LK01</b>	<b>\$2.00</b>
06	<b>64 Belvedere taillight gasket set</b> (with two 38" pieces of "G" shaped trim for housing edges)	<b>BBE6464TL01</b>	<b>\$30.00</b>
07	<b>63-65 Belvedere license plate light gaskets (pair)</b>	<b>BBE6365LP01</b>	<b>\$6.00</b>
08	<b>63-65 Belvedere reverse light gasket set</b>	<b>BBE6365RL01</b>	<b>\$10.00</b>
09	<b>GENERIC 62-72 lock gasket (trunk)</b> (small gray plastic, 67-76 door locks, 62-72 trunk locks, 73-76 trunk lock is different / larger)	<b>GEN6272LK01</b>	<b>\$1.00</b>

**NOTE: We also have to following for your make / model;**

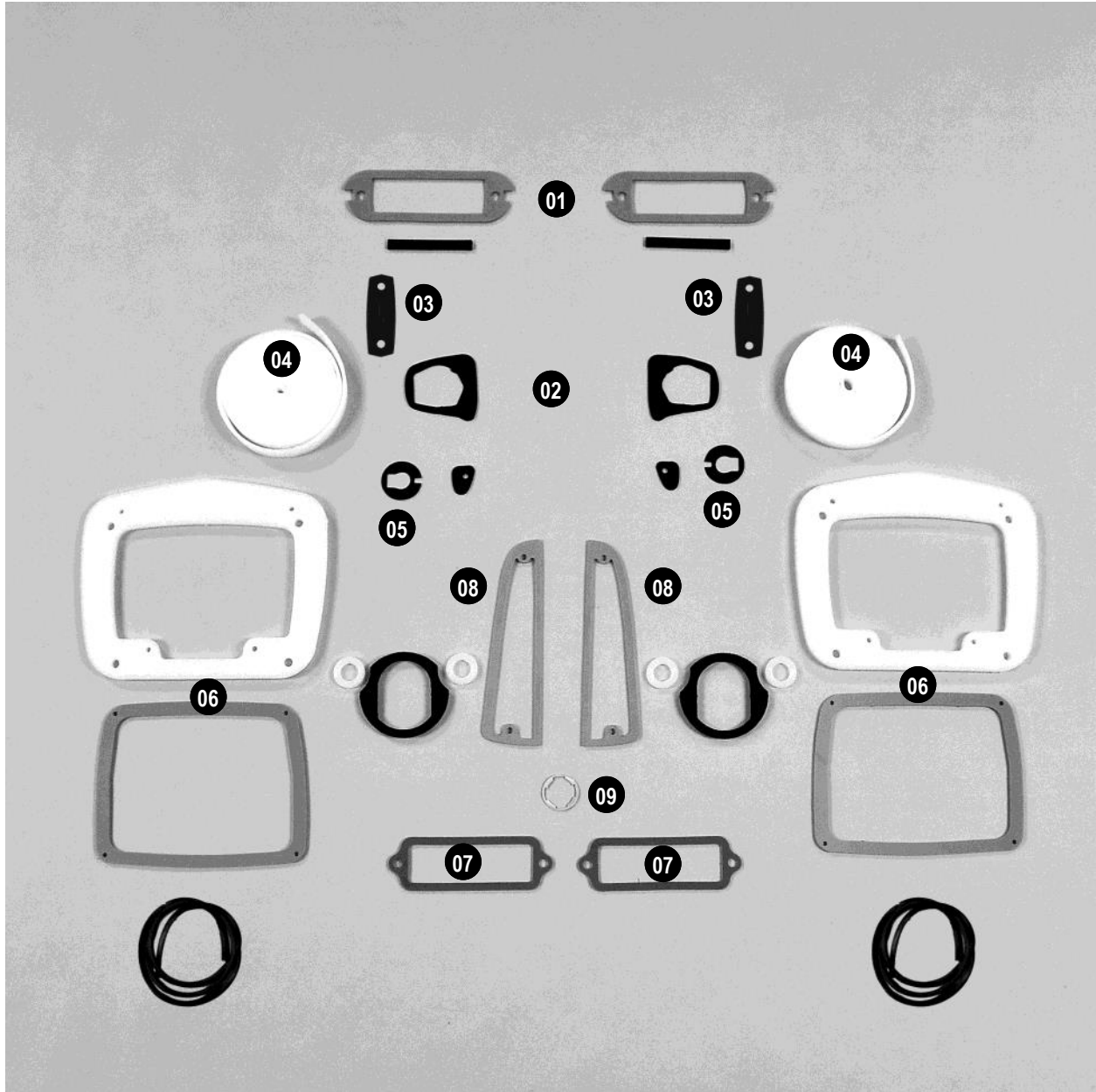
- **A/C & Non A/C Firewall gasket sets**
- **A/C & Non A/C Heater box restoration gasket kits**
- **Firewall insulation, kickpanel insulation, shoddy pad**
- **Rubber splash shields sets**



23624 Roseberry Ave Warren, MI 48089 586-777-7167 fax 586-777-7947  
[www.DetroitMuscleTechnologies.com](http://www.DetroitMuscleTechnologies.com)

# B Body 62-65

65 Belvedere / Satellite Exterior Paint Gasket Set BBE6565PK01 \$72.00



23624 Roseberry Ave Warren, MI 48089 586-777-7167 fax 586-777-7947  
[www.DetroitMuscleTechnologies.com](http://www.DetroitMuscleTechnologies.com)

# B Body 62-65

## 65 Belvedere / Satellite Exterior Gaskets

01	65 Belvedere parking light gaskets (pair)	BBE6565PL01	\$8.00
02	62-65 B Body door handle gaskets (set, black firm rubber handle to door gaskets including teardrop end to door gasket)	BXX6265DH01	\$6.00
03	62-66 A/B Twin post mirror gaskets (pair) (63-66 A Body, 62-65 B Body)	ABX6266MI02	\$10.00
04	62-65 B Body weathers-strip channel (two 1/8"x3/4"x72" white rolls)	BXX6265DR01	\$10.00
05	62-65 A/B lock gaskets (firm black rubber lock gaskets)	GEN6265LK01	\$2.00
06	65 Belvedere taillight gasket set (with two 29" pieces of "G" shaped trim for housing edges)	BBE6565TL01	\$30.00
07	63-65 Belvedere license plate light gaskets (pair)	BBE6365LP01	\$6.00
08	63-65 Belvedere reverse light gasket set	BBE6365RL01	\$10.00
09	62-72 lock gasket (small gray plastic, 67-76 door locks, 62-72 trunk locks, 73-76 trunk lock is different / larger)	GEN6272LK01	\$1.00

**NOTE: We also have to following for your make / model;**

- A/C & Non A/C Firewall gasket sets
- A/C & Non A/C Heater box restoration gasket kits
- Firewall insulation, kickpanel insulation, shoddy pad
- Rubber splash shields sets



23624 Roseberry Ave Warren, MI 48089 586-777-7167 fax 586-777-7947  
[www.DetroitMuscleTechnologies.com](http://www.DetroitMuscleTechnologies.com)

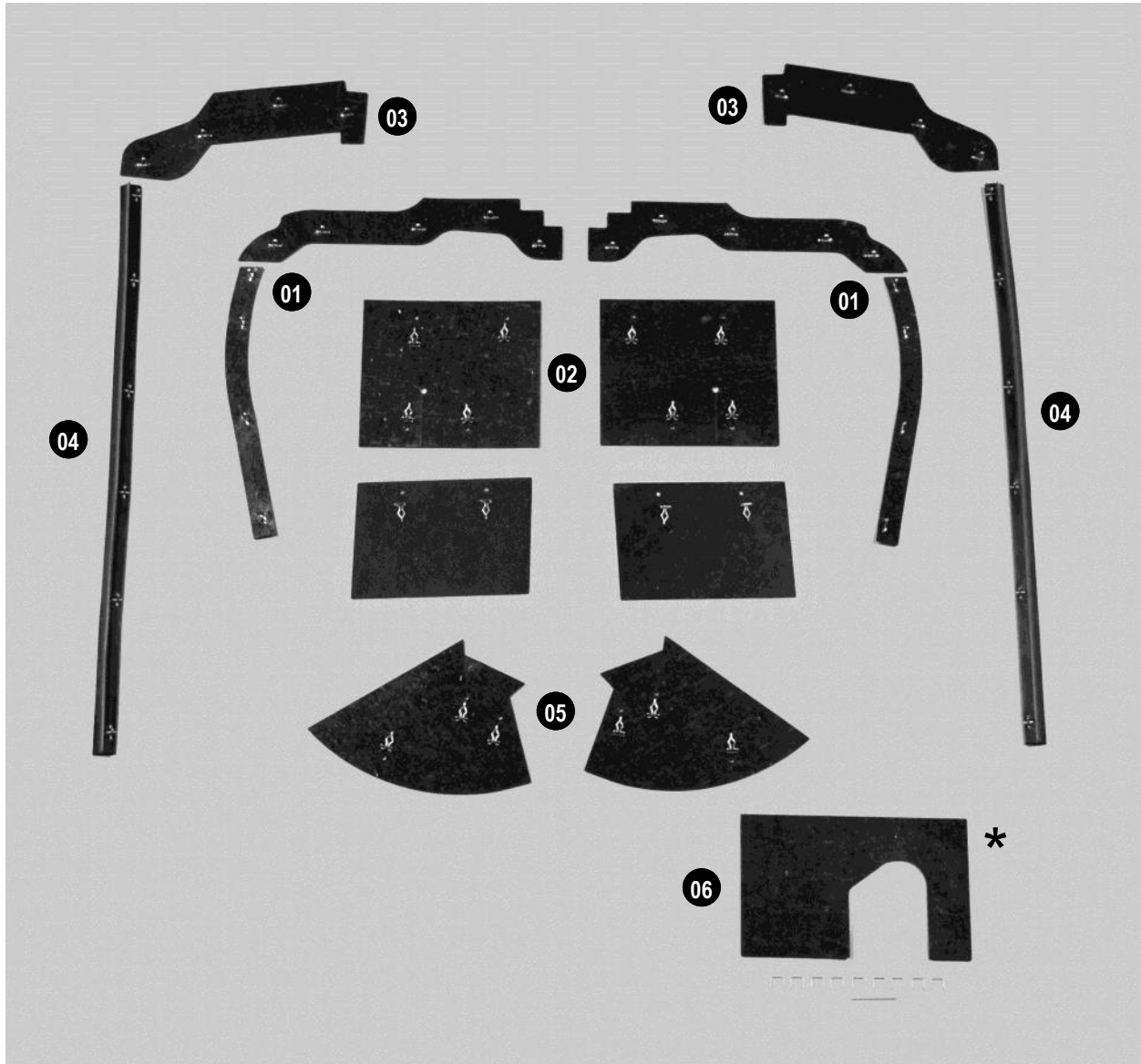


## B Body 62-65

63 Savoy / Belvedere / Fury MEGA Splash Shield Set

BBE6363SS90 \$83.00 (auto trans)

BBE6363SS91 \$71.00 (manual trans)



\* AUTO trans use the starter / auto trans linkage splash shield.  
Manual trans cars don't have this.

# B Body 62-65

## 63 Savoy / Belvedere / Fury Splash Shields

<b>01</b>	<b>63 Belvedere headlight splash shields</b> (with OEM style stainless steel staples installed, pair)	<b>BBE6363SS10</b>	<b>\$24.00</b>
<b>02</b>	<b>62-63 B Body rear splash plate top splash shields</b> (with OEM style stainless steel staples installed, pair)	<b>BXX6263SS81</b>	<b>\$12.00</b>
<b>03</b>	<b>63 Belvedere rear splash shield side strips</b> (with OEM style stainless steel staples installed, pair)	<b>BBE6363SS82</b>	<b>\$21.00</b>
<b>04</b>	<b>63-66 A Body, 62-65 B Body starter / auto linkage splash shield</b> <b>FOR AUTO TRANS CARS ONLY</b> (with 9 OEM style stainless steel staples and drill)	<b>ABX6266SS70</b>	<b>\$12.00</b>
<b>05</b>	<b>62-65 B Body front frame rail splash shields</b> (with 8 OEM style stainless steel staple/clips)	<b>BXX6265SS50</b>	<b>\$8.00</b>
<b>06</b>	<b>62-65 B Body rear frame rail splash shields</b> (with 4 OEM style stainless steel staple/clips)	<b>BXX6265SS51</b>	<b>\$8.00</b>
<b>07</b>	<b>62-65 B Body rear frame rail to firewall splash shields</b> (with 6 OEM style stainless steel staple/clips)	<b>BXX6265SS60</b>	<b>\$8.00</b>



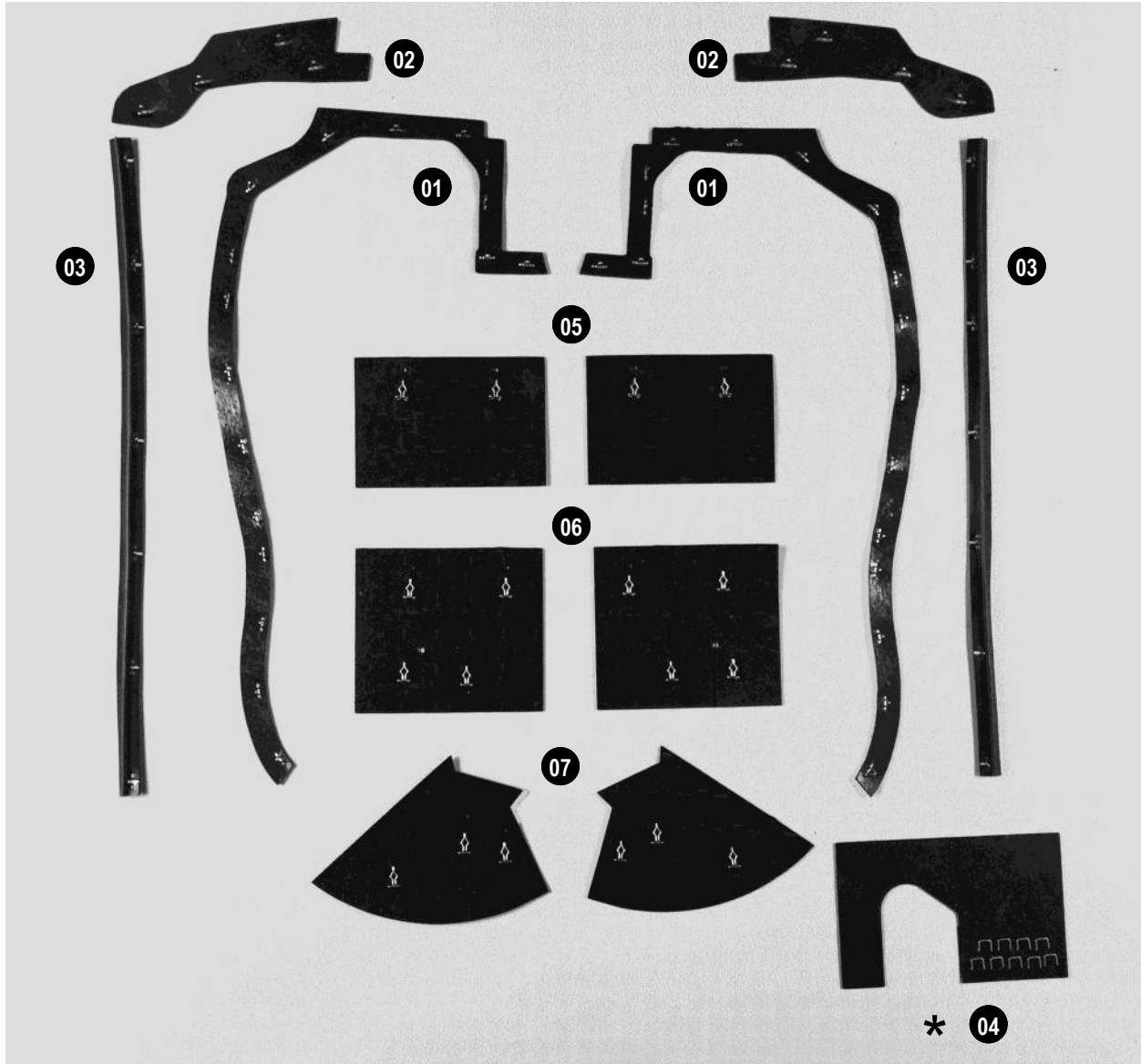
23624 Roseberry Ave Warren, MI 48089 586-777-7167 fax 586-777-7947  
[www.DetroitMuscleTechnologies.com](http://www.DetroitMuscleTechnologies.com)

## B Body 62-65

64 Savoy / Belvedere / Fury MEGA Splash Shield Set

BBE6464SS90 \$84.00 (auto trans)

BBE6464SS91 \$73.00 (manual trans)



\* AUTO trans cars have this starter / auto trans linkage splash shield

# B Body 62-65

## 64 Savoy / Belvedere / Fury Splash Shields

<b>01</b>	<b>64 Belvedere headlight splash shields</b> (with OEM style stainless steel staples installed, pair)	<b>BBE6464SS10</b>	<b>\$24.00</b>
<b>02</b>	<b>64-65 B Body rear splash plate top splash shields</b> (with OEM style stainless steel staples installed, pair)	<b>BXX6465SS81</b>	<b>\$12.00</b>
<b>03</b>	<b>64-65 B Body (NOT 64 Dodge) rear splash shield side strips</b> (with OEM style stainless steel staples installed, pair)	<b>BXX6465SS82</b>	<b>\$21.00</b>
<b>04</b>	<b>63-66 A Body, 62-65 B Body starter / auto linkage splash shield</b> <b>FOR AUTO TRANS CARS ONLY</b> (with 9 OEM style stainless steel staples and drill)	<b>ABX6266SS70</b>	<b>\$12.00</b>
<b>05</b>	<b>62-65 B Body front frame rail splash shields</b> (with 8 OEM style stainless steel clips)	<b>BXX6265SS50</b>	<b>\$8.00</b>
<b>06</b>	<b>62-65 B Body rear frame rail splash shields</b> (with 4 OEM style stainless steel clips)	<b>BXX6265SS51</b>	<b>\$8.00</b>
<b>07</b>	<b>62-65 B Body rear frame rail to firewall splash shields</b> (with 6 OEM style stainless steel clips)	<b>BXX6265SS60</b>	<b>\$8.00</b>



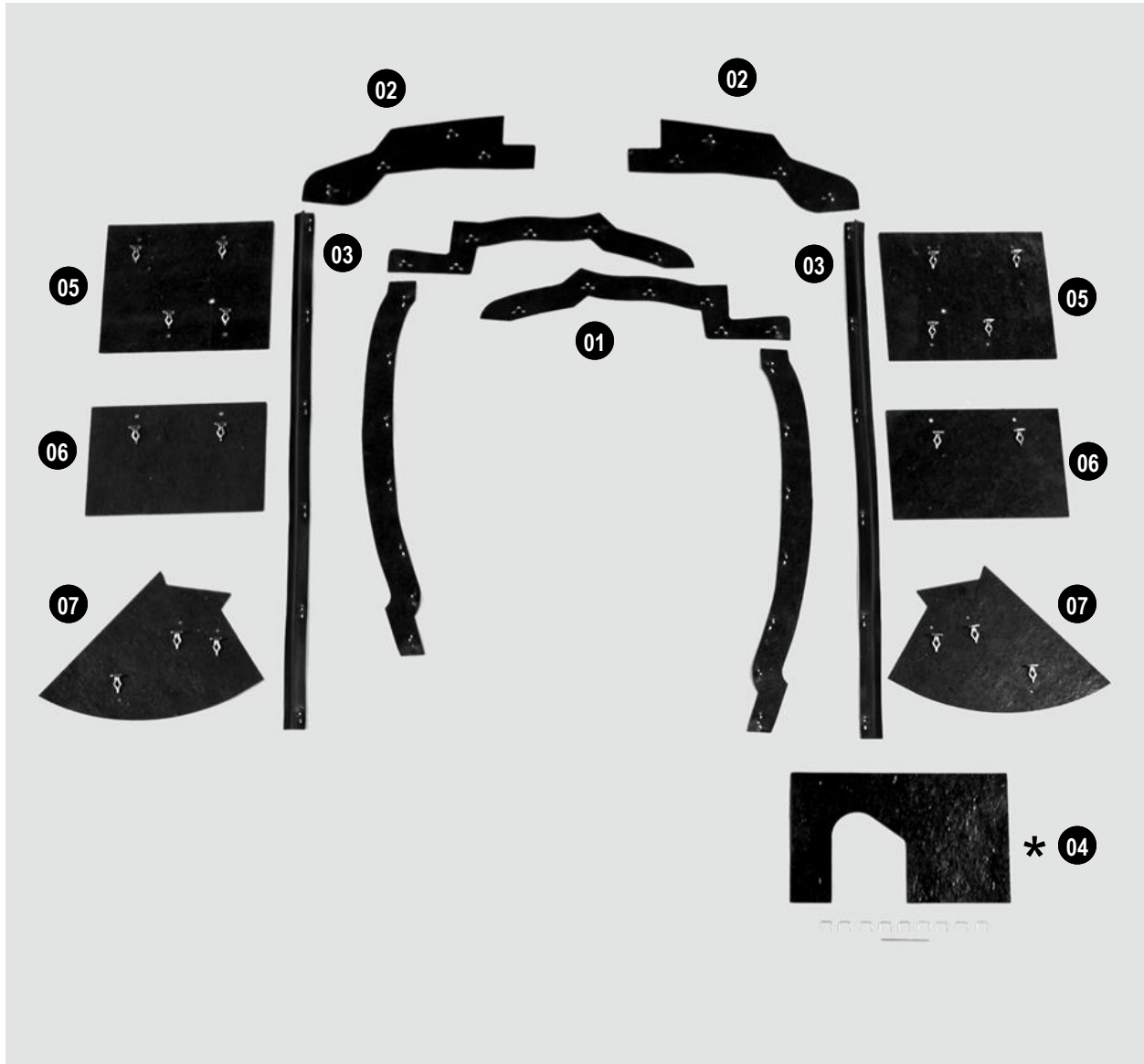
23624 Roseberry Ave Warren, MI 48089 586-777-7167 fax 586-777-7947  
[www.DetroitMuscleTechnologies.com](http://www.DetroitMuscleTechnologies.com)

# B Body 62-65

65 Belvedere / Satellite MEGA Splash Shield Set

BBE6565SS90 \$84.00 (auto trans)

BBE6565SS91 \$73.00 (manual trans)



\* AUTO trans cars have this starter / auto trans linkage splash shield

# B Body 62-65

## 65 Belvedere / Satellite Splash Shields

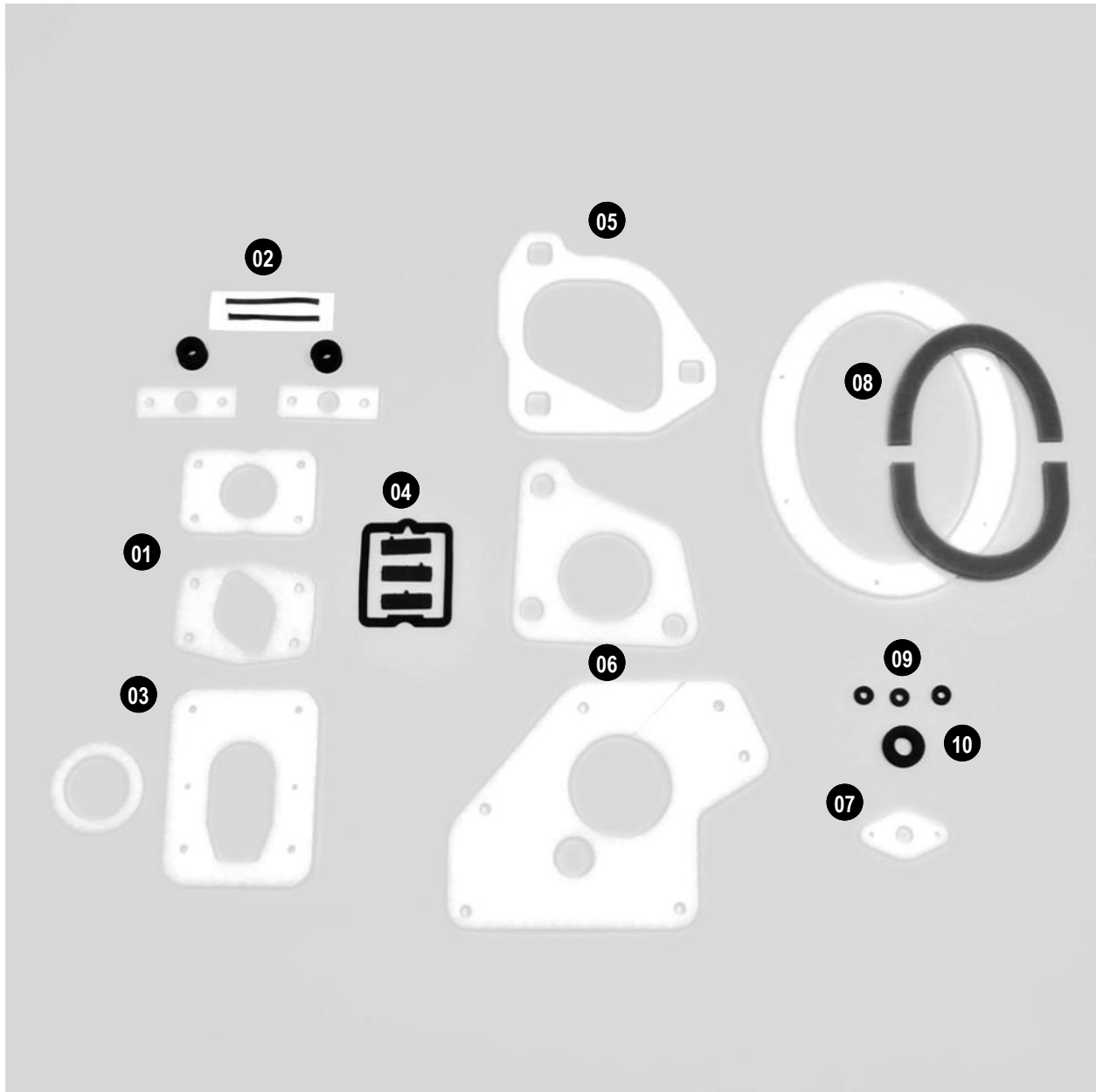
<b>01</b>	<b>65 Belvedere headlight splash shields</b> (with OEM style stainless steel staples installed, pair)	<b>BBE6565SS10</b>	<b>\$24.00</b>
<b>02</b>	<b>64-65 B Body rear splash plate top splash shields</b> (with OEM style stainless steel staples installed, pair)	<b>BXX6465SS81</b>	<b>\$12.00</b>
<b>03</b>	<b>64-65 B Body (NOT 64 Dodge) rear splash shield side strips</b> (with OEM style stainless steel staples installed, pair)	<b>BXX6465SS82</b>	<b>\$21.00</b>
<b>04</b>	<b>63-66 A Body, 62-65 B Body starter / auto linkage splash shield</b> <b>FOR AUTO TRANS CARS ONLY</b> (with 9 OEM style stainless steel staples and drill)	<b>ABX6266SS70</b>	<b>\$12.00</b>
<b>05</b>	<b>62-65 B Body front frame rail splash shields</b> (with 8 OEM style stainless steel staple/clips)	<b>BXX6265SS50</b>	<b>\$8.00</b>
<b>06</b>	<b>62-65 B Body rear frame rail splash shields</b> (with 4 OEM style stainless steel staple/clips)	<b>BXX6265SS51</b>	<b>\$8.00</b>
<b>07</b>	<b>62-65 B Body rear frame rail to firewall splash shields</b> (with 6 OEM style stainless steel staple/clips)	<b>BXX6265SS60</b>	<b>\$8.00</b>



23624 Roseberry Ave Warren, MI 48089 586-777-7167 fax 586-777-7947  
[www.DetroitMuscleTechnologies.com](http://www.DetroitMuscleTechnologies.com)

# B Body 62-65

AC & Non AC Firewall Gasket Set BXX6265FW01 \$30.00



# B Body 62-65

## B Body 62-65 Non AC & AC Firewall Gaskets

<b>01</b>	<b>Generic master cylinder gaskets set</b> (2p to cover all different applications)	<b>GEN6265MC01</b>	<b>\$4.00</b>
<b>02</b>	<b>A Body 63-66, B Body 62-65 wiper pivot to cowl seals</b> (white poly foam, firm blk foam donuts, butyl caulk sealing strips)	<b>AB6266WP01</b>	<b>\$10.00</b>
<b>03</b>	<b>66-70 B Body brake booster to firewall gasket</b> (white poly foam and donut for brake booster)	<b>BXX6265BB01</b>	<b>\$4.00</b>
<b>04</b>	<b>B Body 62-65 electrical bulkhead connector seal set</b> (black foam rubber with connector terminal inserts)	<b>BXX6265BH01</b>	<b>\$6.00</b>
<b>05</b>	<b>B Body 62-64 steering column to firewall seal</b> (white poly foam)	<b>BXX6264SC01</b>	<b>\$4.00</b>
<b>06</b>	<b>B Body 65 2pc steering column to firewall seal</b> (2pc white poly foam)	<b>BXX6565SC01</b>	<b>\$5.00</b>
<b>07</b>	<b>B Body 62-65 accel pedal to firewall gasket</b> (white poly diamond shaped)	<b>BXX6265AP01</b>	<b>\$1.00</b>
<b>08</b>	<b>B Body 62-65 pass side fresh air vent foams</b> (white poly oval seals vent to cowl, thick semi circle charcoal foams seal opposite sides of the vent door)	<b>BXX6265FV01</b>	<b>\$2.00</b>
<b>09</b>	<b>B Body 62-65 heater box studs to firewall seals</b> (black foam rubber donuts, 3pcs)	<b>N/A</b>	<b>N/A</b>
<b>10</b>	<b>B Body 62-65 heater box drain tube to firewall seals</b> (black foam rubber donut)	<b>N/A</b>	<b>N/A</b>





# B Body 62-65

## DODGE Firewall & kickpanel insulation (AC & Non AC)

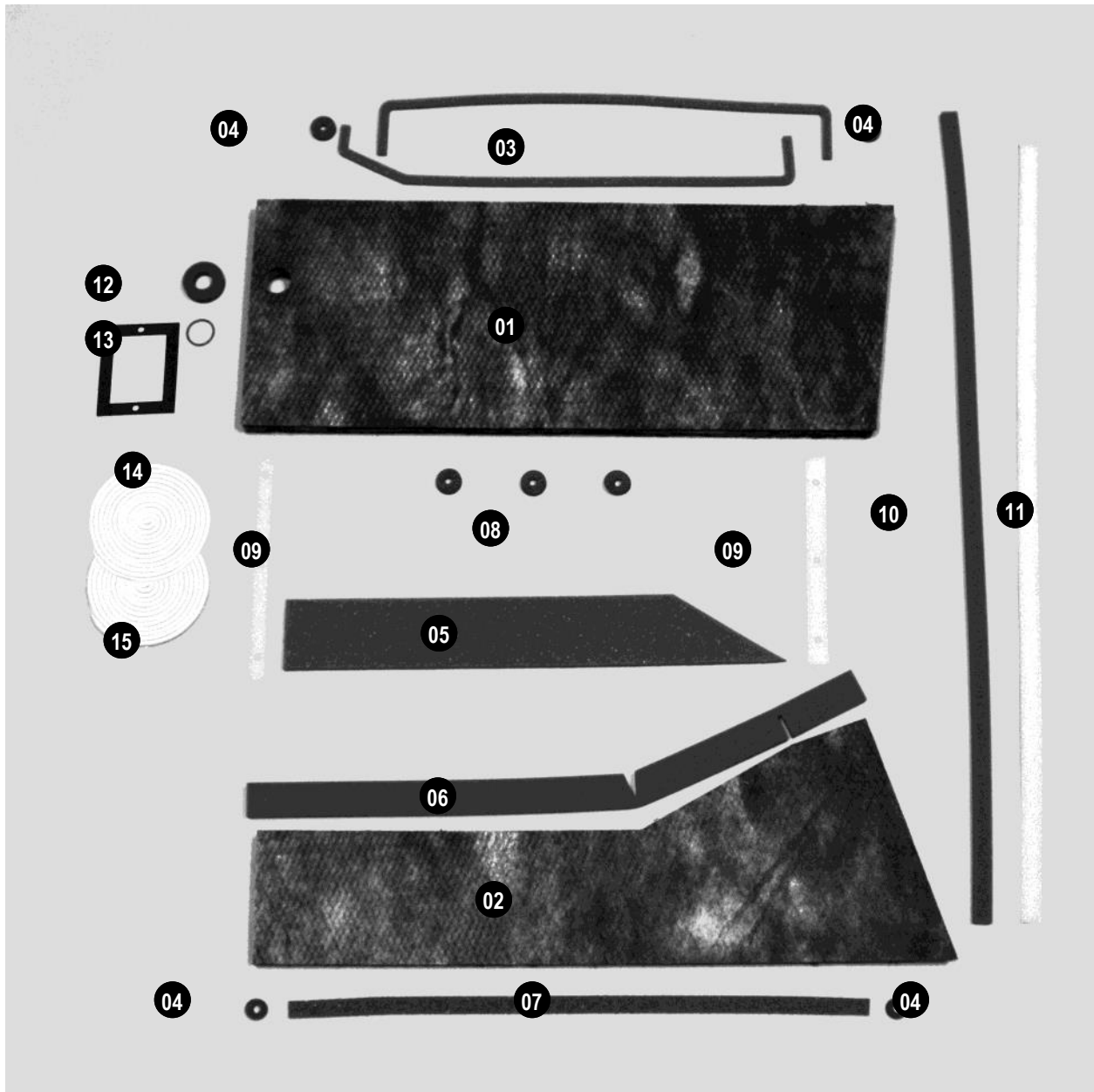


01	B Body 62-65 DODGE Firewall Insulation With (5) OEM style pins	BDO6265FI01	\$52.00
02	B Body 62-65 OEM style firewall insulation pins - EACH	GEN6265FP01-1	\$1.50



# B Body 62-65

Non A/C Heater Box Resto Kit BXX6265HB01 \$35.00



# B Body 62-65

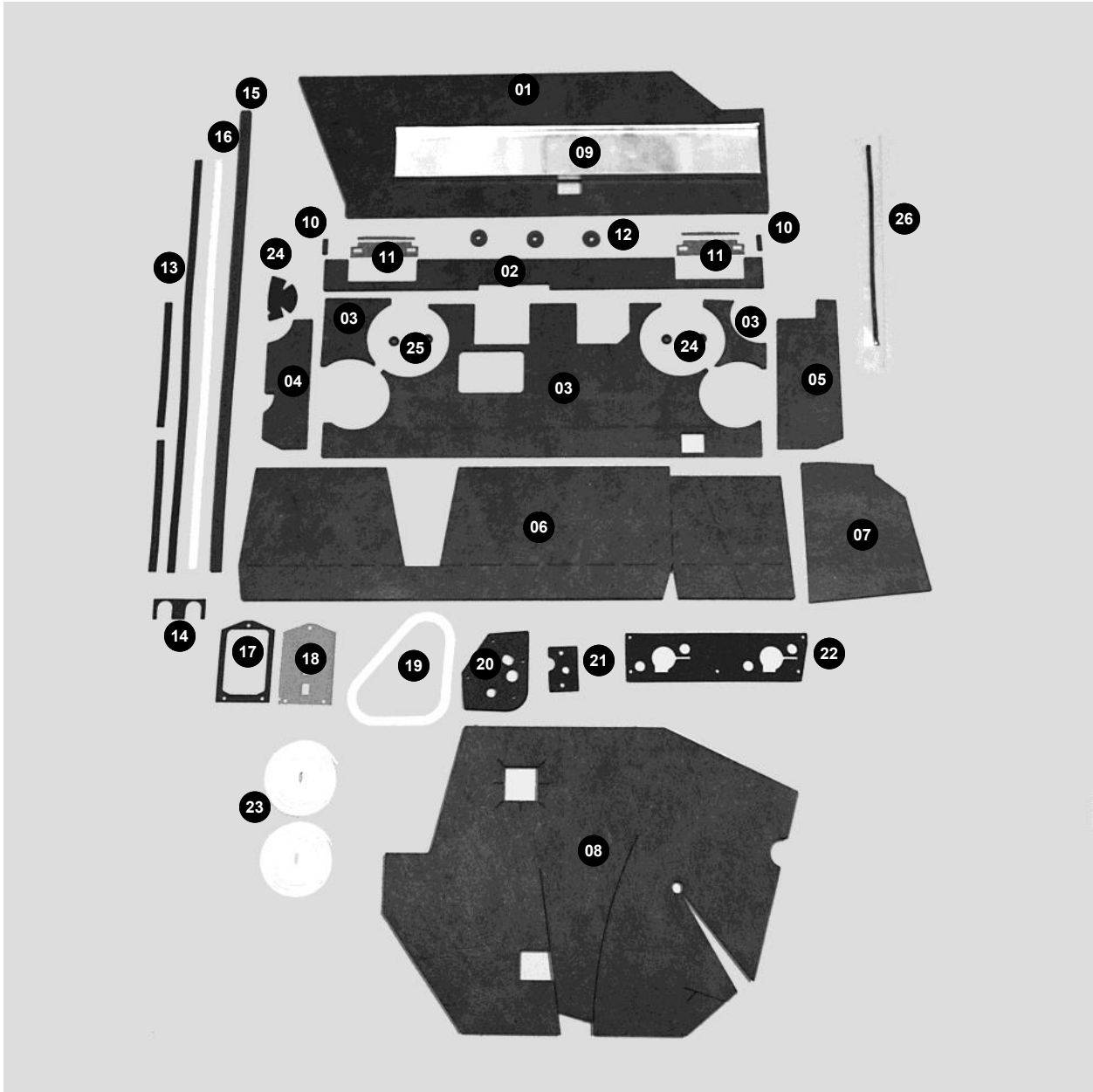
## Non AC Heater Box Gaskets

- 01 Top vent shaft seals. 1/4" T black foam rubber donuts
- 02 Top vent edge seals. 1/4" T charcoal foam.  
Note: These 2 strips are on a larger piece of foam. Check orientation then spray with 3M 77 adhesive while still attached to larger piece of foam. This will prevent adhesive from getting on sides of foam strips.
- 03 Heater core tube to firewall seal (rear of box). .312" T black foam rubber donut.
- 04 Heater core tube to valve o-ring
- 05 Rear interior heater box wall insulation. 3/4" black mat faced, fiberglass.
- 06 Heater box mounting std seals. 1/4" T black foam rubber donuts.
- 07 Fresh air inlet corrugated tube to cowl seal. 3/8" T charcoal foam strip.  
Note: Like the note above, spray with 3M 77 adhesive while still attached to larger piece of foam. This will prevent adhesive from getting on sides of foam strips. Then attach to the fresh air inlet metal frame that's attaches to the large, black flexible tube.
- 08 (2) rolls of white rope caulk to seal gaps and holes in heater box and to seal heater box plate.
- 09 Sealing strips on attachment ends of heater core. 1/8" T white poly foam.
- 10 Lower heater core foam seal attached to main box. 1/4" T charcoal foam.
- 11 Upper heater core foam seal attached to front plate. 1/2" T charcoal foam.
- 12 Front plate interior insulation. 1/2" black mat faced, fiberglass.
- 13 Inner metal deflector shaft seals. 1/4" T black foam rubber donuts
- 14 Inner metal deflector edge seal. 1/8" T charcoal foam.
- 15 Blower resistor to box seal. 3/32" T black foam rubber.
- 16 Fresh air inlet corrugated tube frame to cowl seal. 1/8" T white poly foam strip.  
Note: Like the note above, spray with 3M 77 adhesive. Attach to the inside of the fresh air tube to cowl 'clamp'. Make sure the ends of this foam strip are lined up with the gap in the clamp.



# B Body 62-65

AC Heater Box Resto Kit BXX6265HB10 \$95.00



23624 Roseberry Ave Warren, MI 48089 586-777-7167 fax 586-777-7947  
[www.DetroitMuscleTechnologies.com](http://www.DetroitMuscleTechnologies.com)

# B Body 62-65

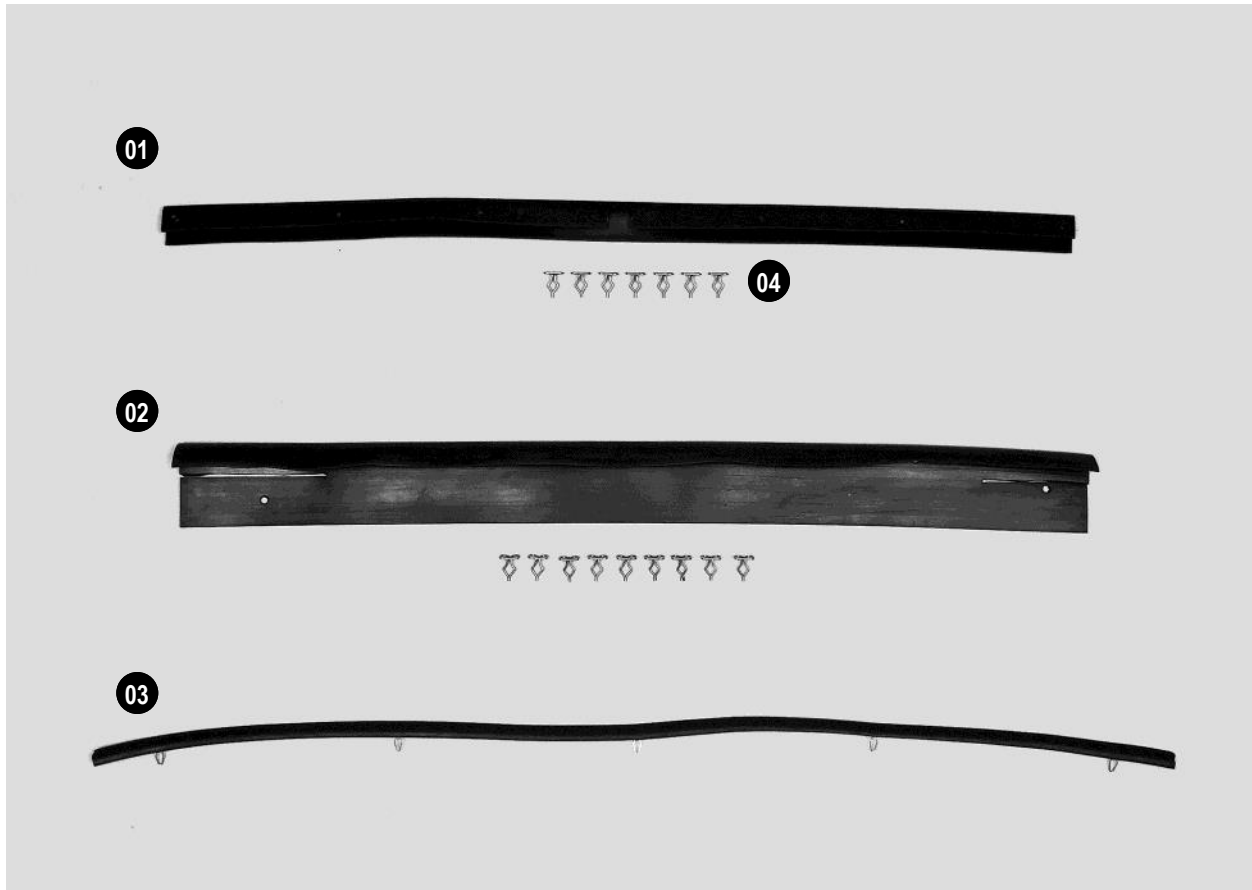
## AC Heater Box Gaskets

- 01 Cover plate top insulation piece. 3/8" black matt faced insulation.
- 02 Main box lower frt edge insulation piece by 2 small doors. 1/4" black matt faced insulation.
- 03 Cover plate front insulation piece. 1/4" black matt faced insulation.
- 04 Main box LH side insulation piece. 1/4" black matt faced insulation
- 05 Main box RH side insulation piece. 1/4" black matt faced insulation
- 06 Main box bottom insulation piece. 3/8" black matt faced insulation
- 07 Main box RH side insulation piece - goes under piece #05. 1/4" black matt faced insulation
- 08 Lower external fiberglass kick plate insulation. 3/8" black matt faced insulation.
- 09 Aluminum "pan" that sits on top of evaporator. 3-1/4"W, 1/2" sides, 19-1/8"L aluminum.  
(NOTE: See #25 below - black butyl caulk strip)
- 10 (2) bumpers for long rubber covered main box door. 1/8"Tx3/16"Wx7/8"L firm black foam rubber
- 11 Main box (2) lower door foams. 1/8" adhesive backed charcoal foam.
- 12 (3) Heater box mounting std seals. 1/4"T black foam rubber donuts.
- 13 Heater core sealing strips.  
(2) 1/4"T x .375"W x 6.75"L and (1) 1/4"T x .375"W x 22.50"L black foam rubber strips.  
To be attached with weatherstrip adhesive or may be supplied adhesive backed.
- 14 Heater core tube bracket to rubber door seal. 3/32"T black foam rubber
- 15 Fresh air inlet corrugated tube to cowl seal. 3/8"T charcoal foam strip.  
Note: Like the note above, spray with 3M 77 adhesive while still attached to larger piece of foam.  
This will prevent adhesive from getting on sides of foam strips. Then attach to the fresh air inlet metal frame that's attaches to the large, black flexible tube.
- 16 Fresh air inlet corrugated tube frame to cowl seal. 1/8"T white poly foam strip.  
Note: Like the note above, spray with 3M 77 adhesive. Attach to the inside of the fresh air tube to cowl 'clamp'. Make sure the ends of this foam strip are lined up with the gap in the clamp.
- 17 Resistor plate seal. 3/32"T black foam rubber
- 18 Resistor plate electrical tab insulation. 1/32" gray paper to be attached with 3M 77 spray adhesive.
- 19 A/C tube sealing plate to firewall seal. 3/16"T white poly foam to be attached with 3M 77 spray adhesive.
- 20 A/C tube s to sealing plate seal. 1/4"T black foam rubber.
- 21 A/C tube sealing plate to temp sensing tube plate seal. 1/8"T black foam rubber.
- 22 Temp sensors/controls plate to cover plate seal. 1/8"T black foam rubber.
- 23 (2) rolls of off white rope caulk to seal small cup shaped box piece to main box. Also to seal top cover to main box perimeter.
- 24 Foam rubber insulation piece to be glued to back of small cup shaped box piece. 1/8"T black foam rubber to be attached with 3M 77 spray adhesive.
- 25 (4) rubber grommets for round vent door screws.
- 26 Strip of black butyl tape to be placed on top of evaporator before installing alum tray. This will prevent tray from rattling. (Note: Not used by the factory in this application but was used on other years and models)



# B Body 62-65

## Hood & cowl seals



01	<b>B Body 63-65 NARROW Hood to radiator seal</b> with (7) OEM style <b>STAINLESS STEEL</b> clips Narrow seal was used on 6 cyl and 318 cars	<b>BXX6365HS01</b>	<b>\$35.00</b>
02	<b>B Body 73-74 Hood to radiator seal</b> with (9) OEM style <b>STAINLESS STEEL</b> clips Wide seal was used on high performance and AC cars	<b>BXX6365HS02</b>	<b>\$39.00</b>
03	<b>B Body 62-65 Hood to cowl seal</b> With OEM style <b>STAINLESS STEEL</b> clips already installed	<b>BXX6265CS01</b>	<b>\$39.00</b>
04	<b>OEM style STAINLESS STEEL clips EACH</b>	<b>GEN6265HS01-1</b>	<b>\$1.00</b>

# B Body 62-65

## Door seals



**ALP7003**

**\$37.00**

**B 62 door end seal**

There were no pillar seals on these early cars



**ALP7006**

**\$45.00**

**B 63-65 door end seal**

There were no pillar seals on these early cars



**ALP27A**

**\$45.00**

**A 63-66, B 62-63 2DHT & CONV Wing / Vent window outer seal**

Glues to outer edge of vent window frame



**ALP27**

**\$45.00**

**B 64-65 2DHT & CONV Wing / Vent window outer seal**

Glues to outer edge of vent window frame



# B Body 62-65

## Door seals



**ALP27B** \$45.00  
**B 62-65 SEDAN Wing / Vent window outer seal**  
Glues to outer edge of vent window frame



**RR4003** \$125.00  
**B 62-63 2DHT Roof rail seal**



**RR4006** \$75.00  
**B 64-65 2DHT Roof rail seal**



**VS7-A (not flocked)** \$25.00  
**ALL 62-67 rear qtr window leading edge seal**

# B Body 62-65

## Door & trunk seals



**VS7-A/FL (flocked)** \$25.00  
ALL 62-67 rear qtr window leading edge seal



**LM23G-BLK** \$125.00  
B 62-65 2DHT & CONV Door windlace - 20ft



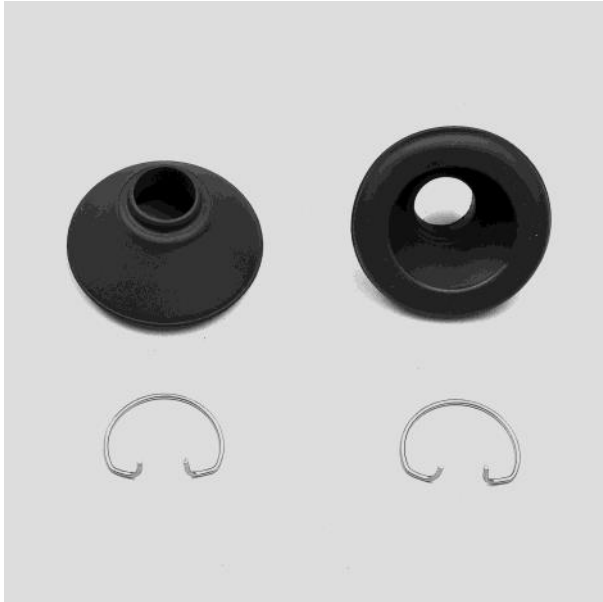
**LM23H-BLK** \$145.00  
B 62-65 2DSD Door windlace - 26ft



**TK64-A/18** \$17.00  
ALL 62-72 18' "Y" shaped trunk seal

# B Body 62-65

misc



**GEN6676TB01** **\$29.00**  
A 62-76, B 62-72, E 70-74 Torsion bar boots with **STAIN-LESS STEEL** clips  
Will not fit C body or 73-74 B Body



**GEN6276AC01** **\$6.00**  
**Air cleaner lid seal**  
All 62-76 models—56" long  
Will fit everything from a 6cyl to a dual snorkel



**GEN6274TG01** **\$38.00**  
**Generic fuel/ gas tank grommet**  
67-74 A Body, 62-69 B Body, 71-74 B Body

# B Body 62-65

## Body bumper sets



**BXX6263BB01 - BBK40** \$35.00

**B Body 62 All, 63 PLYMOUTH Body bumper set**  
All hood, door, deck lid, etc body bumpers



**BDO6363BB01 - BBK42** \$35.00

**B Body 63 DODGE Body bumper set**  
All hood, door, deck lid, etc body bumpers



**BDO6464BB01 - BBK44** \$35.00

**B Body 64 DODGE Body plug set**  
All floor, trunk, qtr panel, etc body plugs

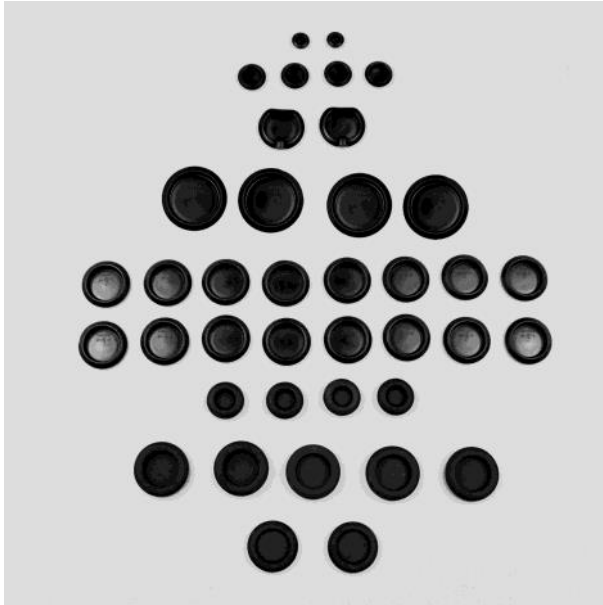


**BXX6565BP01 - BBK48** \$35.00

**B Body 65 All Body plug set**  
All floor, trunk, qtr panel, etc body plugs

# B Body 62-65

## Body plug sets



**BXX6263BP01 - BPK19**

**\$35.00**

**B Body 62-63 All Body plug set**

All floor, trunk, qtr panel, etc body plugs



**BXX6465BP01 - BPK18**

**\$35.00**

**B Body 64-65 All body plug set**

All floor, trunk, qtr panel, etc body plugs

